



Zelon CFS

2501 / 2501 DO / 2901 / 2901
DO / 3301 / 3301 DO

B. Strautmann & Söhne GmbH u. Co. KG

Maschinenfabrik

Bielefelder Str. 53

D - 49196 Bad Laer

Germany

Phone: ++ 49 (0) 5424-802-0

Fax: ++ 49 (0) 5424-802-64

E-Mail: kontakt@strautmann.com

Internet: www.strautmann.com

Contents

pick-up-drum.....	6
pick-up suspension and drive.....	10
pick-up chassis.....	16
pick-up additional chassis.....	18
pick-up holding-down device.....	22
rotor with drive.....	26
main gearbox.....	34
central lubrication conveying unit.....	36
CFS-drum with drive.....	38
frame stripper and conveying trough.....	42
guards for conveying unit.....	44
cutting unit.....	48
transport floor.....	54
transport floor tensioner.....	56
transport floor drive.....	58
feed gearing.....	62
platform and wooden floor.....	66
front panel and side panel bottom to 2014.....	68
front panel and side panel bottom from 2014.....	72
hatch and ladder.....	76
body attachment Zelon CFS.....	80
body attachment Zelon CFS DO.....	84
lattice grid attachment Zelon CFS.....	88
automatic loading.....	92
tailgate without DO.....	94
telescopic tailgate w/o DO.....	98
beater unit.....	102
beater unit gear rear.....	108
beater unit drive.....	110
beater unit tailgate.....	116
crossover conveyor.....	120
supporting leg.....	126
drawbar.....	128
passive steering.....	132
chassis 12t.....	134
braking axle width 1900 mm.....	138

Contents

chassis 15t.....	140
braking axle width 1950 mm.....	144
steering axle width 1950 mm.....	146
chassis 18t.....	150
FAD braking axle width 2100.....	154
FAD steering axle width 2100	158
wing	162
hydraulic brake system.....	166
compressed-air brake system	170
parking brake with crank handle.....	174
electr.-hydr. easy-to-use control set.....	176
electr.-hydr. ISOBUS control set	178
cable harness	180
hydraulics control block	182
hydraulic control block	186
hydraulics pick-up.....	190
hydraulics cutting unit.....	192
hydraulics scraper floor	194
hydraulics tailgate Zelon CFS.....	196
hydraulics folding drawbar.....	198
hydraulics lattice grid body	200
lighting and accessories	202

Dear business partner,

You and the Strautmann company are always eager to satisfy our customers.

This also involves the fast supply of high-quality spare parts.

Please only use ORIGINAL STRAUTMANN SPARE PARTS to maintain the quality. All parts ensure an exact fit and highest resistance to wear which make them such good value for money!

Imitated and copied parts, especially wearing parts, do not keep what they promise at first glance. It is difficult to visually assess material qualities – so take utmost care with cheap offers:

Save your customers and yourself a lot of trouble. Be on the safe side and only use ORIGINAL STRAUTMANN SPARE PARTS!

Please take into consideration that we are continuously further developing our machines and spare parts for you and modifications in the spare parts lists or on the spare parts on offer may occur.

We constantly provide up-to-date information and spare parts lists in our ONLINE CATALOGUE. Furthermore, our ONLINE CATALOGUE offers you a lot of useful functions such as filtering according to equipment options to obtain a safe and quick selection of the desired parts.

Our ONLINE CATALOGUE is available at www.Strautmann.de under Online Service - Technology-Center - Catalogue

Terms of delivery

Our general terms and conditions shall apply.

The delivery is always made ex works or ex stock plus packaging costs.

Any details given on technical data, dimensions, weights and illustrations shall not be binding.

The return of spare parts generally requires the previous approval by the staff of our spare parts warehouse. We shall charge restocking and handling fees for all returns. Please contact our staff in the spare parts warehouse in advance.

Any returns - also of parts supplied under warranty - shall be made carriage paid.

... directly to our staff ...

... Taking of orders

Mr. Heinz-Hermann Schobbe *Phone: ++ 49 (0) 5424-802-30*
Fax: ++ 49 (0) 5424-802-64
E-Mail: parts@strautmann.com

Mr. Stefan Missun *Phone: ++ 49 (0) 5424-802-30*
Fax: ++ 49 (0) 5424-802-64
E-Mail: parts@strautmann.com

Mr. Andreas Oevermann *Phone: ++ 49 (0) 5424-802-30*
Fax: ++ 49 (0) 5424-802-64
E-Mail: parts@strautmann.com

... Customer service and consulting

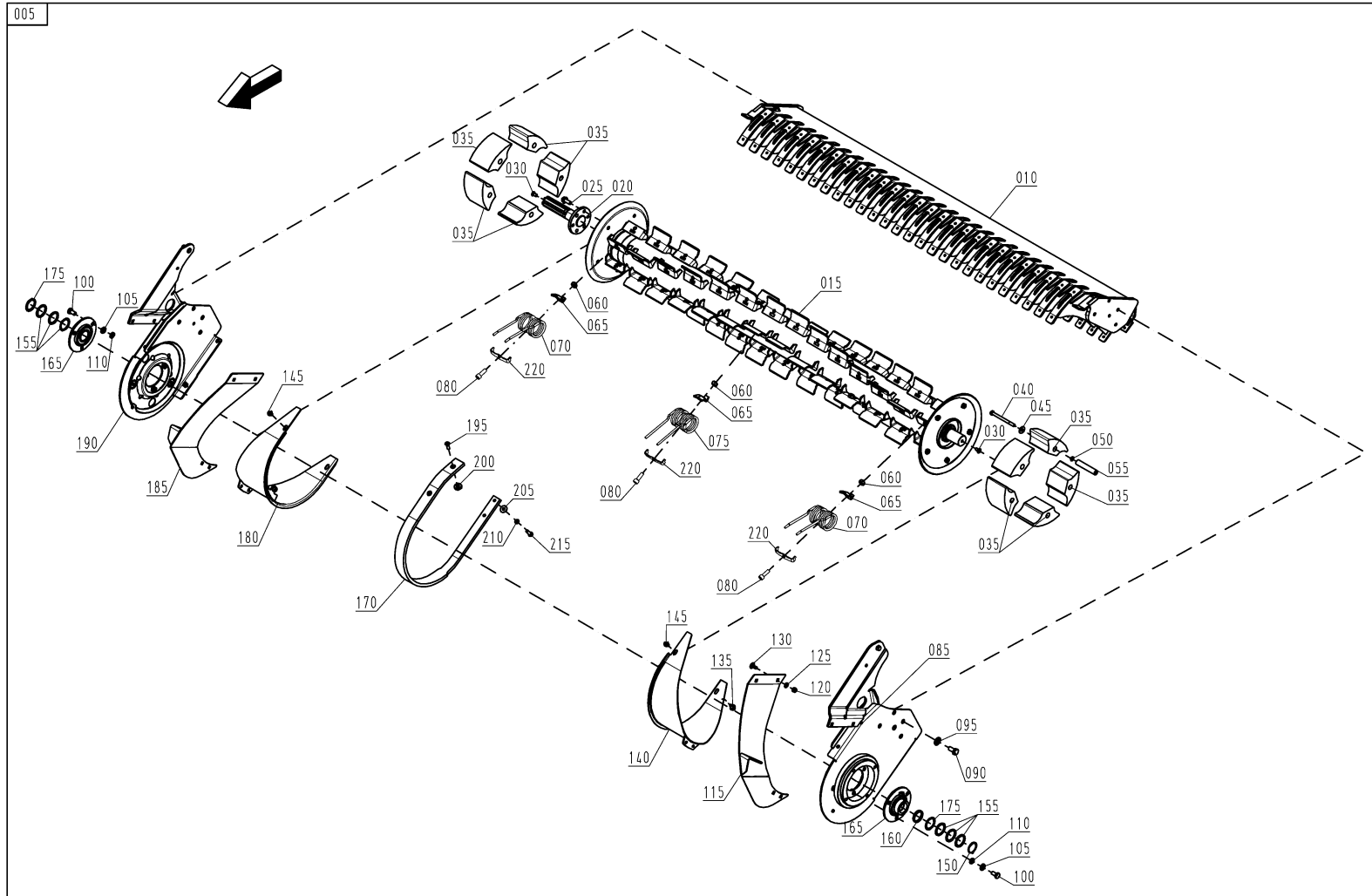
Mr. Dirk Werries *Phone: ++ 49 (0) 5424-802-29*
Fax: ++ 49 (0) 5424-802-9929
E-Mail: werries@strautmann.com

Mr. Bernd Buddenkotte *Phone: ++ 49 (0) 5424-802-29*
Fax: ++ 49 (0) 5424-802-99938
E-Mail: buddenkotte@strautmann.com

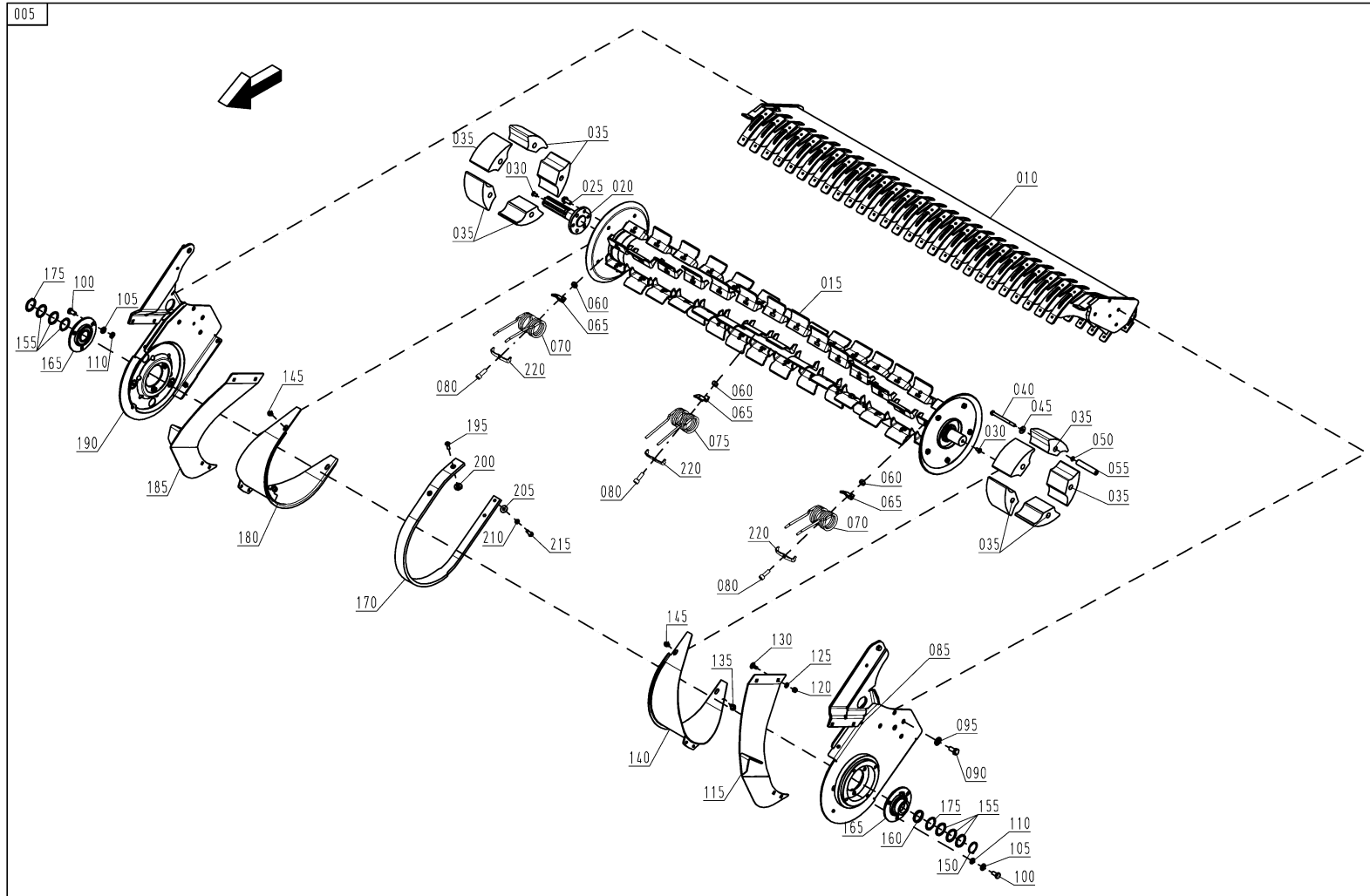
...Emergency phone...

... Customer service and spare parts

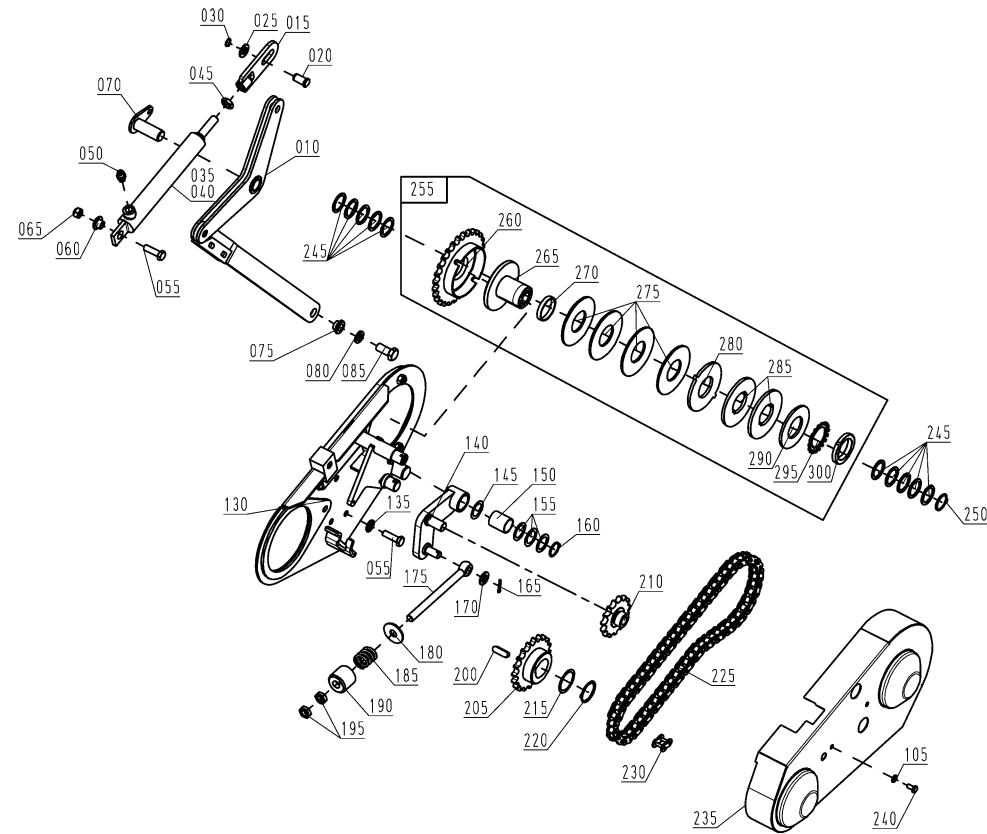
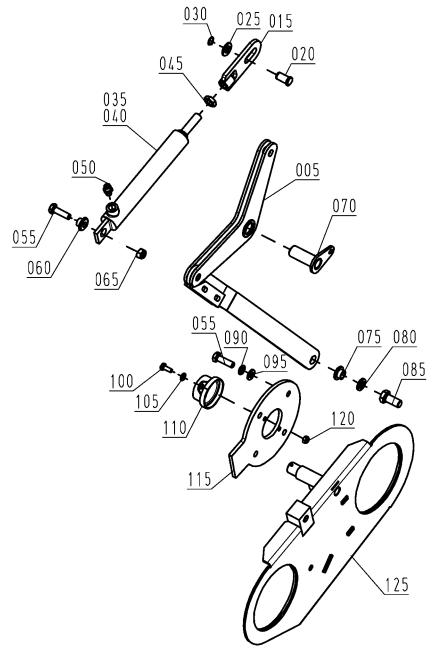
Phone. mobile: ++ 49 (0) 173 / 2546020



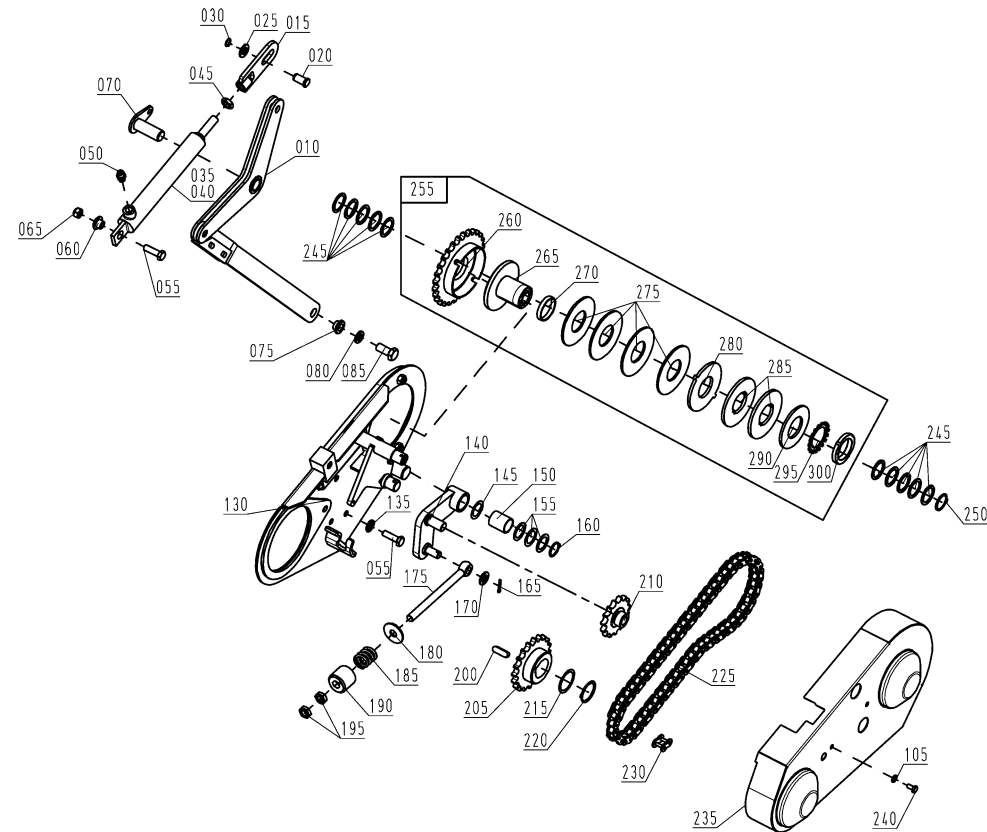
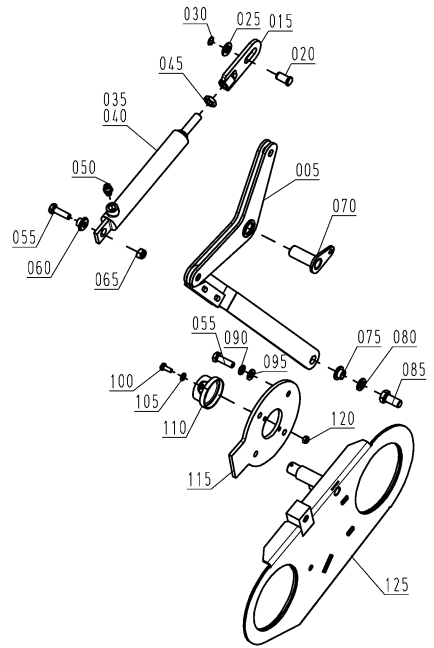
Pos.	Order No.	Pcs.	Description	Detailing	Dimension	Comment
005	74414607	1.0	pick-up cpl			
010	74414702	1.0	flexible frame tot			
015	74414704	1.0	PU tube tot			
020	73514102	1.0	driving journal		Rd 95 x 163	
025	86503693	6.0	Verbus-Tensilock screw		M 10 x 25	
030	86502731	2.0	flat-head screw galv		M 8 x 16	
035	74414501	10.0	support	Inkl. Bohrung Ø17mm	122,70 x 52,40	
040	86502101	10.0	hexagon screw ISO4014 galv		M 8 x 100	
045	86501105	10.0	washer ISO7093 galv		A 8,4	
050	86500938	10.0	serrated lock washer galv		A 8,4	
055	73714303	10.0	hinge tube		Ro 16 x 3,5 x 85,5	
060	86500304	70.0	hexagon nut ISO7040 galv		N M 10	
065	73514211	70.0	pressure plate		Bl 4 x 41,4 x 61	
070	73514502	10.0	spring-loaded tine		Rd Dr 6.3	
075	73514500	60.0	spring-loaded tine		Rd Dr 6.3	
080	86502417	70.0	cheese-head screw ISO4762 galv		M 10 x 30	
085	74414706	1.0	side element le tot			
090	86502090	4.0	hexagon screw ISO4017 galv		M 12 x 25	
095	86500918	4.0	contact washer 12.4x27.4		12,4 x 27,4	
100	86502027	6.0	hexagon screw ISO4017 galv		M 10 x 20	
105	86500904	6.0	contact washer 10.2x22.4		10,2 x 22,4	
110	86501106	6.0	washer ISO7089-A10.5 galv			
115	74414714	1.0	infeed plate le tot			
120	86500303	8.0	hexagon nut ISO7040 galv		N M 8	
125	86501116	8.0	washer ISO7089-A 8.4 galv			
130	86503004	8.0	round-head screw DIN603 galv		M 8 x 20	
135	86503577	4.0	Verbus-Tensilock screw galv		M 8 x 16	
140	74414712	1.0	guide plate le tot			



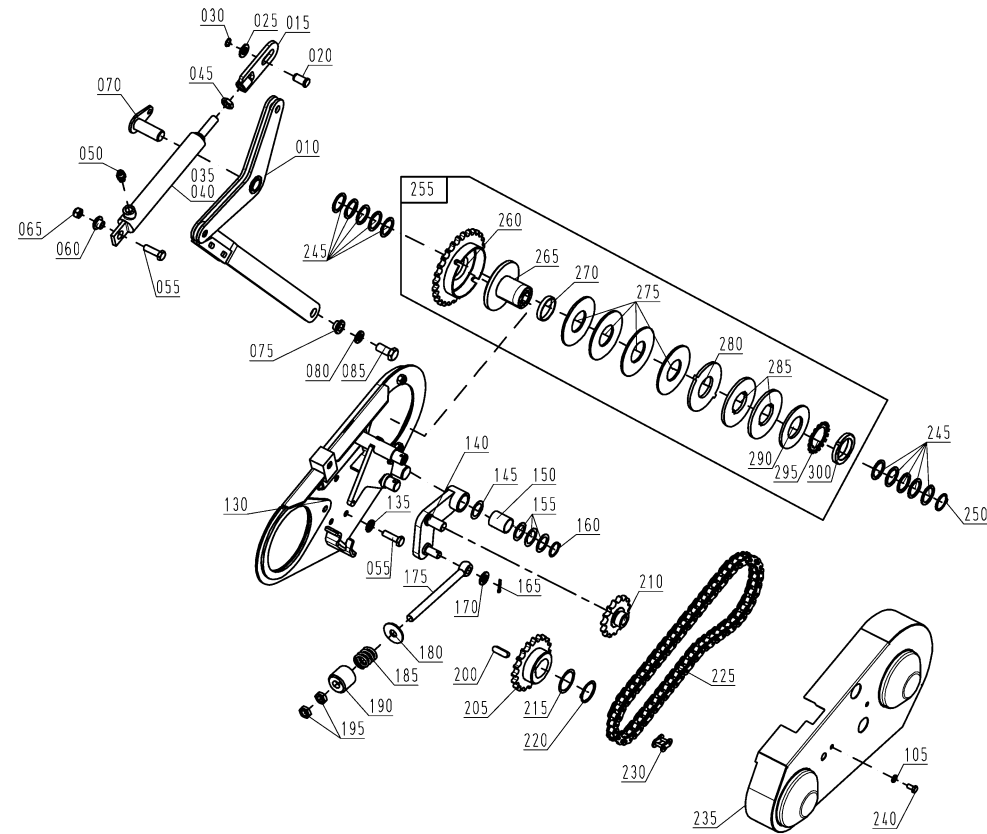
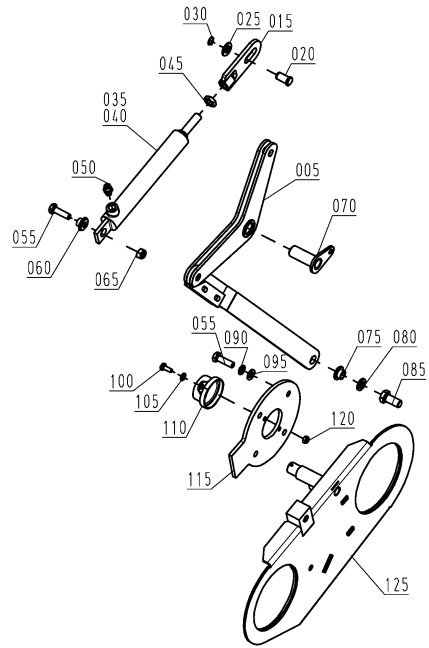
Pos.	Order No.	Pcs.	Description	Detailing	Dimension	Comment
145	28602524	2.0	rais counters head scr M8x16 w Torx T40		M 8 x 16	
150	86504556	1.0	circlip DIN471-A35x1.5			
155	86504905	6.0	adjusting washer		PS 35 x 45 x 2	
160	73214509	1.0	spacer ring			
165	87006608	2.0	bearing INA w steel-plated housing		GRA 35	
170	73514503	27.0	stripper		10 x 40 x 1013,2mm	
175	86504766	2.0	adjusting washer		PS 35 x 45 x 1	
180	74414713	1.0	guide plate ri tot			
185	74414715	1.0	infeed plate ri tot			
190	74414707	1.0	side element ri tot			
195	86502211	54.0	raised countersunk head screw		M 8 x 25	
200	73514110	54.0	spacer galv		Rd 25 h9 x 6,5	
205	86501105	54.0	washer ISO7093 galv		A 8,4	
210	86500753	54.0	spring washer DIN127 galv		A 8	
215	86502015	54.0	hexagon screw ISO4017 galv		M 8 x 25	
220	73514260	70.0	locking plate		Bl 3 x 23,1 x 109,1	



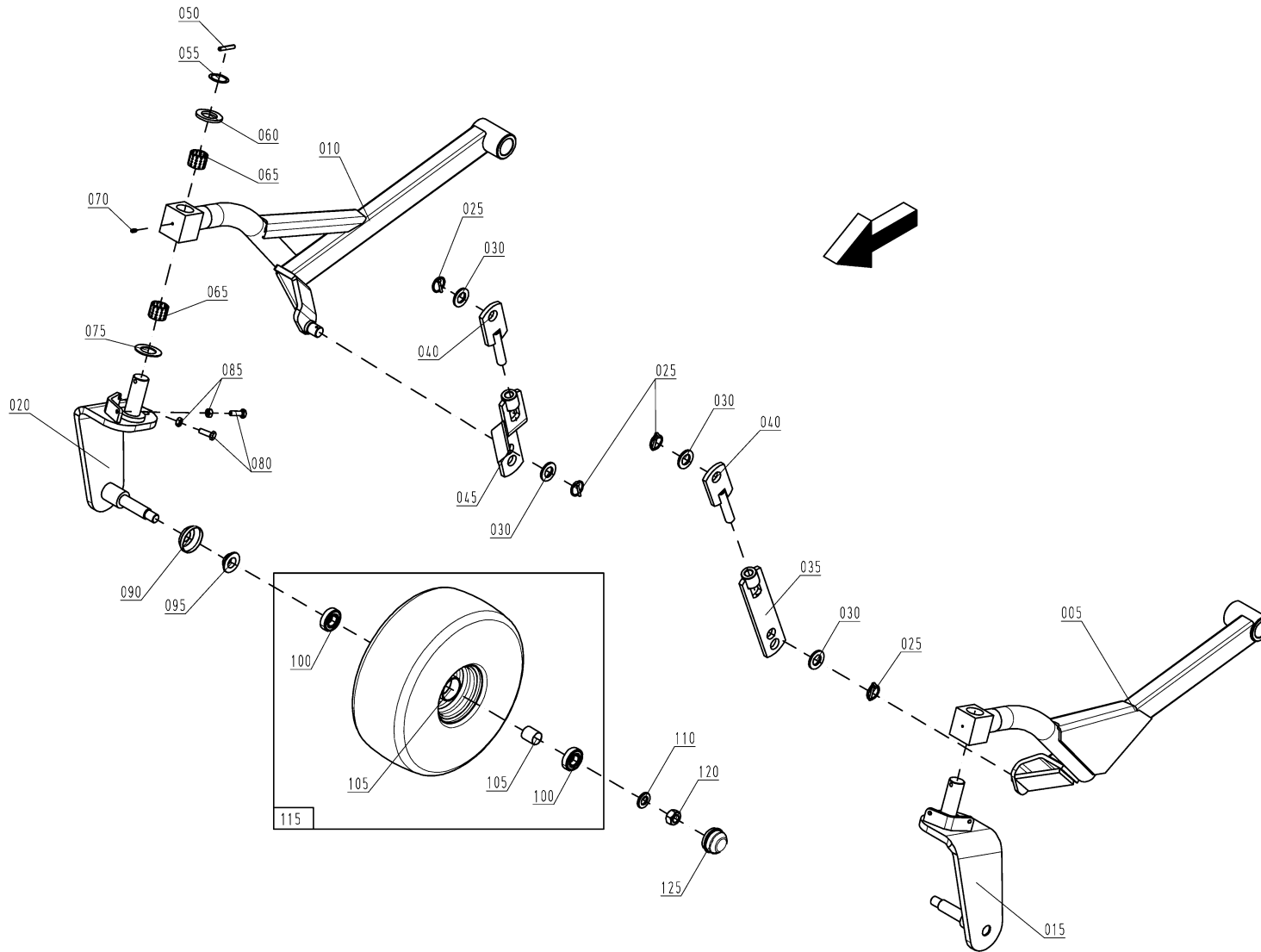
Pos.	Order No.	Pcs.	Description	Detailing	Dimension	Comment
005	73514609	1.0	lever ri cpl			
010	73514608	1.0	lever le cpl			
015	73514717	2.0	lift lug tot galv			
020	51536107	2.0	bolt galv		Rd 20 x 32,2	
025	86501110	2.0	washer ISO7089-A 17 galv			
030	86504592	2.0	circlip DIN471-A16x1			
035	36565500	2.0	hydraulic cylinder SA	HYZ-EW-025-355-195		
040	87001408	1.0	seal kit f hydraulic cylinder	HYDI-Z-EW-25-SHW		
045	86500002	2.0	hexagon nut flat-shaped		M 16	
050	87000463	2.0	screw-in bolt straight	HYV-GE-08-L-M-16x1.5-ROU-CF		
055	86502043	#	hexagon screw ISO4017 galv		M 12 x 40	
060	24303101	2.0	button f loop galv		Rd 30 h9 x 15	
065	86500301	2.0	hexagon nut ISO7040 galv		N M 12	
070	56636713	2.0	bolt 25x65 tot			
075	74414101	2.0	bearing item galv		Rd 30 x 13	
080	86500758	2.0	spring washer DIN127 galv		A 16	
085	86502106	2.0	hexagon screw ISO4017 galv		M 16 x 35	
090	86500755	4.0	spring washer DIN127 galv		A 12	
095	86501108	4.0	washer ISO7089-A 13 galv			
100	86502014	2.0	hexagon screw ISO4017 galv		M 8 x 20	
105	86501116	4.0	washer ISO7089-A 8.4 galv			
110	87005706	1.0	protective cap			
115	73214209	1.0	stop		Bl 8 x 200 x 240	
120	86500323	2.0	hexagon nut ISO10511 galv		N M 8	
125	74414708	1.0	side element le tot			
130	74414709	1.0	side element ri tot			
135	86500918	4.0	contact washer 12.4x27.4		12,4 x 27,4	
140	74414710	2.0	chain tensioner tot			
145	86504761	1.0	adjusting washer		PS 30 x 42 x 0,5	



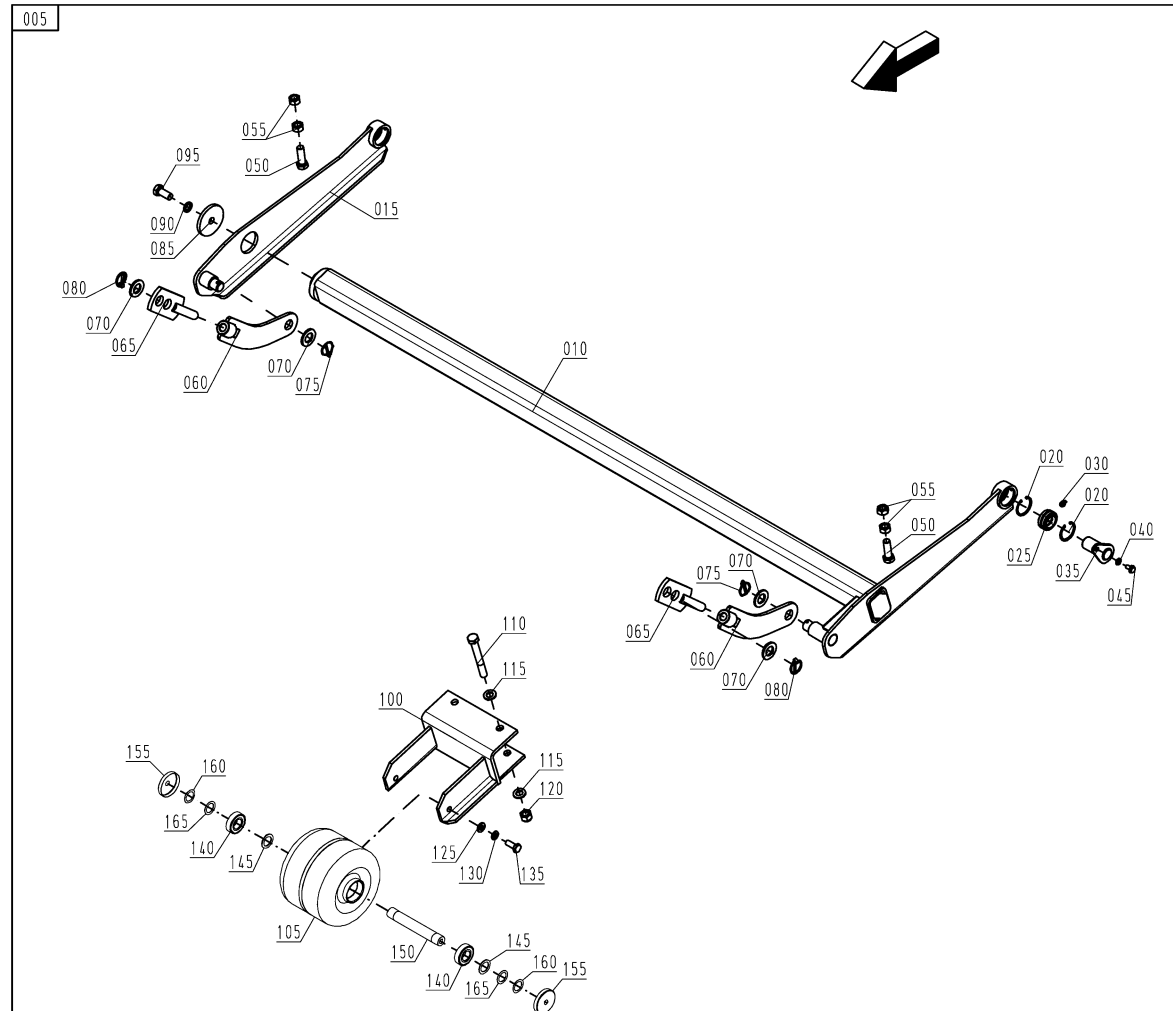
Pos.	Order No.	Pcs.	Description	Detailing	Dimension	Comment
150	87006616	2.0	slide bearing G IGLIDUR		3034 - 40 GSM	
155	86504762	3.0	adjusting washer		PS 30 x 42 x 1	
160	86504554	1.0	circlip DIN471-A30x1.5			
165	86504205	1.0	split-pin ISO1234 galv		4 x 25	
170	86501110	1.0	washer ISO7089-A 17 galv			
175	86503428	1.0	eyebolt galv		LBM 16 x 200	
180	86501103	1.0	washer ISO7093 galv		A 17	
185	50433501	1.0	pressure spring galv		Dr 4,8 x 48	
190	50433112	1.0	spring seat galv		Rd 45 x 40	
195	86500216	2.0	hexagon nut ISO4035 galv		M 16	
200	86504992	1.0	feather key DIN6885-A-12x8x40			
205	57517707	1.0	chain wheel z20 tot			
210	87004707	1.0	chain tightening wheel INA z15 t3/4			
215	86504776	#	adjusting washer		PS 45 x 55 x 1	
220	86504571	#	circlip DIN471-A45x1.75			
225	86507806	1.0	roller chain reinforced		3/4" x 1/2" x 61 Glieder	
230	86507843	1.0	locking link		3/4" 60 HV RL VS26 A	
235	74414711	1.0	chain case tot			
240	86502013	2.0	hexagon screw ISO4017 galv		M 8 x 16	
245	86504905	11.0	adjusting washer		PS 35 x 45 x 2	
250	86504556	1.0	circlip DIN471-A35x1.5			
255	73214620	1.0	clutch PU cpl			
260	73214731	1.0	chain wheel Z28 tot			
265	50433713	1.0	hub tot			
270	41014501	1.0	bearing bush		Dr 55 x 50,1 x 9	
275	50414507	4.0	friction lining		Dr 114 x 4	
280	50414223	1.0	drive plate		Bl 6 x DR 128	
285	50414224	2.0	clutch disc		Bl 6 x DR 114	
290	86505265	1.0	disc spring		100 x 51 x 5	
295	86501010	1.0	locking plate		MB10AS=2,0	



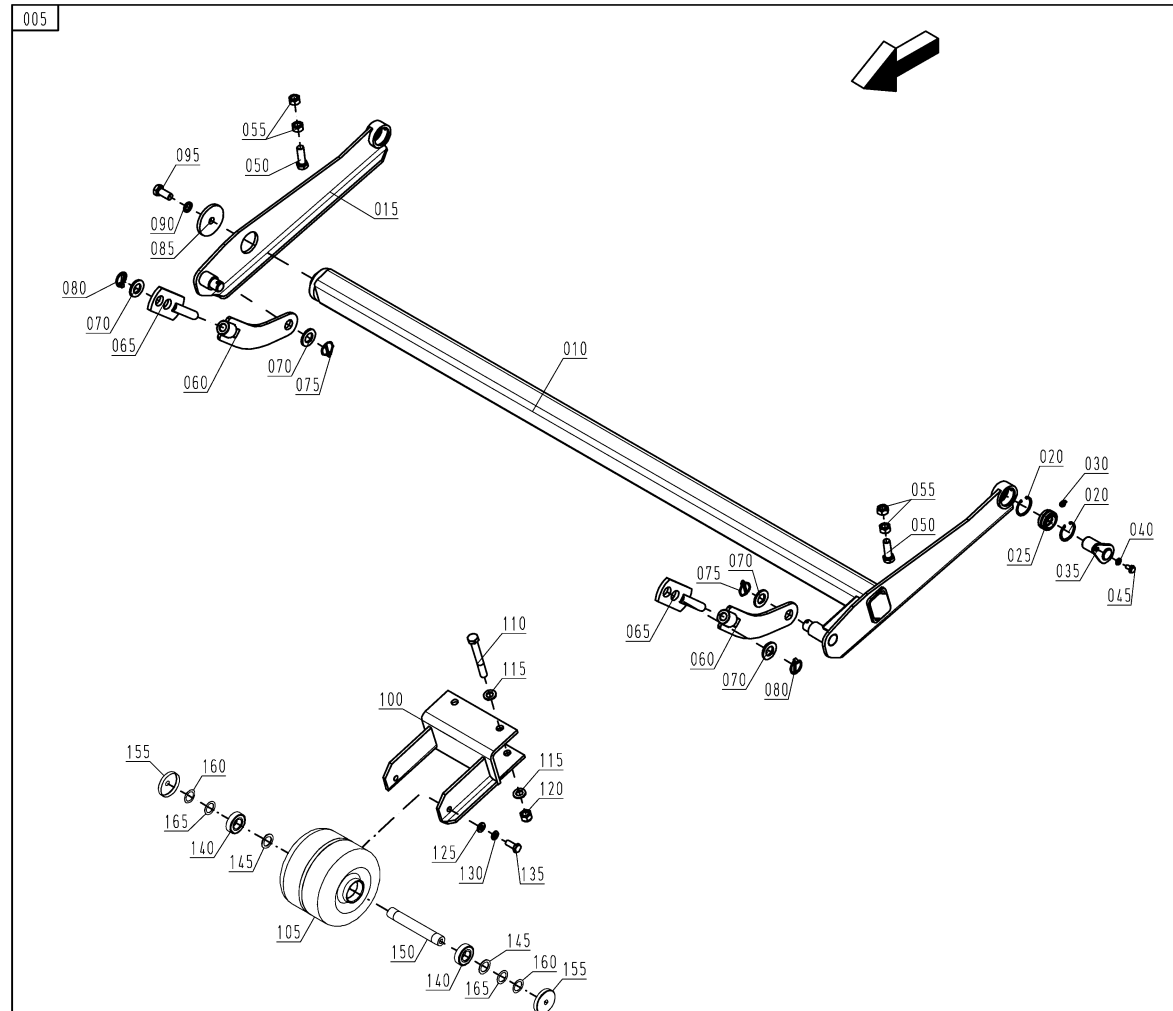
Pos.	Order No.	Pcs.	Description	Detailing	Dimension	Comment
300	86500486	1.0	groove nut		M 50 x 1,5 (KM 10 FAG)	



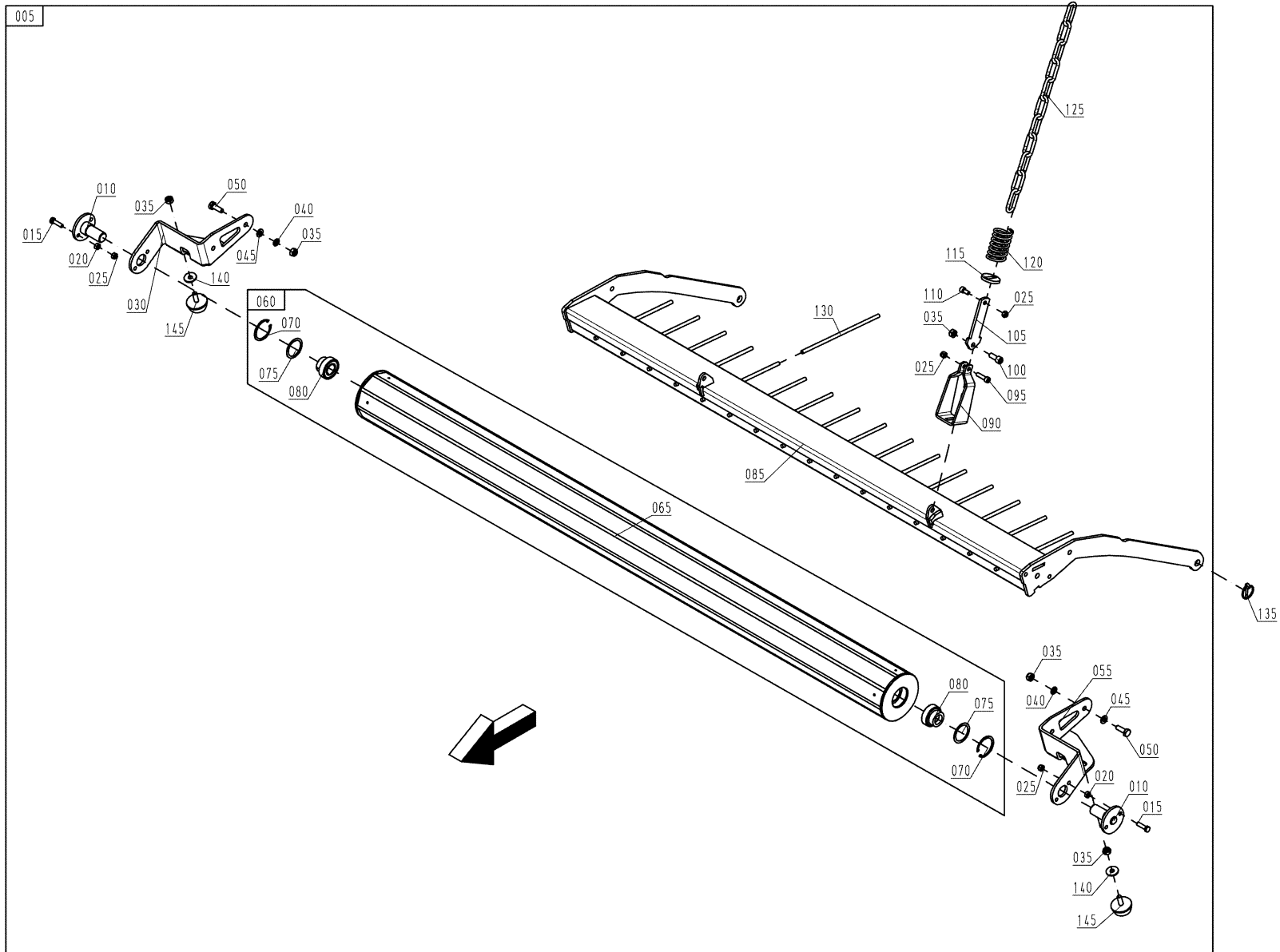
Pos.	Order No.	Pcs.	Description	Detailing	Dimension	Comment
005	73214715	1.0	supporting tube le tot			
010	73214701	1.0	supporting tube ri tot			
015	50414730	1.0	wheel hub le tot			
020	50414729	1.0	wheel hub ri tot			
025	86504233	4.0	linch pin		DR 4,5	
030	86501143	4.0	washer ISO7090-B 25 galv			
035	51514713	1.0	perforated strut tot galv			
040	51514712	2.0	spindle tot galv			
045	73514728	1.0	perforated strut tot			
050	86504019	2.0	tensioning pin ISO8752		8 x 50	
055	86504766	2.0	adjusting washer		PS 35 x 45 x 1	
060	86501138	2.0	washer ISO7091 galv		36	
065	86506080	4.0	bushing		35 x 39 x 30	
070	86506401	2.0	lubricating nipple		M 6 x 1 H1 >GERADE<	
075	50414237	2.0	slide washer		Dr 60 x 2 / Innen Dr 35,5	
080	86502029	4.0	hexagon screw ISO4017 galv		M 10 x 30	
085	86500204	2.0	hexagon nut ISO4032 galv		M 10	
090	87003084	1.0	protective caps DR60 galv			
095	87003083	1.0	sealing ring PA 25/48x13.5			
100	86505658	4.0	deep groove ball bearing single-row		6205-2RS1	
105	41014308	2.0	spacer tube		Ro 30 x 1,5 x 34	
110	86501111	2.0	washer ISO7089-A 21 galv			
115	87003081	2.0	wheel cpl	RAD_16x6.50-8 6PR	5.50Ax8	
120	86500207	1.0	hexagon nut ISO4032 galv		M 20	
125	87003082	1.0	end caps w collar galv			



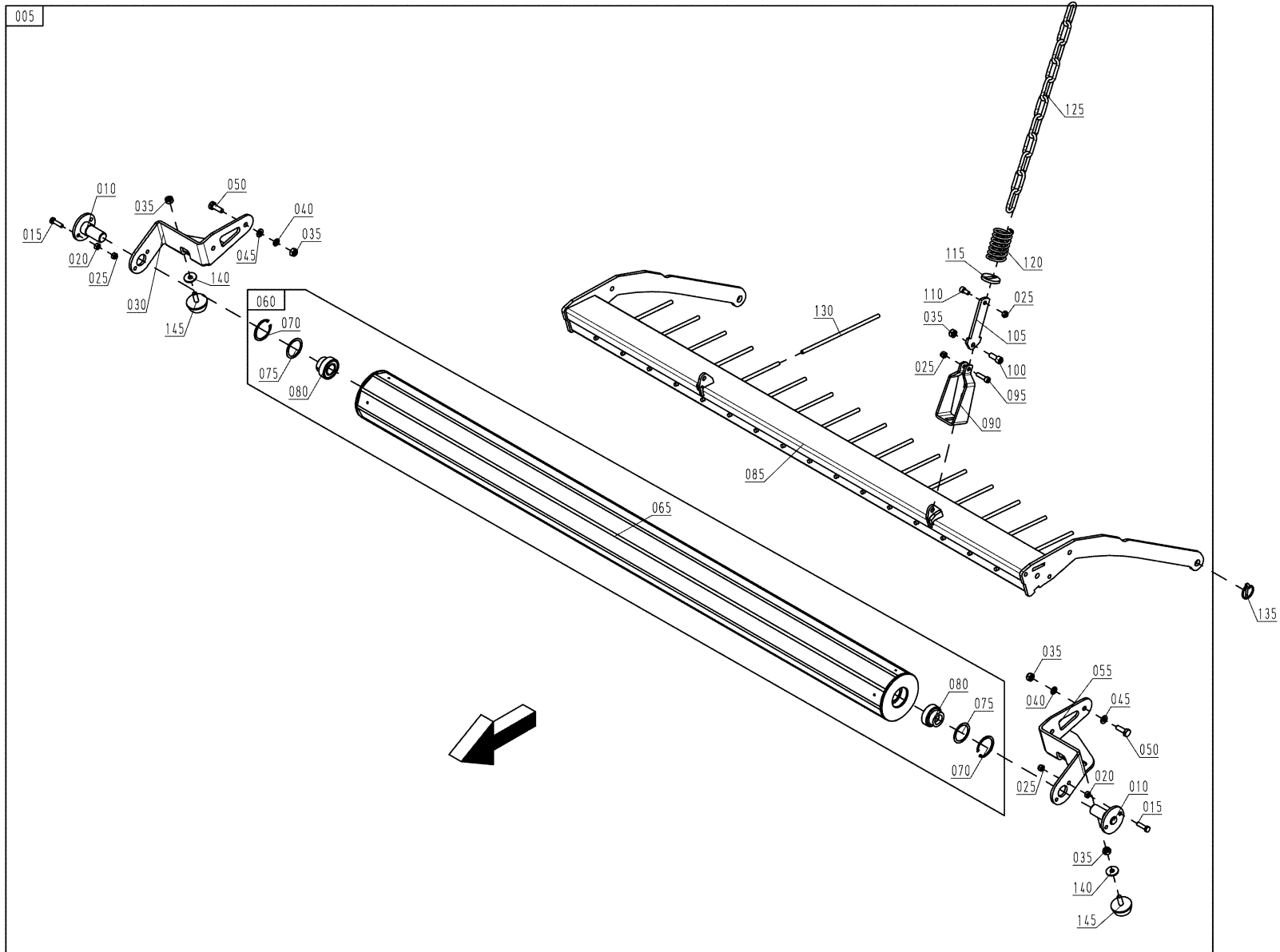
Pos.	Order No.	Pcs.	Description	Detailing	Dimension	Comment
005	74414612	1.0	additional guide wheels cpl			
010	74414718	1.0	side element le tot			
015	74414719	1.0	side element ri tot			
020	86504652	4.0	circlip DIN471-147x1.75			
025	87004901	2.0	radial spherical bearing		GE 30 DO	
030	86506410	2.0	lubricating nipple		M 10 x 1 H1	>GERADE<
035	73214723	2.0	bolt 029.7x065.0 tot			
040	86501116	2.0	washer ISO7089-A 8.4 galv			
045	86503577	2.0	Verbus-Tensilock screw galv		M 8 x 16	
050	86502072	2.0	hexagon screw ISO4017 galv		M 16 x 50	
055	86500208	4.0	hexagon nut ISO4032 galv		M 16	
060	74414717	1.0	perforated strut tot galv			
065	57514702	1.0	spindle tot galv			
070	86501122	4.0	washer ISO7089-A 25 galv			
075	86504200	2.0	safety linch pin		DR 4	
080	86504233	2.0	linch pin		DR 4,5	
085	21802211	1.0	washer galv		BI 8 x DR80	
090	86503727	1.0	lock washer Nord-Lock		DNL 16	
095	86502106	1.0	hexagon screw ISO4017 galv		M 16 x 35	
100	57514726	1.0	support tot			
105	87020150	1.0	guide wheel		DR200x160 / 15280 / Typ E	
110	86502253	4.0	hexagon screw ISO4014 galv		M 16 x 130	
115	86501110	4.0	washer ISO7089-A 17 galv			
120	86500302	4.0	hexagon nut ISO7040 galv		N M 16	
125	86501108	2.0	washer ISO7089-A 13 galv			
130	86500755	2.0	spring washer DIN127 galv		A 12	
135	86502041	2.0	hexagon screw ISO4017 galv		M 12 x 30	
140	86505658	2.0	deep groove ball bearing single-row		6205-2RS1	



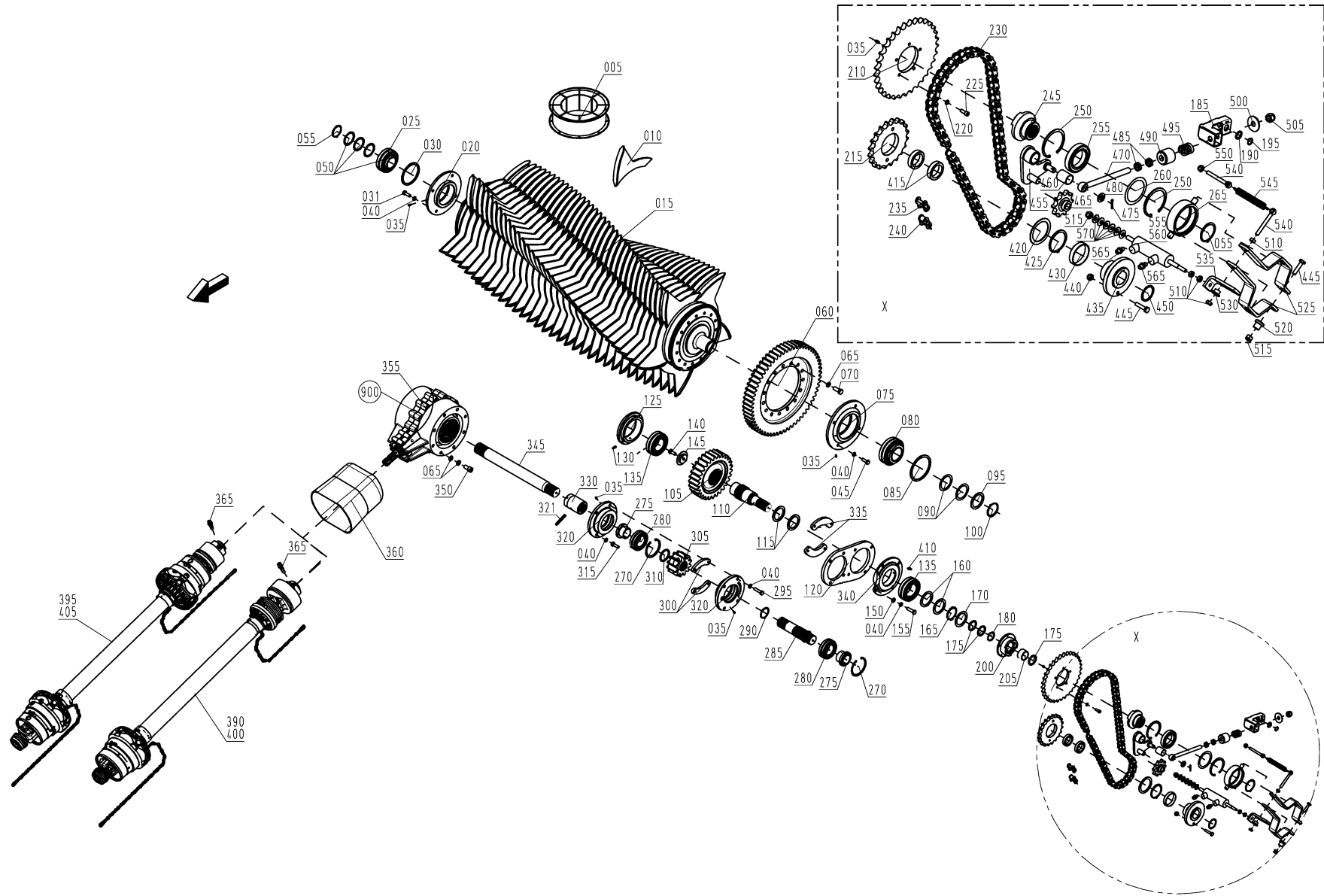
Pos.	Order No.	Pcs.	Description	Detailing	Dimension	Comment
145	86504856	4.0	supporting ring DIN988		SS 26 x 37 x 2	
150	57514010	1.0	bearing shaft		Rd 25 h9 x 171	
155	71614222	4.0	anti-wrap guard		Bl 0,5 x 83 x 83	
160	86504759	4.0	adjusting washer		PS 25 x 35 x 0,5	
165	86504760	4.0	adjusting washer		PS 25 x 35 x 1	



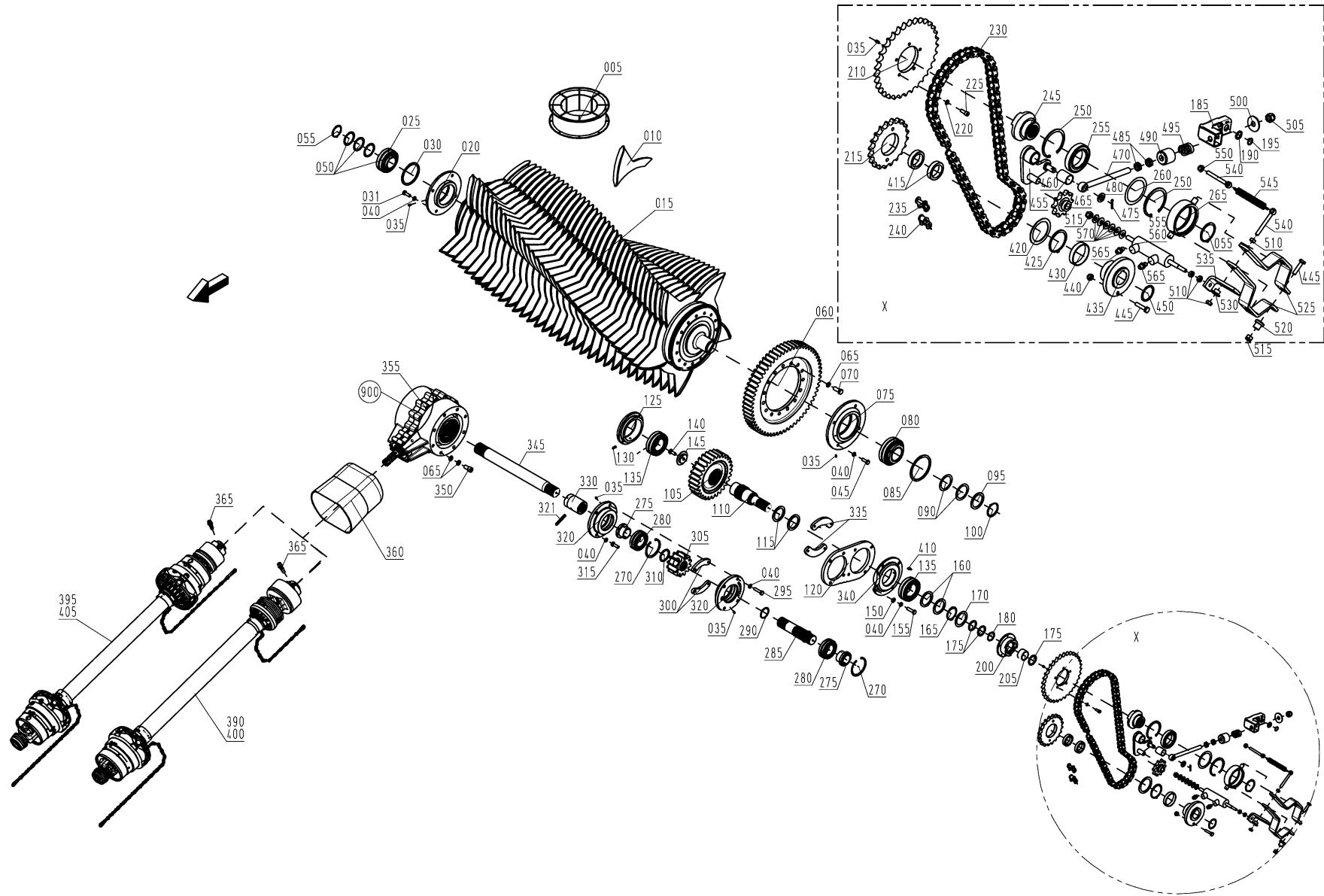
Pos.	Order No.	Pcs.	Description	Detailing	Dimension	Comment
005	74414614	1.0	holding-down device cpl			
010	50414715	2.0	bearing bolt tot galv			
015	86502016	4.0	hexagon screw ISO4017 galv		M 8 x 30	
020	86500203	4.0	hexagon nut ISO4032 galv		M 8	
025	86500303	8.0	hexagon nut ISO7040 galv		N M 8	
030	74414239	1.0	bearing sheet ri		BI 6 x 161 x 412	
035	86500304	#	hexagon nut ISO7040 galv		N M 10	
040	86500754	#	spring washer DIN127 galv		A 10	
045	86501106	#	washer ISO7089-A10.5 galv			
050	86502029	4.0	hexagon screw ISO4017 galv		M 10 x 30	
055	74414238	1.0	bearing sheet le		BI 6 x 161 x 412	
060	74414604	1.0	holding-down device roll cpl			
065	74414500	1.0	roller		1765 lg	
070	86504660	2.0	circlip DIN472-I52x2			
075	86504774	2.0	adjusting washer		PS 42 x 52 x 1	
080	86505749	1.0	radial insert ball bearing INA cyl/metr		RAE 25 NPP / YET 205 CW	
085	74414721	1.0	holding-down device tot			
090	57517248	2.0	bow galv		BI 5 x 50 x 355	
095	86502502	2.0	cheese-head screw ISO4762 galv		M 8 x 30	
100	86502415	2.0	cheese-head screw ISO4762 galv		M 10 x 25	
105	57517247	2.0	lug galv		BI 6 x 46 x 135	
110	86503673	2.0	cheese-head screw ISO4762 galv		M 8 x 16	
115	57517246	2.0	cover galv		BI 6 x DR 45	
120	18102501	2.0	pressure spring galv		Dr 4,75 x 80	
125	86507301	2.0	C-link chain		DR7 x 48 x 28/ 11 Glieder	
130	73214501	1.0	spring rod		Rd 8 x 260	
135	86504233	1.0	linch pin		DR 4,5	



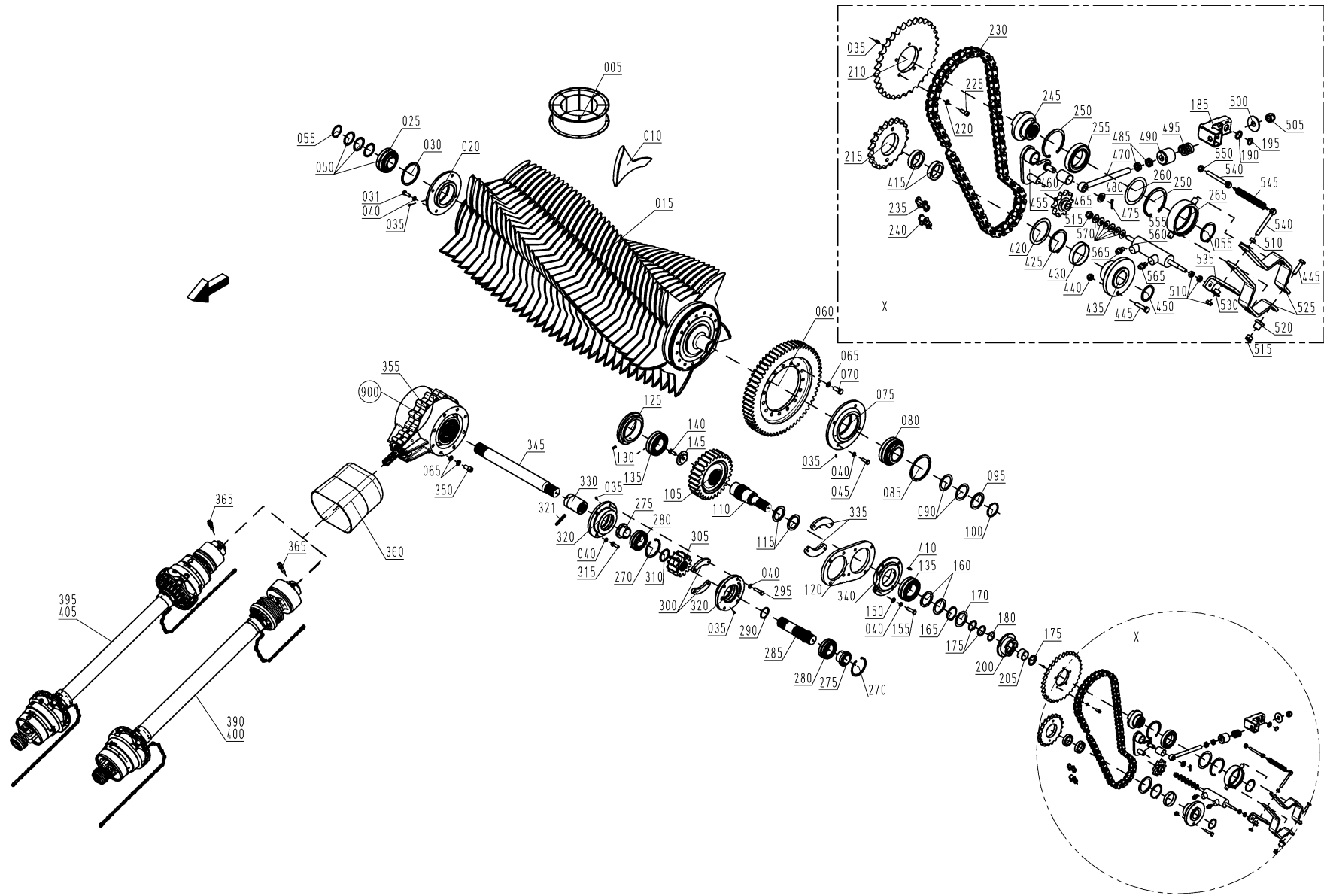
Pos.	Order No.	Pcs.	Description	Detailing	Dimension	Comment
140	86501136	2.0	washer ISO7093 galv		A 10,5	
145	63240516	2.0	bump stop rubber GMT		DR 50 x 22.5 - M 10x28	



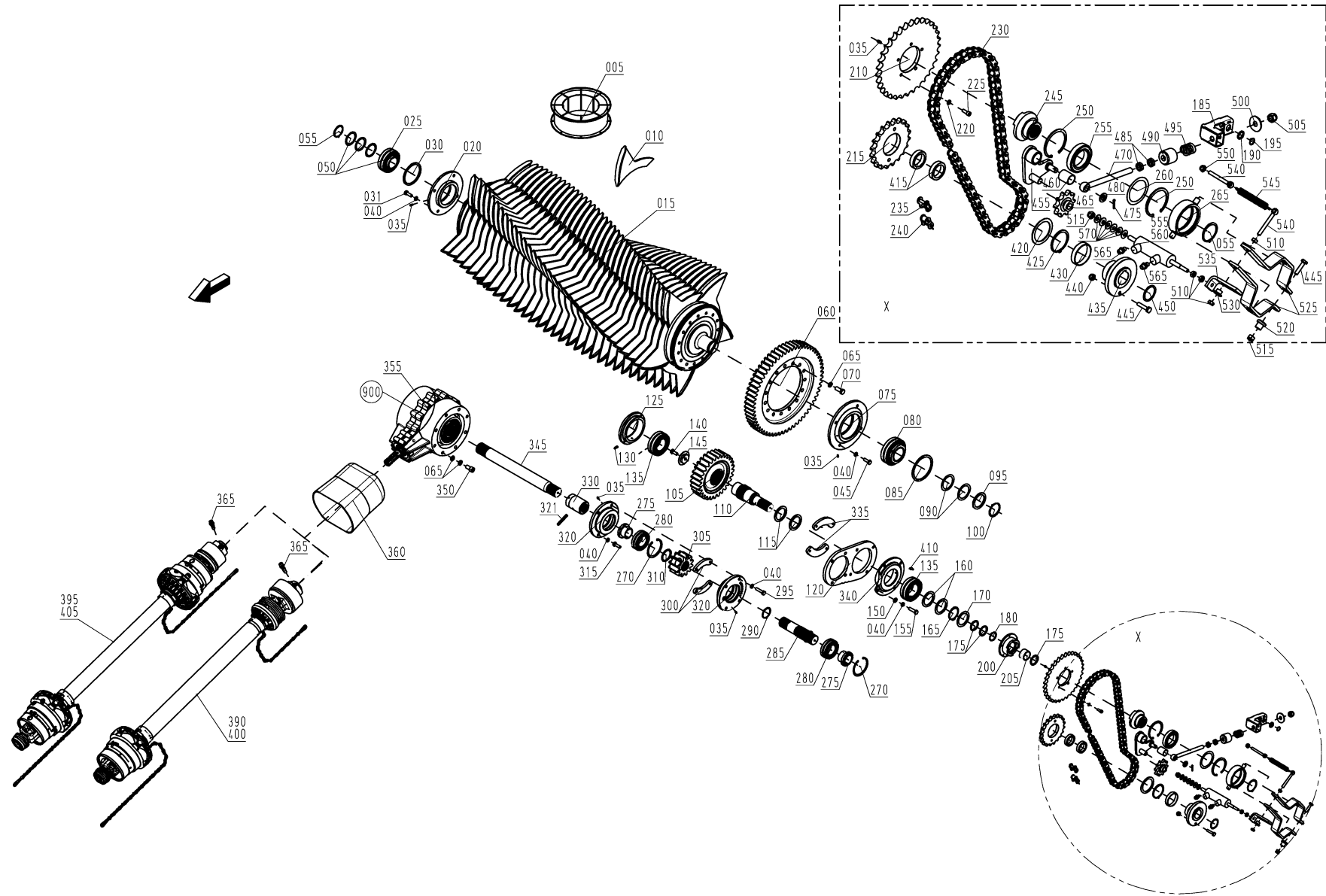
Pos.	Order No.	Pcs.	Description	Detailing	Dimension	Comment
005	99050023	1.0	protective gas welding wire			
010	74415711	1.0	tine tot			
015	74415706	1.0	rotor tot			
020	74402010	1.0	bearing housing		Rd 245 x 51,5	
025	74402602	1.0	self-aligning ra roller bear cpl			
030	86504701	1.0	circlip DIN472-I120x4			
031	86501374	4.0	hexagon screw ISO4017		M 12 x 35	
035	86506401	#	lubricating nipple		M 6 x 1 H1 >GERADE<	
040	86500755	#	spring washer DIN127 galv		A 12	
045	86502042	#	hexagon screw ISO4017 galv		M 12 x 35	
050	86504783	3.0	adjusting washer		PS 60 x 75 x 1	
055	86504576	2.0	circlip DIN471-A60x2			
060	74402006	1.0	toothed wheel z61		BI 60 x 510 x 510	
065	86503727	#	lock washer Nord-Lock		DNL 16	
070	86502363	#	hexagon screw ISO4017 galv		M 16 x 40	
075	74402016	1.0	bearing housing		Rd 270 x 53,5	
080	74402629	1.0	self-aligning ra roller bear cpl			
085	86504605	1.0	circlip DIN471-I 140x4			
090	86504795	2.0	adjusting washer		PS 70 x 90 x 1	
095	86504871	1.0	supporting ring DIN988		SS 70 x 90 x 3,5	
100	86504587	1.0	circlip DIN471-A70x2,5			
105	74402012	1.0	intermediate wheel z29		Rd 260 x 62	
110	74402113	1.0	drive shaft		Rd 80 x 252	
115	86504838	2.0	supporting ring DIN988		SS 65 x 85 x 3,5	
120	74402237	1.0	accessory		BI 15 x 210 x 372,5	
125	74402011	1.0	bearing housing		Rd 175 x 41	
130	86506414	1.0	lubricating nipple M8x1 29lg			
135	86505801	2.0	cylindrical roller bearing	WL_ZR065.0x120.0x38.0		
140	86502041	1.0	hexagon screw ISO4017 galv		M 12 x 30	



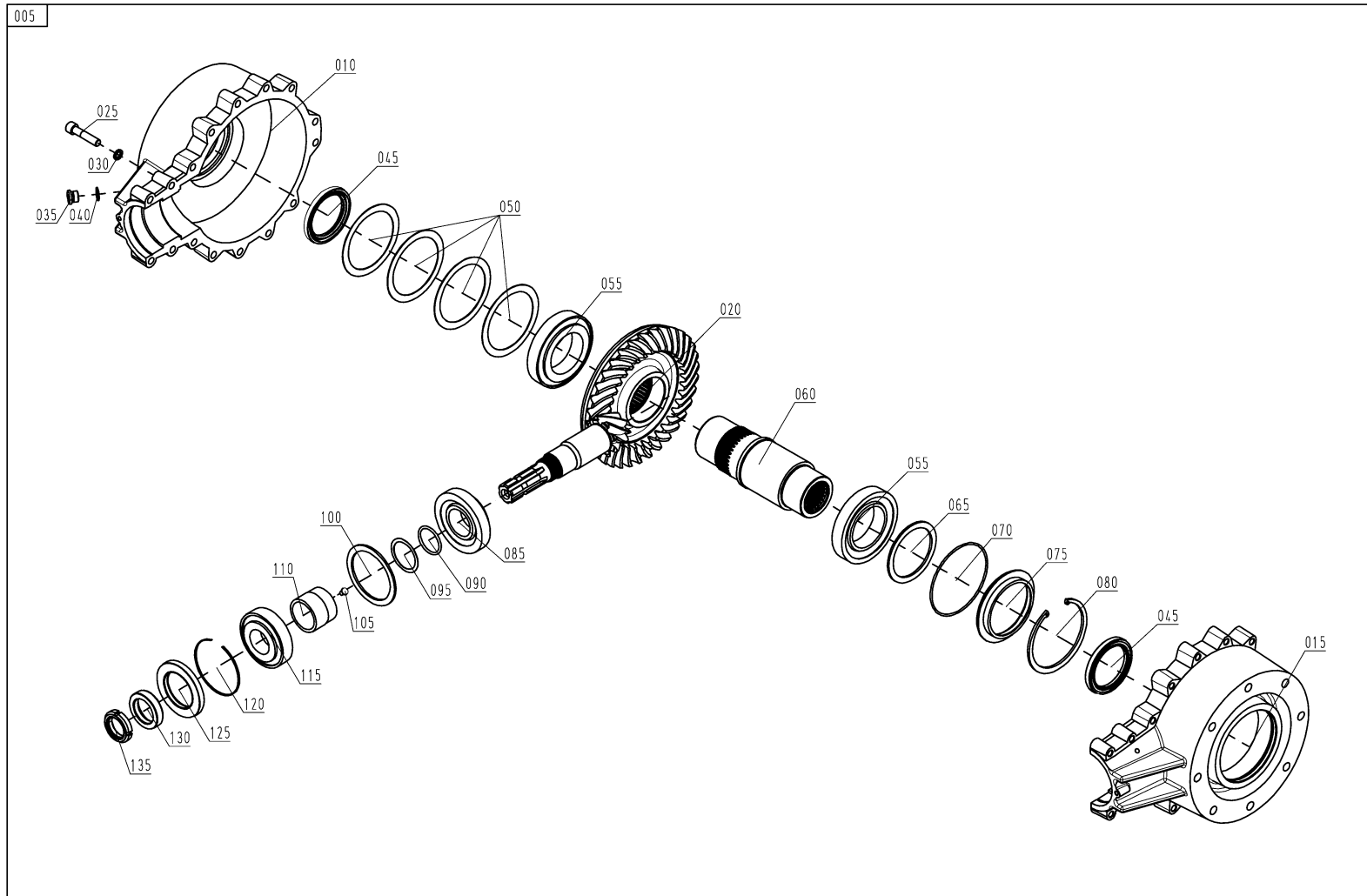
Pos.	Order No.	Pcs.	Description	Detailing	Dimension	Comment
145	74402017	1.0	washer		Rd 75 x 13,5	
150	86501108	4.0	washer ISO7089-A 13 galv			
155	86502044	#	hexagon screw ISO4017 galv		M 12 x 45	
160	86504909	2.0	adjusting washer		PS 65 x 85 x 2	
165	86504606	1.0	circlip DIN471-A65x2,5			
170	86504943	1.0	adjusting washer		PS 65 x 85 x 2	
175	86504865	3.0	supporting ring DIN988		SS 45 x 55 x 3	
180	86504571	1.0	circlip DIN471-A45x1.75			
185	74402707	1.0	bracket tot			
190	86504815	1.0	supporting ring DIN988		SS 20 x 28 x 2	
195	86504586	1.0	circlip DIN471-A20x1.2			
200	74402007	1.0	hub		Rd 126 x 45	
205	86506023	1.0	bushing / hole pattern		45 x 50 x 30	
210	74402225	1.0	chain wheel z33		BI 15 x DR 278	
215	74402221	1.0	chain wheel z20		BI 16 x DR 176	
220	86500753	5.0	spring washer DIN127 galv		A 8	
225	86502440	5.0	cheese-head screw ISO4762 galv		M 8 x 22	
230	86506612	1.0	roller chain 17" 71 links			
235	86506617	1.0	locking link straight		1"	
240	86506618	1.0	locking link cranked		1"	
245	54702003	1.0	shifting claw		Rd 100 x 56	
250	86504705	2.0	circlip DIN472-I95x3			
255	86505692	1.0	deep groove ball bearing single-row		6012-2RS1	
260	86504917	1.0	adjusting washer		PS 75 x 95 x 0,3	
265	55202401	1.0	switching ring			
270	86504693	2.0	circlip DIN472-I100x3			
275	86505794	2.0	tensioning sleeve			
280	86505793	2.0	self-aligning radial roller bearing			
285	74402108	1.0	drive shaft		Rd 54,5 x 231	



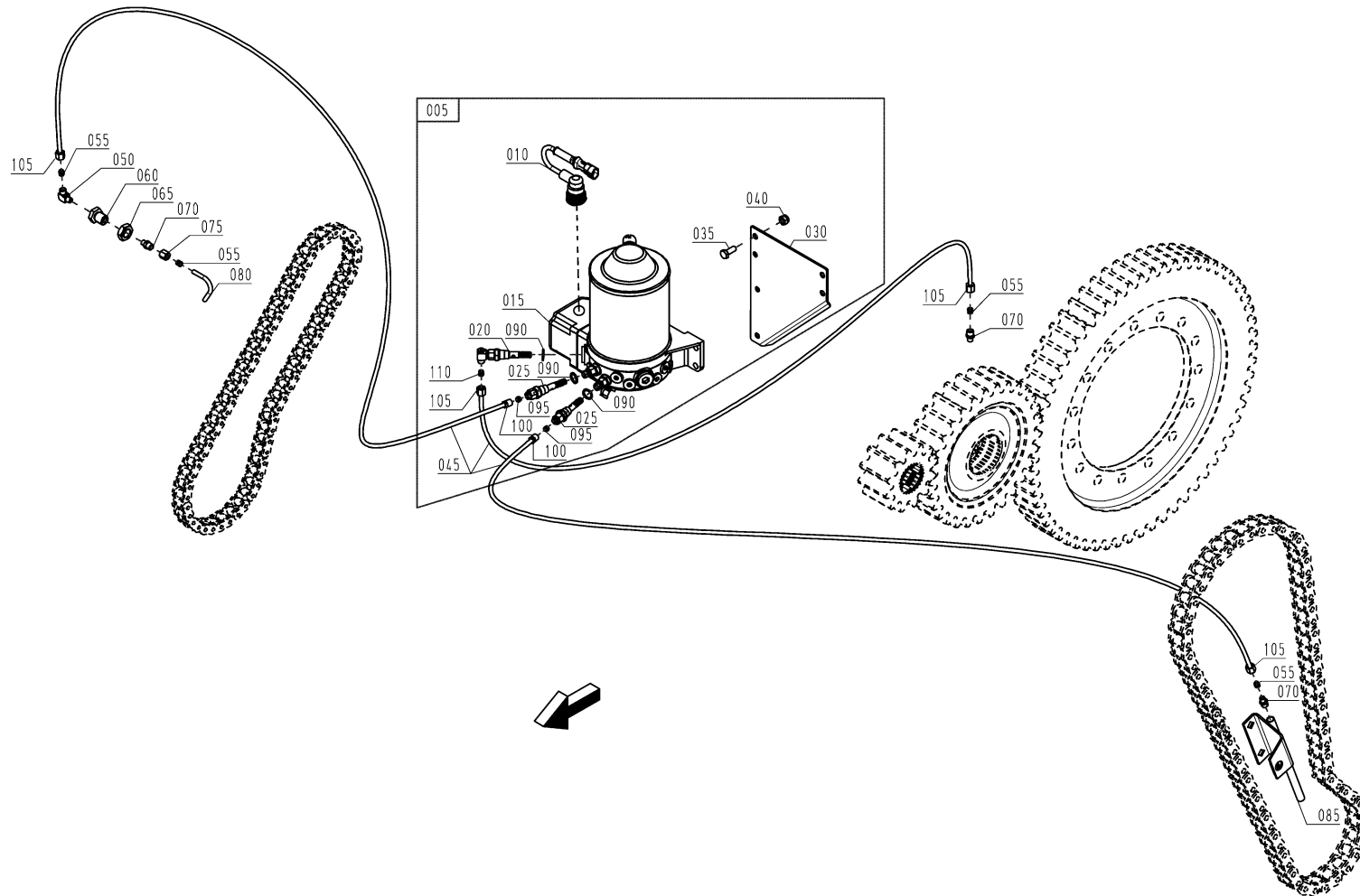
Pos.	Order No.	Pcs.	Description	Detailing	Dimension	Comment
290	86504574	1.0	circlip DIN471-A55x2			
295	86502045	#	hexagon screw ISO4017 galv		M 12 x 50	
300	74402209	2.0	threaded device		Bl 12 x 43,9 x 123,7	
305	74402005	1.0	pinion z12		Rd 120 x 62	
310	86504901	1.0	adjusting washer		PS 55 x 68 x 2	
315	86502042	4.0	hexagon screw ISO4017 galv		M 12 x 35	
320	41021402	2.0	bearing housing			
325	86504064	1.0	tensioning pin ISO8752		10 x 70	
330	74402110	1.0	profiled hub		Rd 70 h9 x 100	
335	74402238	2.0	threaded ring		Bl 12 x 53,8 x 158,3	
340	74402019	1.0	bearing housing		Rd 210 x 44	
345	74402109	1.0	drive shaft		RD 55 x 560	
350	86502439	#	cheese-head screw ISO4762 galv		M 16 x 30	
355	50402601	1.0	angular gear cpl			
360	50422500	1.0	protective sleeve f drive			
365	87005440	1.0	clamping cone CC I 3/8 Zoll			
390	74406507	1.0	prop shaft cam-type cut-out clut	G5-Lz1410-13/8Z6-13/8Z6-EK68/22R	1000U/min	/ Zelon CFS 2501,Zelon CFS 2901,Zelon CFS 3301
395	74406508	1.0	prop shaft cam-type cut-out clut	G5-Lz1410-13/8Z6-13/8Z6-EK68/22R	1000U/min	/ Zelon CFS 2501 DO,Zelon CFS 2901 DO,Zelon CFS 3301 DO
400	74406505	1.0	prop shaft cam-type cut-out clut	G5-Lz1410-13/8Z21-13/8Z6-EK68/22R		/ Zelon CFS 2501,Zelon CFS 2901,Zelon CFS 3301
405	74406506	1.0	prop shaft cam-type cut-out clut	G5-Lz1410-13/8Z21-13/8Z6-EK68/22R		/ Zelon CFS 2501 DO,Zelon CFS 2901 DO,Zelon CFS 3301 DO
410	86506403	1.0	lubricating nipple		M 6 x 1 H2 >45^<	
415	74402300	2.0	spacer tube		Ro 60,3 x 15	
420	86504797	1.0	adjusting washer		PS 70 x 90 x 2	
425	86504587	1.0	circlip DIN471-A70x2,5			
430	87006101	1.0	slide bearing igludur G		Ro 5 x 15 x 75	
435	74402106	1.0	hub		Rd 130 x 60	



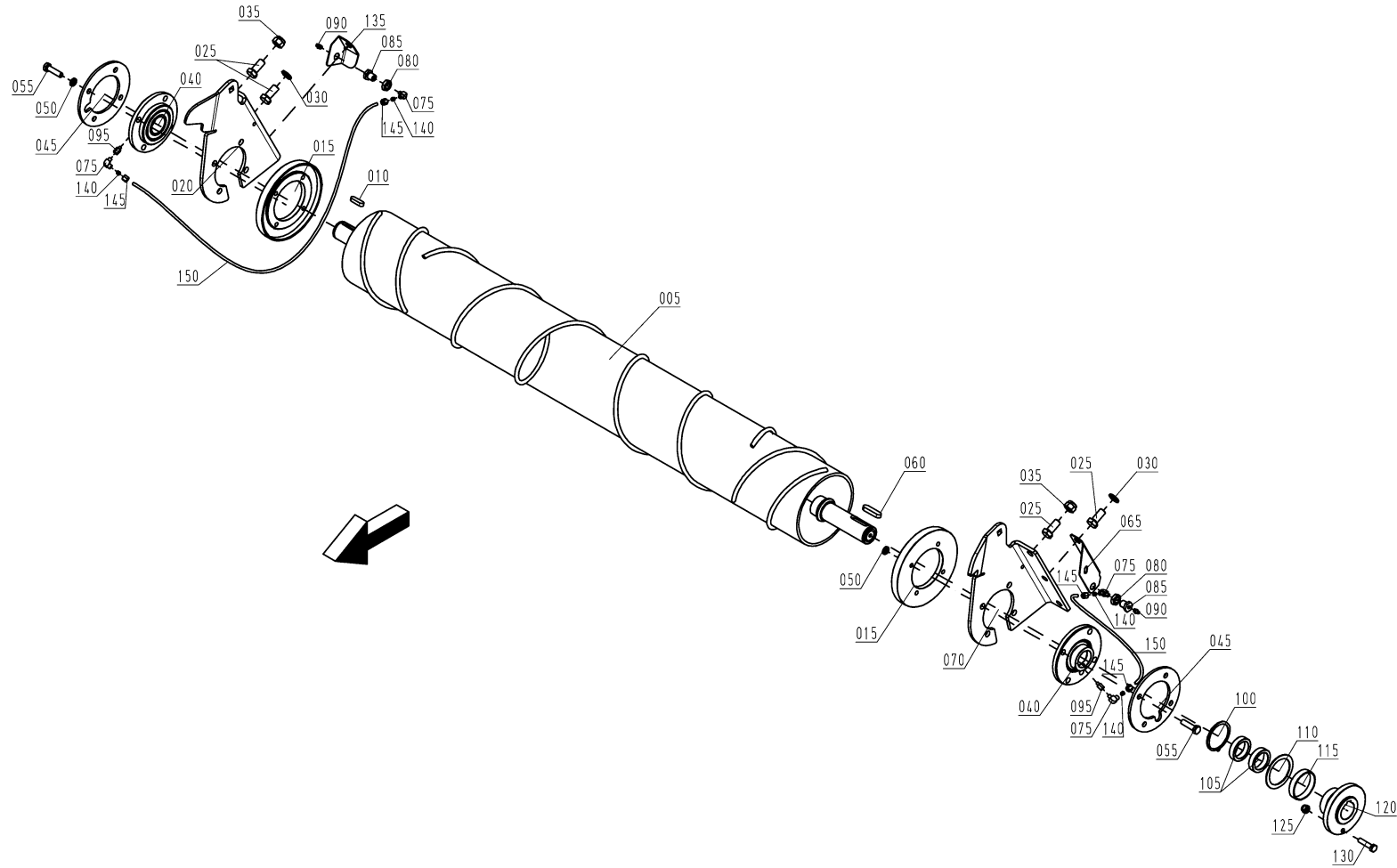
Pos.	Order No.	Pcs.	Description	Detailing	Dimension	Comment
440	86500304	1.0	hexagon nut ISO7040 galv		N M 10	
445	86502087	2.0	hexagon screw ISO4017 galv		M 10 x 45	
450	86504776	1.0	adjusting washer		PS 45 x 55 x 1	
455	57517710	1.0	chain tensioner tot			
460	87006616	1.0	slide bearing G IGLIDUR		3034 - 40 GSM	
465	87004705	1.0	chain tightening wheel INA z10 p1in			
470	86503429	1.0	eyebolt galv		LBM 16 x 210	
475	86504205	1.0	split-pin ISO1234 galv		4 x 25	
480	86501110	1.0	washer ISO7089-A 17 galv			
485	86500216	2.0	hexagon nut ISO4035 galv		M 16	
490	50433112	1.0	spring seat galv		Rd 45 x 40	
495	50433501	1.0	pressure spring galv		Dr 4,8 x 48	
500	86501103	1.0	washer ISO7093 galv		A 17	
505	86500302	1.0	hexagon nut ISO7040 galv		N M 16	
510	86500204	4.0	hexagon nut ISO4032 galv		M 10	
515	86500301	2.0	hexagon nut ISO7040 galv		N M 12	
520	74402103	1.0	bearing item		Rd 30 h9 x 24,5	
525	74402213	2.0	lever		Bl 8 x 40 x 450,7	
530	24303101	1.0	button f loop galv		Rd 30 h9 x 15	
535	50502001	1.0	switch rod		Bl 8 x 40 x 142	
540	86503402	2.0	eyebolt galv		LBM 10 x 90	
545	43317501	1.0	extension spring cadmium-plated		Draht Dr 2,7 B / Drahtsor	
550	86500304	1.0	hexagon nut ISO7040 galv		N M 10	
555	25005501	1.0	hydraulic cylinder DA	HYZ-DW-032/020-178-42		
560	87010308	1.0	seal kit f hydraulic cylinder	HYDI-Z-DW-32/20-SHW		
565	87000459	2.0	screw-in bolt straight	HYV-GE-08-L-M-12x1.5-ROU-CF		
570	86505256	6.0	disc spring		28 x 12,2 x 1	



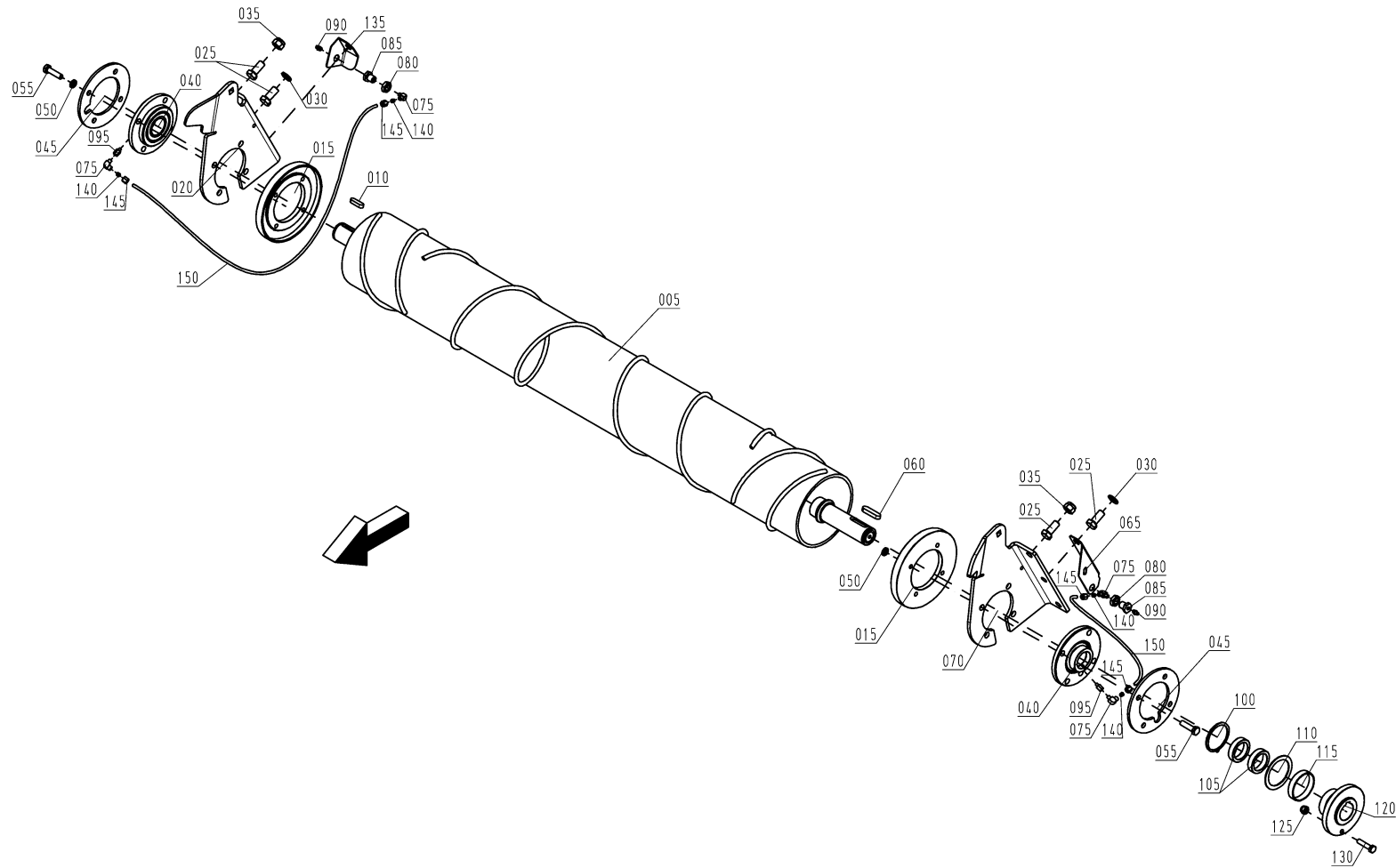
Pos.	Order No.	Pcs.	Description	Detailing	Dimension	Comment
005	50402601	1.0	angular gear cpl			
010	89000256	1.0	gearbox casing ri			
015	89000255	1.0	gearbox casing le			
020	86508266	1.0	set bevel pinion/bevel gear			
025	86502505	16.0	cheese-head screw ISO4762 galv		M 12 x 55	
030	86500675	16.0	spring washer A12 DIN7980 galv			
035	86503669	1.0	screwed plug galv		M 18 x 1,5	
040	86507521	1.0	copper ring		18 x 22 x 1,5	
045	86508139	2.0	radial shaft seal		BA SL 75 x 100 x 10	
050	86504806	4.0	supporting ring DIN988		SS 115 x 99 x 3,5	
055	86508136	2.0	tapered roller bearing		30215	
060	86508118	1.0	profile shaft			
065	86504804	1.0	supporting ring DIN988		SS 90 x 110 x 3,5	
070	86508141	1.0	O-ring		126 x 3	
075	86508117	1.0	casing cover			
080	86504680	1.0	circlip DIN472-1130x4			
085	86508135	1.0	tapered roller bearing		31310	
090	86508140	1.0	O-ring		44 x 4	
095	86504777	1.0	adjusting washer		PS 50 x 62 x 0,5	
100	86504880	1.0	supporting ring DIN988		SS 90 x 110 x 3,5	
105	86508143	1.0	bleed valve/EV 1007-01-02-00			
110	86508120	1.0	spacer bushing			
115	86508134	1.0	tapered roller bearing	WL_KR_e_045.0x100.0x27.25_B	30309	
120	86508137	1.0	retaining ring SB100			
125	86505393	1.0	radial shaft seal		BA SL 65 x 100 x 10	
130	86508119	1.0	bushing			
135	86508133	1.0	groove nut M40x1.5			



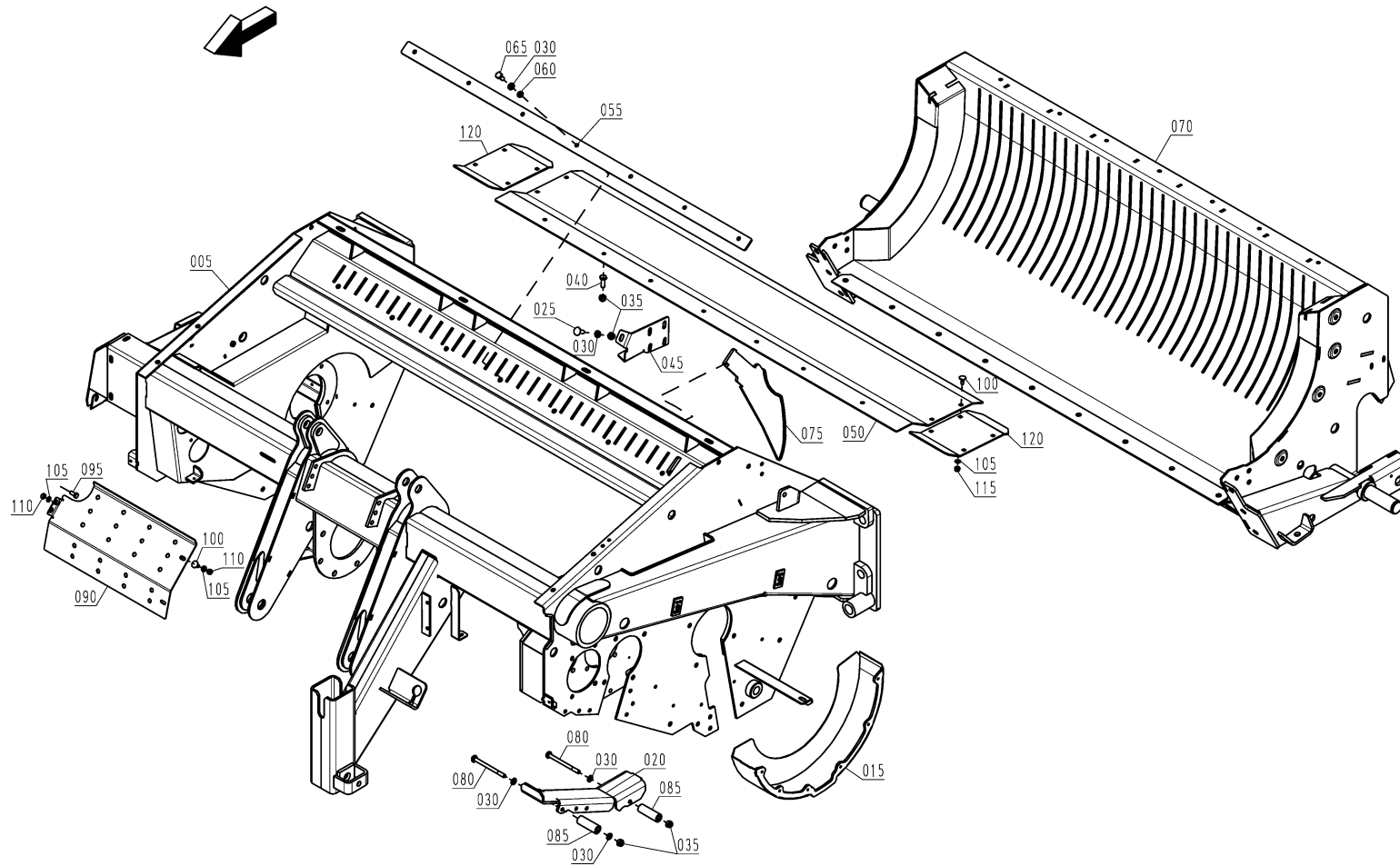
Pos.	Order No.	Pcs.	Description	Detailing	Dimension	Comment
005	74406600	1.0	lubrication system cpl			
010	74406511	1.0	connecting cable	ZSM-Anschlusskabel		
015	74406500	1.0	lubrication pump cpl			
020	74406510	1.0	pump element	ZSM-Pumpenelement PE-120FV		
025	74406512	2.0	connecting cable	ZSM-Pumpenelement PE-10		
030	74406200	1.0	pump mount		BI 3 x 170 x 220	
035	86502014	#	hexagon screw ISO4017 galv		M 8 x 20	
040	86500303	#	hexagon nut ISO7040 galv		N M 8	
045	88001761	3.0	tube PA 12 H LT		6 x 1,5 / Meterware	
050	87000596	1.0	angle screw-in bolt	HYV-WE-06-LL-M-8x1-KEG-RMU-CF		
055	87000609	3.0	cutting ring	HYV-D-06-LL		
060	21812100	1.0	female thread screw		6kt 22 x 17	
065	86500216	1.0	hexagon nut ISO4035 galv		M 16	
070	87000548	3.0	screw-in bolt straight	HYV-GE-06-LL-M-8x1-KEG-ROU-CF		
075	87000627	1.0	union nut	HYV-M-06-LL-CF		
080	71614302	1.0	lubricating line		Ro 6 x 1 x 100	
085	74422704	1.0	locking bracket tot			
090	86505313	3.0	copper ring		14 x 18 x 1,5	
095	88001724	2.0	double bevel ring	HYV-DKR-06-MS		
100	87000608	2.0	union screw	HYV-S-06-LL-M-10x1-CF		
105	87000627	1.0	union nut	HYV-M-06-LL-CF		
110	87000609	1.0	cutting ring	HYV-D-06-LL		



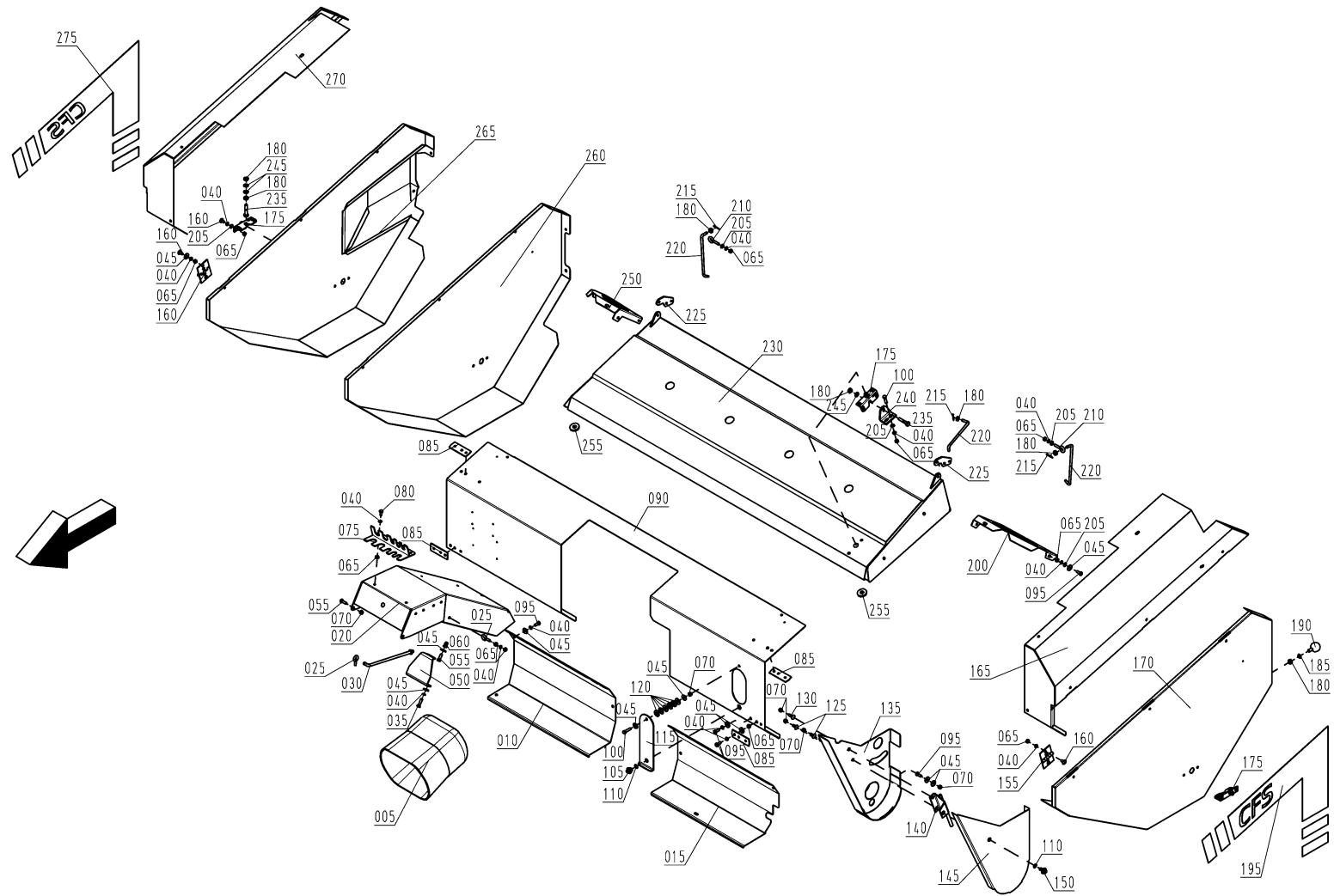
Pos.	Order No.	Pcs.	Description	Detailing	Dimension	Comment
005	74417704	1.0	guide drum tot			
010	86504992	1.0	feather key DIN6885-A-12x8x40			
015	73217207	2.0	sealing ring		Dr 205 x 20	
020	74417201	1.0	bearing plate ri		Bl 8 x 289,6 x 368,3	
025	86502106	6.0	hexagon screw ISO4017 galv		M 16 x 35	
030	86500758	#	spring washer DIN127 galv		A 16	
035	86500302	2.0	hexagon nut ISO7040 galv		N M 16	
040	87006613	2.0	4-hole flange bearing INA cpl			
045	57517209	2.0	fastening ring		Bl 6 x 170 x 170	
050	86500754	8.0	spring washer DIN127 galv		A 10	
055	86502044	8.0	hexagon screw ISO4017 galv		M 12 x 45	
060	86504974	1.0	feather key DIN6885-A- 14x9x56			
065	74422211	1.0	bracket		Bl 2 x 91,3 x 170	
070	74417200	1.0	bearing plate le		Bl 8 x 289,6 x 368,3	
075	87000596	4.0	angle screw-in bolt	HYV-WE-06-LL-M-8x1-KEG- RMU-CF		
080	86500216	2.0	hexagon nut ISO4035 galv		M 16	
085	21812100	2.0	female thread screw		6kt 22 x 17	
090	86506405	2.0	lubricating nipple		M 8 x 1 H1 >GERADE<	
095	88001719	2.0	extension f central lubrication			
100	86504587	1.0	circlip DIN471-A70x2,5			
105	74402300	2.0	spacer tube		Ro 60,3 x 15	
110	86504797	1.0	adjusting washer		PS 70 x 90 x 2	
115	87006101	1.0	slide bearing igludur G		Ro 5 x 15 x 75	
120	74402106	1.0	hub		Rd 130 x 60	
125	86500304	1.0	hexagon nut ISO7040 galv		N M 10	
130	86502087	1.0	hexagon screw ISO4017 galv		M 10 x 45	
135	73217208	1.0	lubrication lug		Bl 2 x 90 x 97,4	
140	87000609	4.0	cutting ring	HYV-D-06-LL		



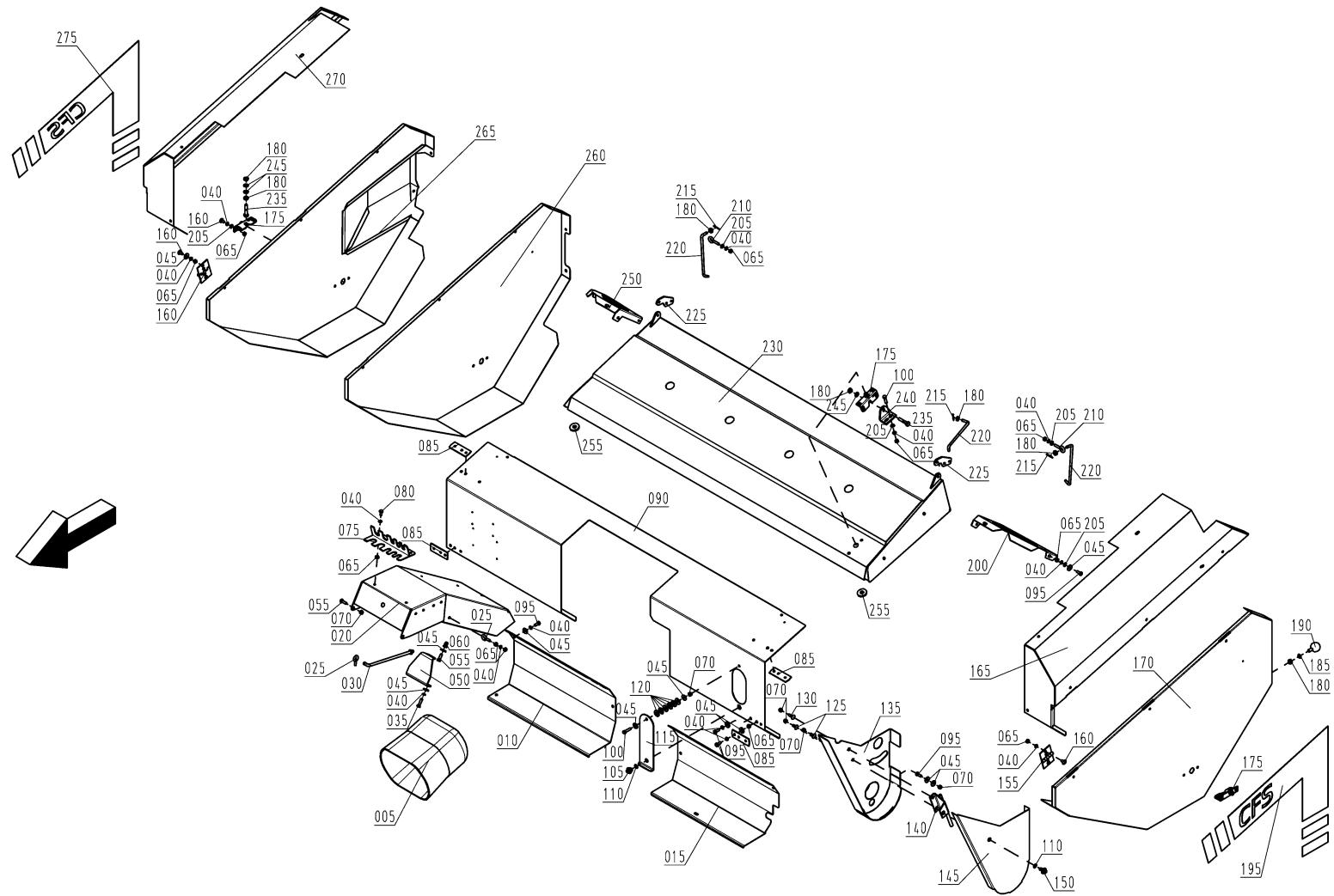
Pos.	Order No.	Pcs.	Description	Detailing	Dimension	Comment
145	87000627	4.0	union nut	HYV-M-06-LL-CF		
150	88001761	#	tube PA 12 H LT		6 x 1,5 / Meterware	



Pos.	Order No.	Pcs.	Description	Detailing	Dimension	Comment
005	74411711	1.0	press frame tot			
015	74411716	1.0	cover le tot			
020	74422241	1.0	cover		BI 6 x 169 x 486,5	
025	86503041	#	round-head screw DIN603 galv		M 10 x 30	
030	86501106	#	washer ISO7089-A10.5 galv			
035	86500304	#	hexagon nut ISO7040 galv		N M 10	
040	86501347	1.0	hexagon screw ISO4017		M 10 x 30	
045	74411266	1.0	bracket		BI 3 x 137,3 x 207,5	
050	74411293	1.0	cover plate		BI 3 x 320,3 x 1638	
055	74415203	1.0	perforated strut		BI 5 x 40 x 1400	
060	86500754	#	spring washer DIN127 galv		A 10	
065	86502028	#	hexagon screw ISO4017 galv		M 10 x 25	
070	74436700	1.0	conveying trough tot			
075	73215703	32.0	stripper tot			
080	86502039	2.0	hexagon screw ISO4017 galv		M 10 x 120	
085	74411304	2.0	spacer tube		Ro 74 x 25 x 13	
090	74411287	1.0	hose holder		BI 2 x 262,9 x 519,5	since YOM 2015
095	86502014	2.0	hexagon screw ISO4017 galv		M 8 x 20	since YOM 2015
100	86503004	#	round-head screw DIN603 galv		M 8 x 20	since YOM 2015
105	86501116	#	washer ISO7089-A 8.4 galv			since YOM 2015
110	86500203	4.0	hexagon nut ISO4032 galv		M 8	since YOM 2015
115	86500303	4.0	hexagon nut ISO7040 galv		N M 8	since YOM 2015
120	74411288	2.0	cover		BI 3 x 162 x 289,8	since YOM 2015

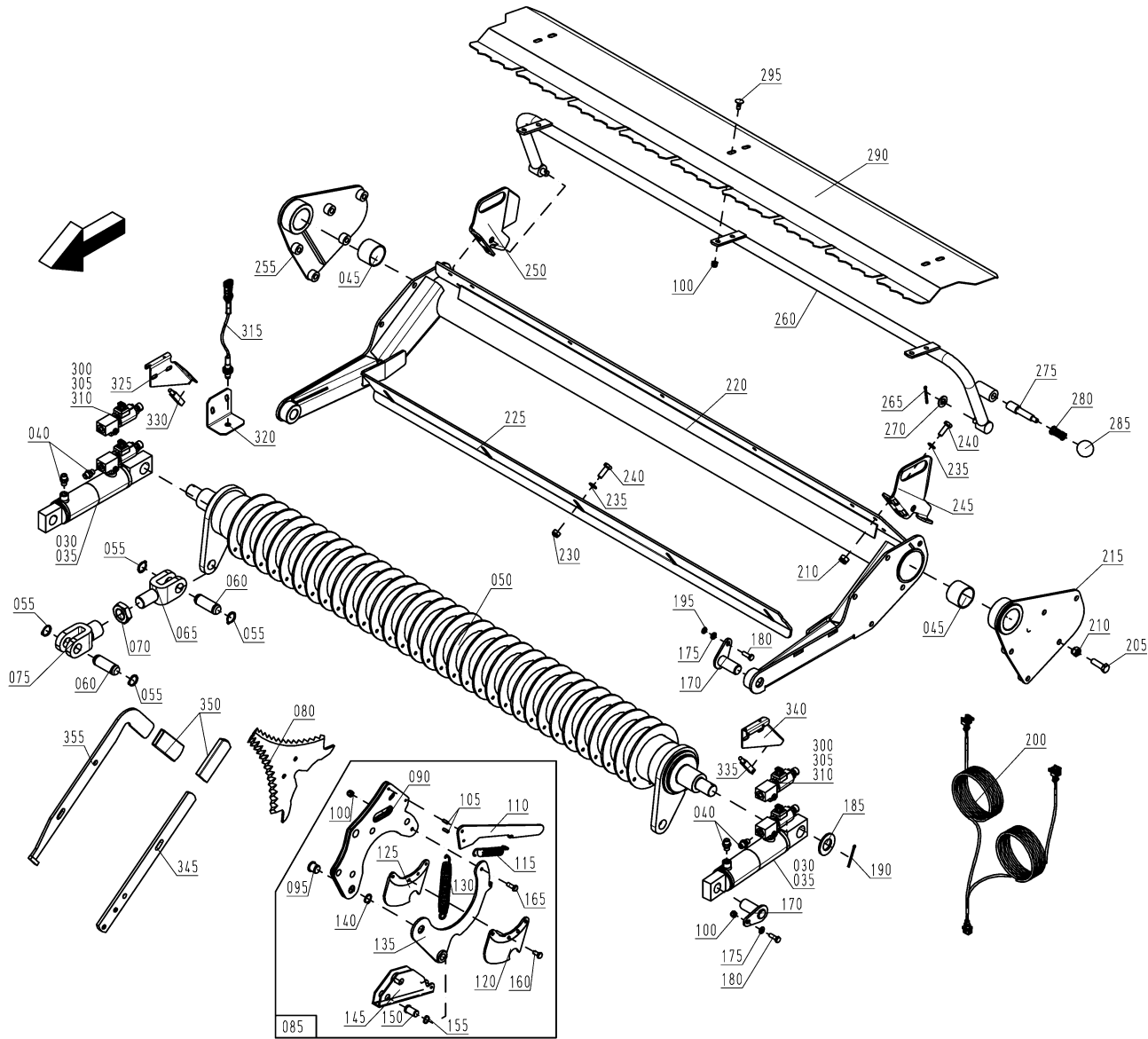


Pos.	Order No.	Pcs.	Description	Detailing	Dimension	Comment
005	50422500	1.0	protective sleeve f drive			
010	74422202	1.0	cover ri		BI 1,25 x 454,4 x 592	
015	74422201	1.0	cover le		BI 1,25 x 458 x 595	
020	74422208	1.0	hydraulics protective device		BI 2 x 552,3 x 843,5	
025	86503680	2.0	eyebolt galv		M 8 x 20 / "ARTIKEL 48"	
030	51570702	1.0	support tot			
035	86502016	#	hexagon screw ISO4017 galv		M 8 x 30	
040	86500753	#	spring washer DIN127 galv		A 8	
045	86501105	#	washer ISO7093 galv		A 8,4	
050	74422234	1.0	mounting bracket		BI 4 x 120 x 171,7	
055	86502015	#	hexagon screw ISO4017 galv		M 8 x 25	
060	88004546	#	blind rivet nut M8 6kt		M 8 Sw11 lg19	
065	86500203	#	hexagon nut ISO4032 galv		M 8	
070	86500303	#	hexagon nut ISO7040 galv		N M 8	
075	41070206	1.0	hose holder		BI 3 x 92,8 x 215	
080	86502013	#	hexagon screw ISO4017 galv		M 8 x 16	
085	74422221	4.0	protective lug galv		BI 3 x 35 x 100	
090	74422711	1.0	drawbar protective device tot			
095	86502014	#	hexagon screw ISO4017 galv		M 8 x 20	
100	86502017	#	hexagon screw ISO4017 galv		M 8 x 35	
105	87004261	1.0	slotted head hexagon WS13			
110	87004258	#	retaining washer			
115	74422233	1.0	flap		BI 3 x 80 x 273,3	
120	86505266	6.0	disc spring Dacromet		28 x 12,2 x 1	
125	86503004	#	round-head screw DIN603 galv		M 8 x 20	
130	86503005	#	round-head screw DIN603 galv		M 8 x 25	
135	74422703	1.0	chain case tot			



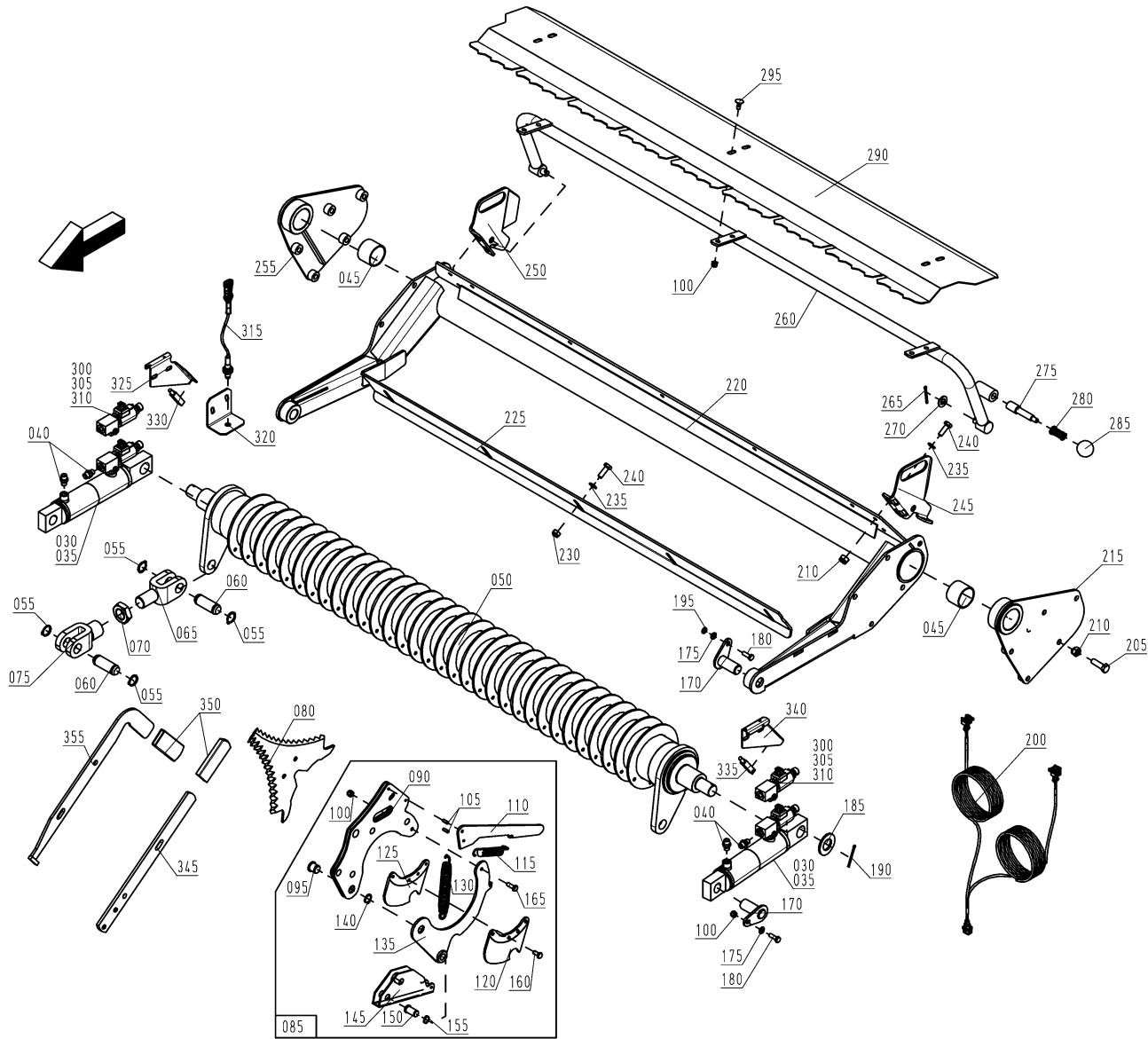
Pos.	Order No.	Pcs.	Description	Detailing	Dimension	Comment
140	74422704	1.0	locking bracket tot			
145	74422207	1.0	chain case		BI 1,25 x 370,4 x 639,3	
150	87004260	1.0	slotted head hexagon WS13			
155	24105515	#	hinge galv		60 x 46 x 46 x 2 mm	
160	86503044	#	round-head screw galv	M8x16 ohne 4kt mit Schlitz	M 8 x 16	
165	74422705	1.0	hinge carrier le tot			
170	74422216	1.0	cover le		BI 1,25 x 1004,8 x 1341,8	
175	87004300	3.0	flap lock KV 500-01			
180	86500204	#	hexagon nut ISO4032 galv		M 10	
185	86500754	#	spring washer DIN127 galv		A 10	
190	86506849	1.0	ball knob No. 406 black		40 x M 10x25, AUS PF 31	
195	74406503	1.0	decoration element	DKO_ZLN-CFS li		
200	74422222	1.0	support le		BI 2 x 235,6 x 410,4	
205	86501116	#	washer ISO7089-A 8.4 galv			
210	86503704	3.0	eyebolt galv		M 8 x 30	
215	86504258	3.0	split-pin ISO1234 galv		3,2 x 25	
220	56622101	3.0	locking hook ri galv		Rd 8 x 250	
225	74422224	2.0	hinge flap		BI 5 x 50,5 x 99	
230	74422710	1.0	bonnet tot			
235	86502031	#	hexagon screw ISO4014 galv		M 10 x 50	
240	74422225	1.0	folded sheet		BI 5 x 60 x 92	
245	86501106	2.0	washer ISO7089-A10.5 galv			
250	74422223	1.0	support ri		BI 2 x 235,6 x 410,4	
255	25331501	2.0	round plastic plate		Dr 40 x 6	
260	74422217	1.0	cover ri		BI 1,25 x 1004,8 x 1341,8	/ Zelon CFS 2501,Zelon CFS 2901,Zelon CFS 3301
265	74422709	1.0	side protector DO tot			/ Zelon CFS 2501 DO,Zelon CFS 2901 DO,Zelon CFS 3301 DO
270	74422706	1.0	hinge carrier ri tot			/ Zelon CFS 2501 DO,Zelon CFS 2901 DO,Zelon CFS 3301 DO
275	74406504	1.0	decoration element	DKO_ZLN-CFS re		

005
010
015
020
025



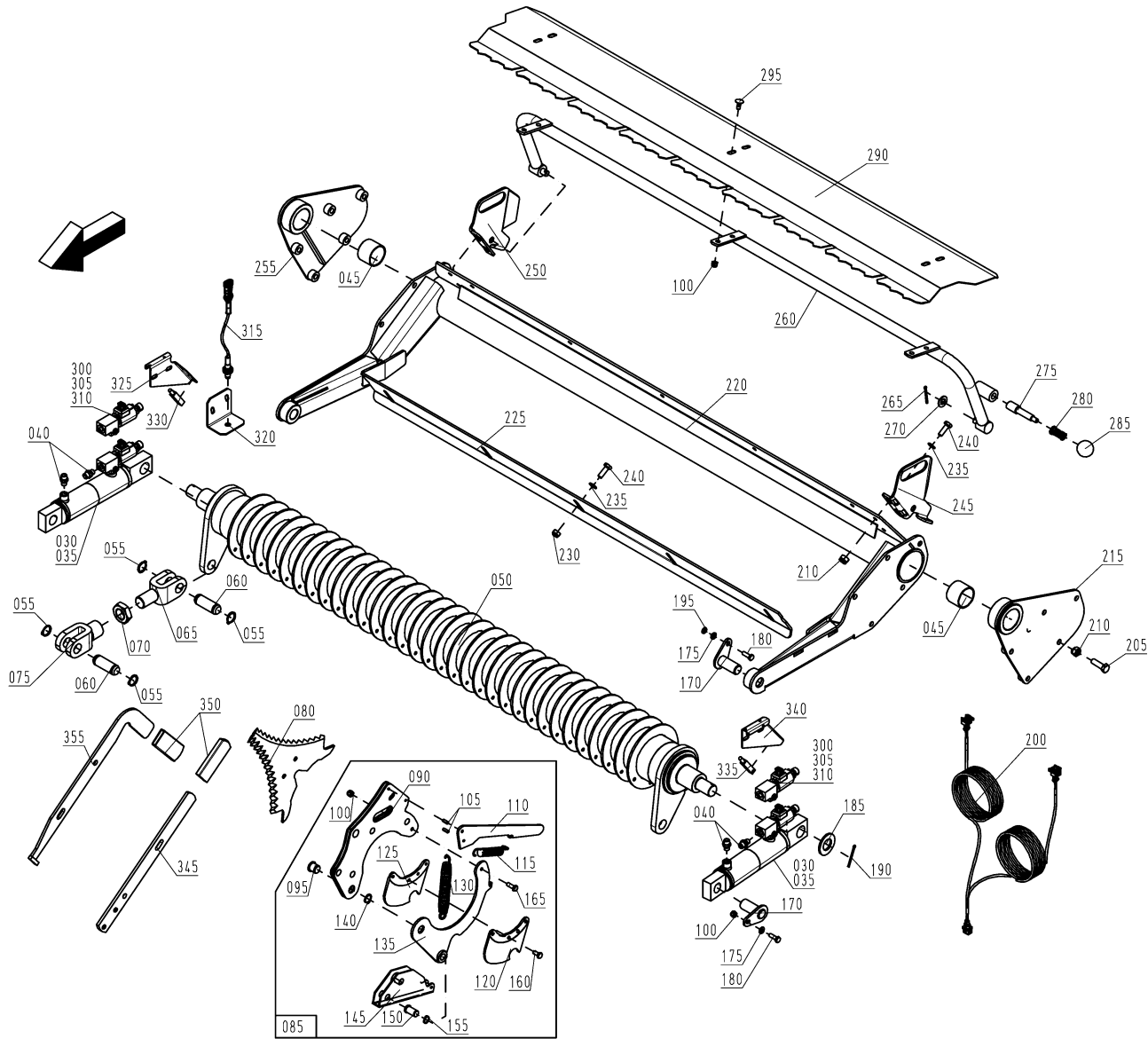
Pos.	Order No.	Pcs.	Description	Detailing	Dimension	Comment
005	74436601	1.0	receiver pipe cpl			
010	89003001	1.0	knife sharpening device 380V		L1050/B520/H1130	
015	89003302	1.0	knife sharpening device 220V		L1050/B520/H1130	
020	89003023	1.0	replacement cup wheel			
025	89003034	1.0	knife mount	1297		
030	73536502	2.0	hydraulic cylinder DA	HYZ-DW-050/025-310-120		
035	87003943	1.0	seal kit f hydraulic cylinder			
040	86501168	4.0	screw-in bolt straight	HYV-GE-08-L-M-12x1.5-ED-ROU-CF		
045	86506107	2.0	slide bearing G IGLIDUR			
050	74436701	1.0	receiver pipe tot			
055	86504596	8.0	circlip DIN471-AS25x2			
060	51536100	4.0	bolt galv	Bolzen_N_025.0x071.0	Rd 25 h9 x 72	
065	56636721	2.0	upper link fork tot			
070	86500227	2.0	hexagon nut ISO4035 galv		M 30	
075	56636722	2.0	upper link w bushing tot			
080	50436507	1.0	cutting knife			
085	73236614	1.0	knife protection divided cpl			
090	73236716	1.0	outer ring top tot galv			
095	73236112	1.0	bolt galv		Rd 25 h9 x 21	
100	86500303	#	hexagon nut ISO7040 galv		N M 8	
105	86504031	3.0	tensioning pin ISO8752	DACROMET	6 x 16	
110	73236252	1.0	locking lever		Bl 5 x 60,9 x 320,4	
115	50436509	1.0	spring		2,7 x 16,5 x 97	
120	73236253	1.0	receiver lug le KTL		Bl 5 x 116,8 x 138	
125	73236254	1.0	receiver lug ri KTL		Bl 5 x 116,8 x 138	
130	73536503	1.0	spring galv		Rd 3.8x24x153	
135	73236712	1.0	outer ring bo tot galv			
140	86504586	1.0	circlip DIN471-A20x1.2			
145	73236714	1.0	lever tot			
150	51536107	1.0	bolt galv		Rd 20 x 32,2	

005
010
015
020
025

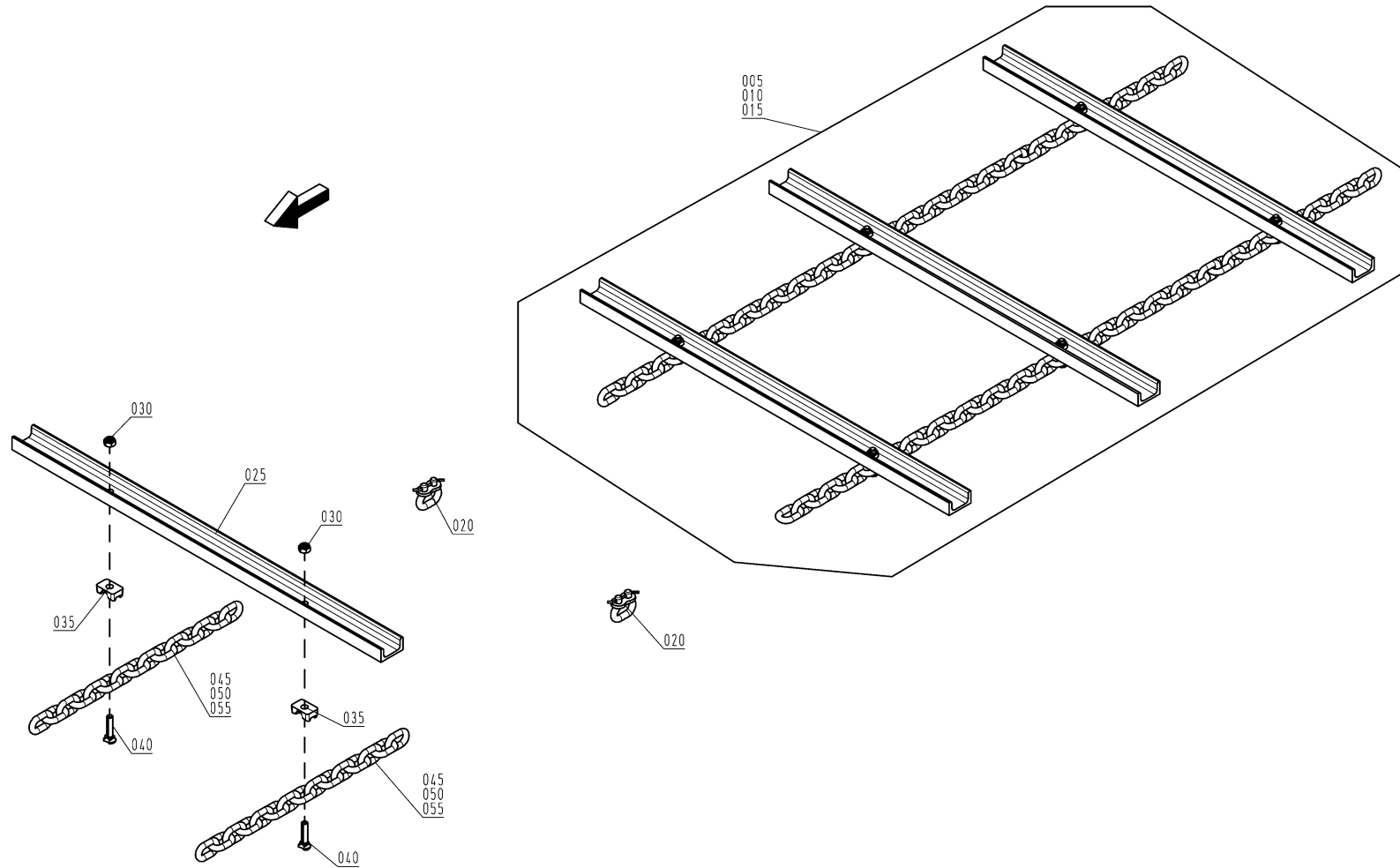


Pos.	Order No.	Pcs.	Description	Detailing	Dimension	Comment
155	86504592	1.0	circlip DIN471-A16x1			
160	51536501	4.0	hexagon screw w shaft galv		M 8 x 17	
165	50436505	1.0	hexagon screw special design galv		M 8 x 23	
170	29552700	4.0	bolt 025.0x057.0 tot			
175	86501116	#	washer ISO7089-A 8.4 galv			
180	86502015	#	hexagon screw ISO4017 galv		M 8 x 25	
185	86501124	2.0	washer ISO7089-A 31 galv			
190	86504209	2.0	split-pin ISO1234 galv		4 x 45	
195	86500753	#	spring washer DIN127 galv		A 8	
200	57570644	1.0	switch cable	EL_KKB_SLT_LW Sperrventil		
205	86502043	10.0	hexagon screw ISO4017 galv		M 12 x 40	
210	86500301	#	hexagon nut ISO7040 galv		N M 12	
215	74436602	1.0	bearing le cpl			
220	74436704	1.0	frame f cutting unit tot			
225	71636237	1.0	plate		BI 5 x 109 x 1422	
230	86500304	#	hexagon nut ISO7040 galv		N M 10	
235	86501106	#	washer ISO7089-A10.5 galv			
240	86502029	#	hexagon screw ISO4017 galv		M 10 x 30	
245	56636271	1.0	lug le		BI 5 x 177,1 x 206	
250	56636272	1.0	lug ri		BI 5 x 177,1 x 206	
255	74436603	1.0	bearing ri cpl			
260	56636720	1.0	cover frame tot			
265	86504203	2.0	split-pin ISO1234 galv		4 x 40	
270	86501107	2.0	washer ISO7089-A 15 galv			
275	50436115	1.0	bolt		Rd 20 x 97	
280	30003506	1.0	pressure spring galv		1,8 x 18,7 x 45,5	
285	86506845	1.0	ball knob No. 406 black		40 x M 10, AUS PF 31	
290	74436218	1.0	cover plate		BI 2 x 293 x 1604	

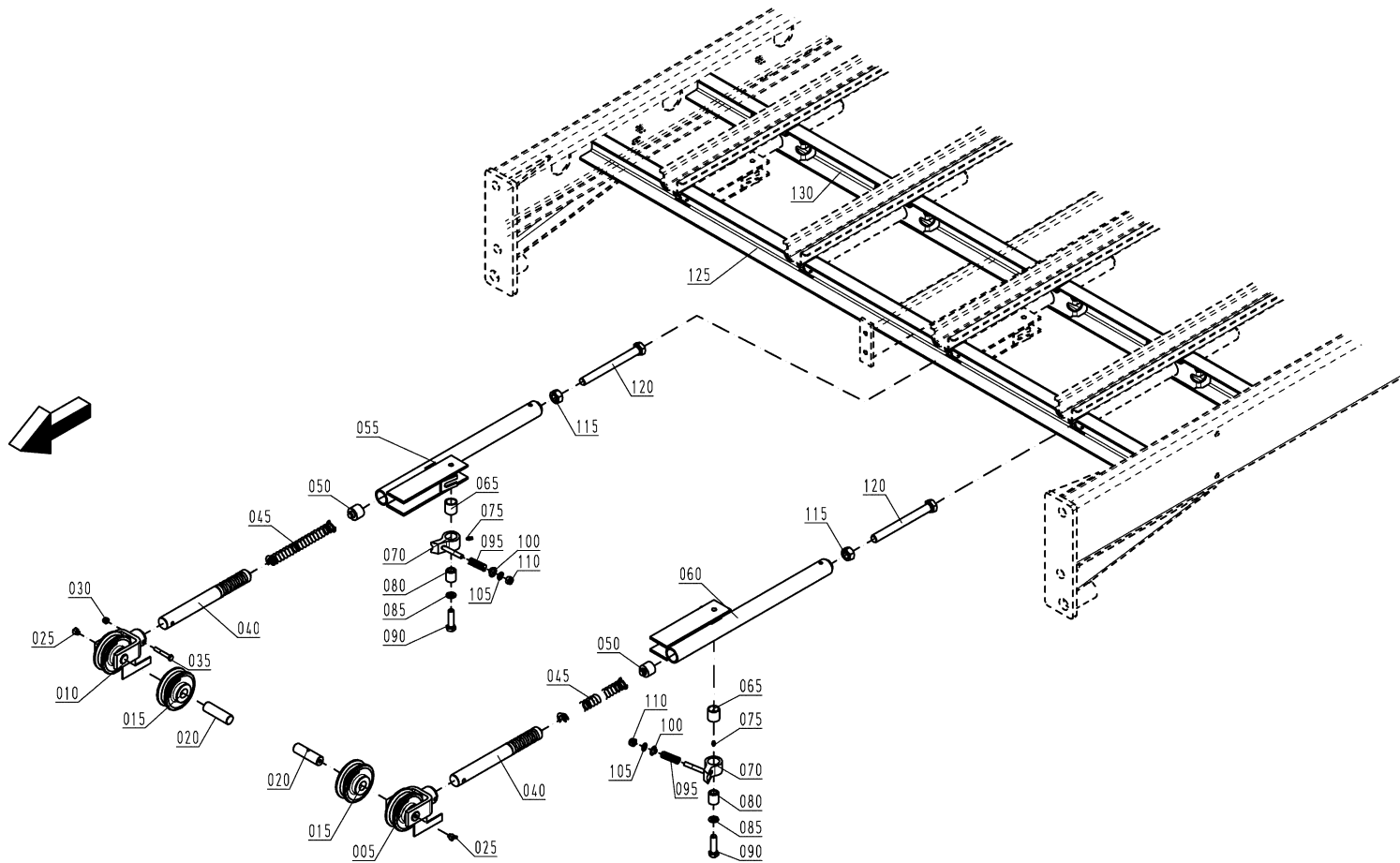
005
010
015
020
025



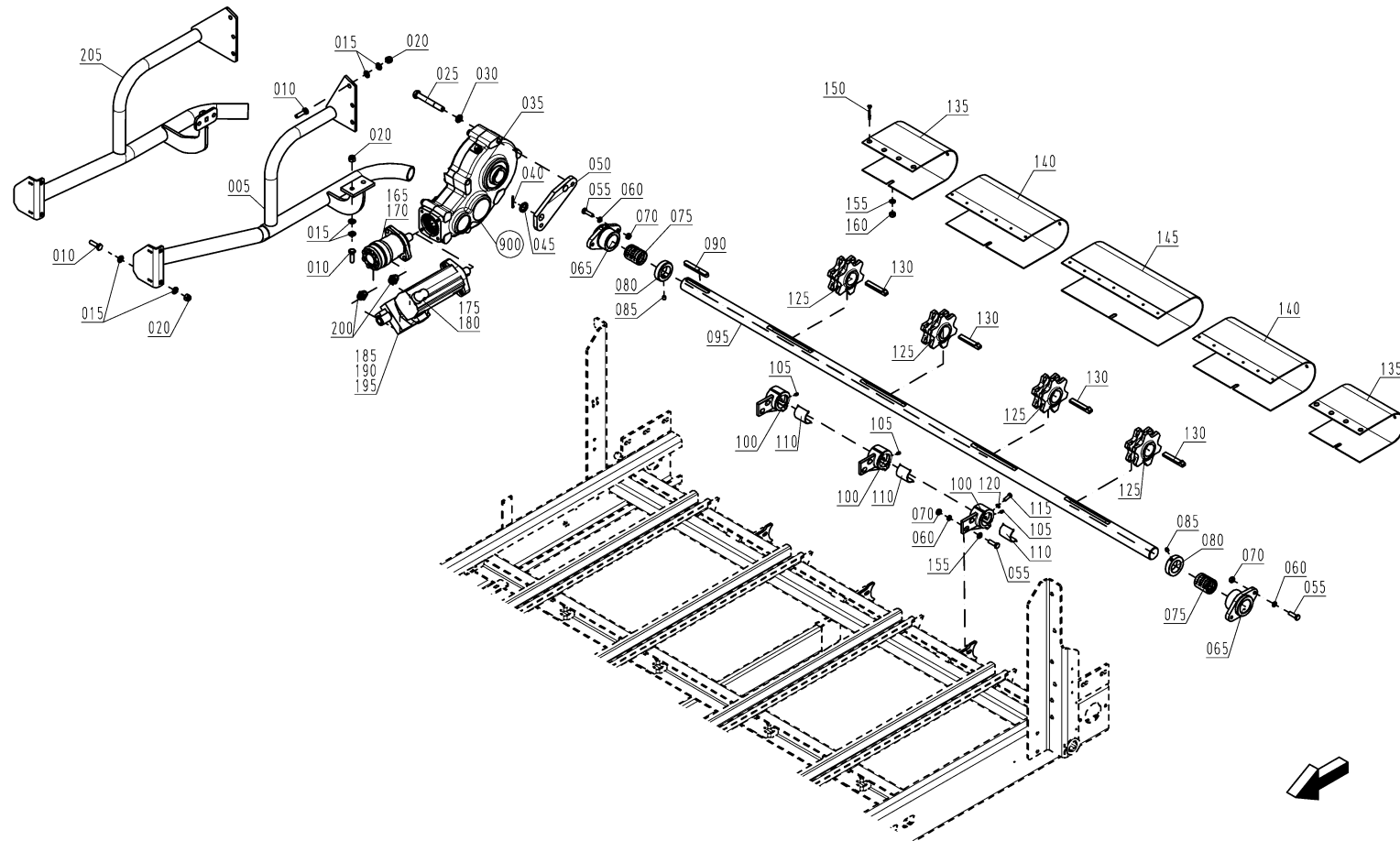
Pos.	Order No.	Pcs.	Description	Detailing	Dimension	Comment
295	86503004	#	round-head screw DIN603 galv		M 8 x 20	
300	87009195	1.0	2/2-directional seat valve			
305	54015506	1.0	solenoid			
310	87009150	1.0	Hydac emergency hand operation			
315	87011898	1.0	proximity sensor	EL_SEN_OBJ_M12 PS KL0.9 SS		
320	73270211	1.0	sensor bracket		BI 3 x 80 x 130,6	
325	73236246	1.0	sensor holder ri		BI 2 x 137,4 x 155,1	
330	87006801	1.0	receiver OR12EE-DDTP-06.0-SL			
335	87006800	1.0	transmitter OR12SE-Doos-06.0-SVC			
340	73236245	1.0	sensor holder le		BI 2 x 137,4 x 155,1	
345	50436712	1.0	knife lever tot galv			
350	32003504	2.0	handle			
355	51536717	1.0	spring-loaded lever galv tot			



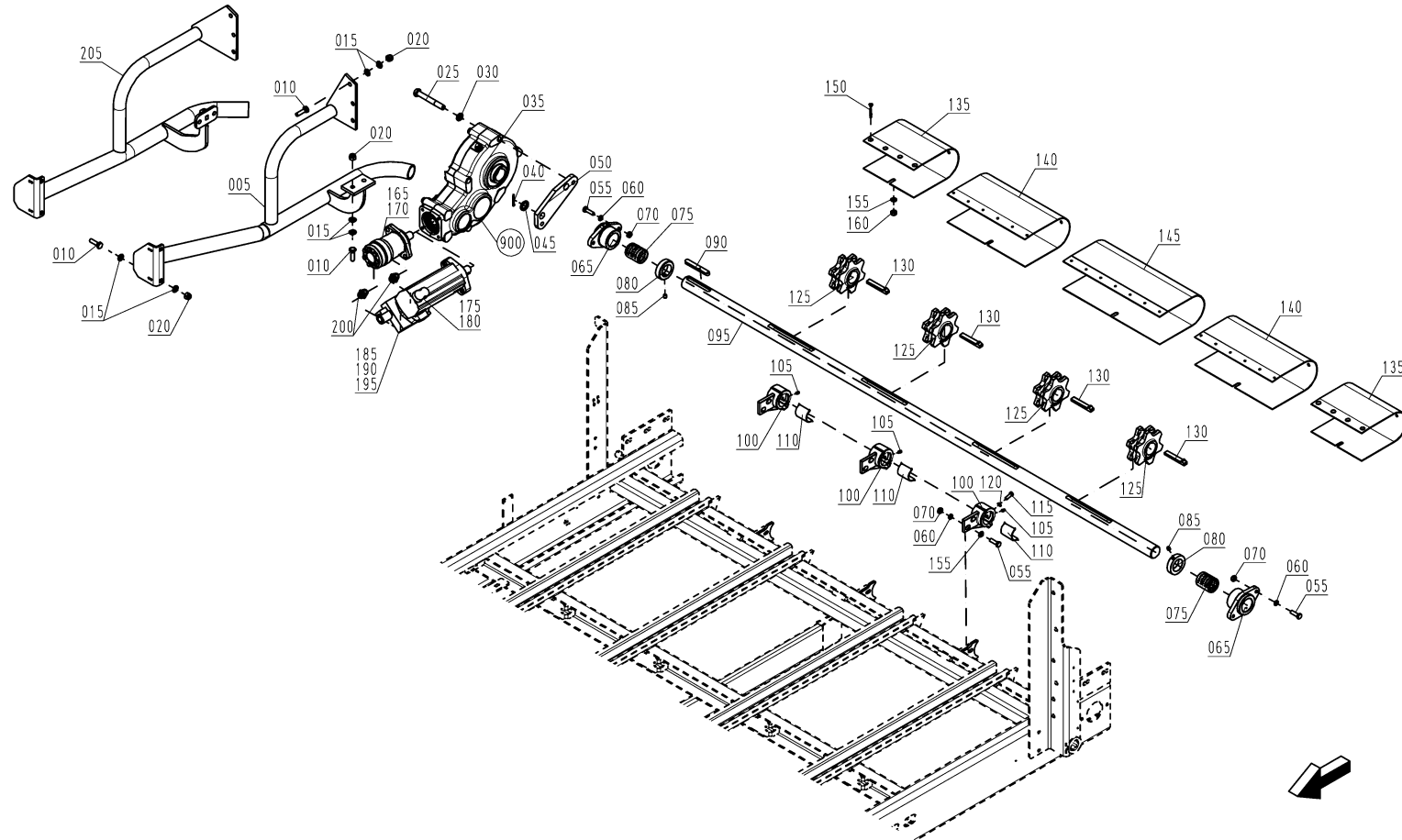
Pos.	Order No.	Pcs.	Description	Detailing	Dimension	Comment
005	74403600	2.0	transport floor cpl	SV 2402		/ Zelon CFS 2501,Zelon CFS 2501 DO
010	74503601	2.0	transport floor cpl	SV 2802		/ Zelon CFS 2901,Zelon CFS 2901 DO
015	74603600	2.0	transport floor cpl	SV 3202		/ Zelon CFS 3301,Zelon CFS 3301 DO
020	86507273	4.0	round st chain-chain link DR11 cpl		11x31 Bruchkraft MIN 132	
025	54703201	#	transport floor strip		50 x 25 x 5 x 845	
030	86500304	#	hexagon nut ISO7040 galv		N M 10	
035	36503401	#	clamping device f chain DR11			
040	36503400	#	locking screw f chain DR11		M 10 x 50	
045	86506519	4.0	round steel chain high-strength		10x31 303 Glieder	/ Zelon CFS 2501,Zelon CFS 2501 DO
050	86506504	4.0	round steel chain high-strength		10x31 353 Glieder	/ Zelon CFS 2901,Zelon CFS 2901 DO
055	86506525	4.0	round steel chain high-strength		10x31 407 Glieder	/ Zelon CFS 3301,Zelon CFS 3301 DO



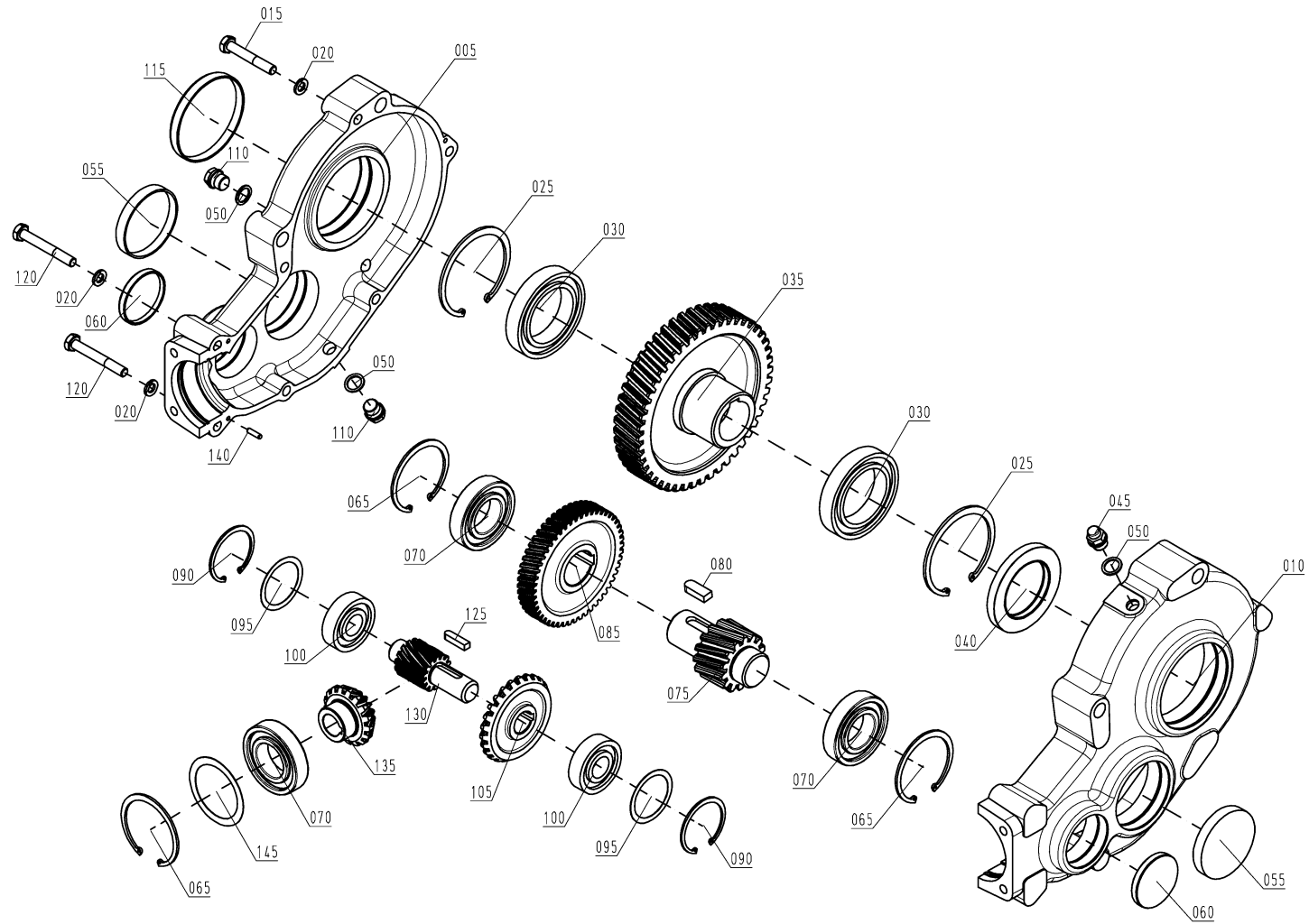
Pos.	Order No.	Pcs.	Description	Detailing	Dimension	Comment
005	74403700	2.0	fork le tot			
010	74403701	2.0	fork ri tot			
015	30003415	4.0	idler roller f chain DR10			
020	30003109	4.0	bolt f tightening roller		Rd 25 x 85	
025	86506411	4.0	lubricating nipple		M 10 x 1 H2 >45^<	
030	86500303	4.0	hexagon nut ISO7040 galv		N M 8	
035	86502021	4.0	hexagon screw ISO4014 galv		M 8 x 55	
040	51203100	4.0	tensioning shaft		Rd 33 h9 x 310	
045	21403500	4.0	pressure spring			
050	21403101	4.0	spring pressure element		Rd 33 x 35	
055	41001715	2.0	tensioning tube le tot			
060	41001714	2.0	tensioning tube ri tot			
065	32003503	4.0	sintered bushing		Dr 25,2 x 30 x 30	
070	35103621	4.0	pawl cpl			
075	86506401	4.0	lubricating nipple		M 6 x 1 H1 >GERADE<	
080	21403102	1.0	bushing		Rd 25 x 32	
085	86500757	4.0	spring washer DIN127 galv		A 14	
090	86502079	4.0	hexagon screw ISO4017 galv		M 14 x 50	
095	30003507	1.0	pressure spring f pawl		Dr 14,5 x 1,8 x 51	
100	86506089	4.0	round eyelet		DR 12 x DR 24 (FA.FREYE)	
105	86501106	4.0	washer ISO7089-A10.5 galv			
110	86500304	4.0	hexagon nut ISO7040 galv		N M 10	
115	86500207	4.0	hexagon nut ISO4032 galv		M 20	
120	86502267	4.0	hexagon screw ISO4017 galv		M 20 x 200	
125	74501200	1.0	bottom support fr		Bl 5 x 164,9 x 2076	
130	74501703	2.0	bottom support central tot			



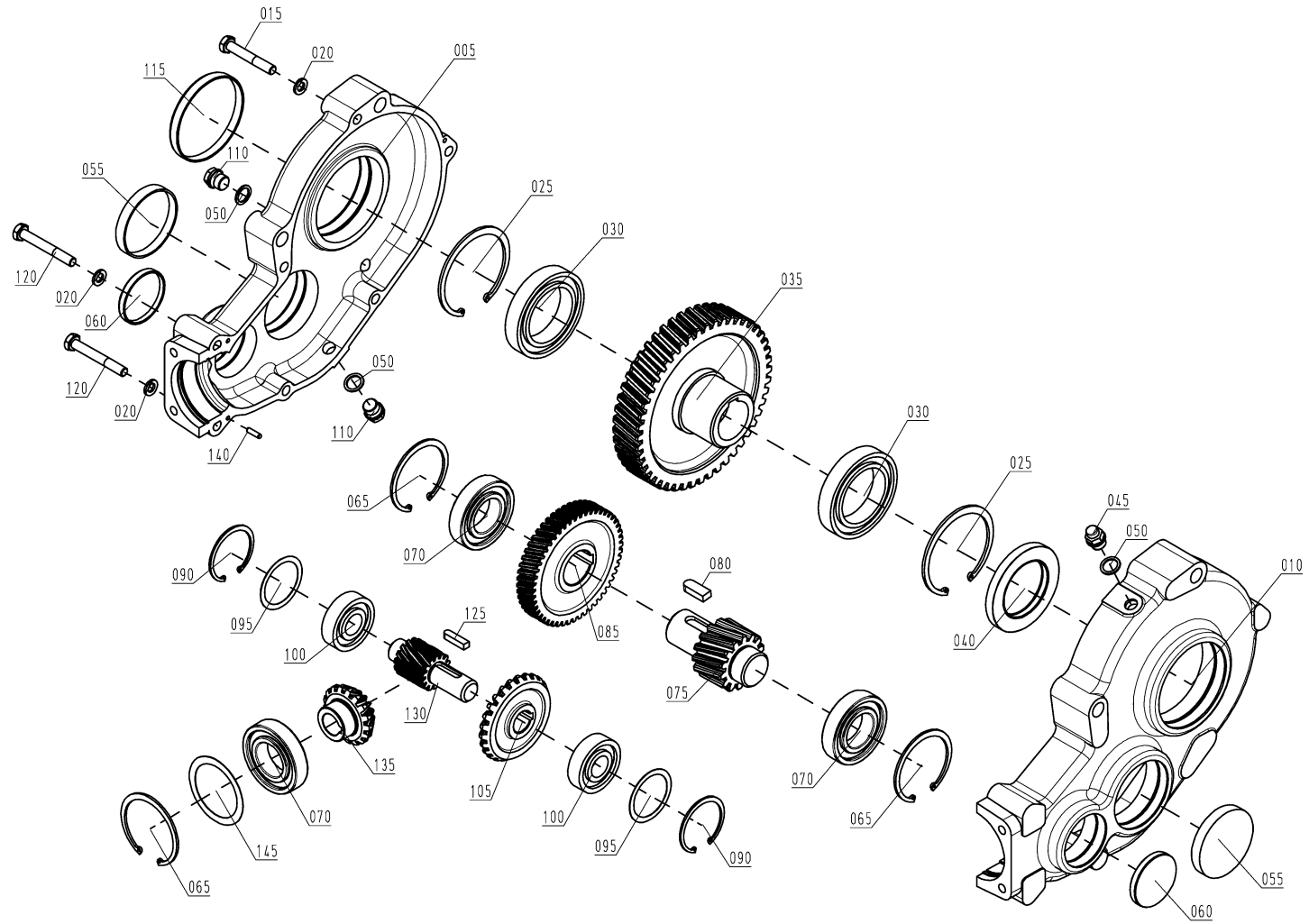
Pos.	Order No.	Pcs.	Description	Detailing	Dimension	Comment
005	51506709	1.0	protective bow ri tot			
010	86502043	7.0	hexagon screw ISO4017 galv		M 12 x 40	
015	86501108	14.0	washer ISO7089-A 13 galv			
020	86500301	7.0	hexagon nut ISO7040 galv		N M 12	
025	86501620	2.0	hexagon screw ISO4014 galv		M 16 x 120	
030	86500758	2.0	spring washer DIN127 galv		A 16	
035	50603601	1.0	feed gearing cpl ri mounted			
040	86504204	1.0	split-pin ISO1234 galv		5 x 36	
045	86501016	1.0	washer f bolt galv		R 23	
050	41003201	1.0	anti-rotation locking mechanism		BI 15 x 70 x 218	
055	86502030	10.0	hexagon screw ISO4017 galv		M 10 x 35	
060	86500754	10.0	spring washer DIN127 galv		A 10	
065	15103601	2.0	feed shaft bearing cpl			
070	86500204	10.0	hexagon nut ISO4032 galv		M 10	
075	41003500	2.0	Wieland bushing B09		45,2 x 50 x 60	
080	86504507	2.0	adjusting ring		A 45	
085	86503375	2.0	threaded pin		M 10 x 12	
090	86505005	1.0	feather key DIN6885-A		14 x 9 x 110	
095	54703101	1.0	feed shaft		Rd 45 x 2240	
100	73203607	3.0	support bearing ET cpl			
105	86506401	3.0	lubricating nipple		M 6 x 1 H1 >GERADE<	
110	15103501	3.0	bearing shell			
115	86501319	6.0	hexagon screw ISO4017		M 8 x 25	
120	86500651	6.0	spring washer DIN127		A 8	
125	74403400	4.0	sprocket wheel z6			
130	86505114	4.0	gib-head key		14 x 9 x 80	
135	56601204	2.0	bottom end plate		BI 2 x 241 x 490,5	
140	56801207	2.0	bottom end plate lateral		BI 2 x 380 x 490	



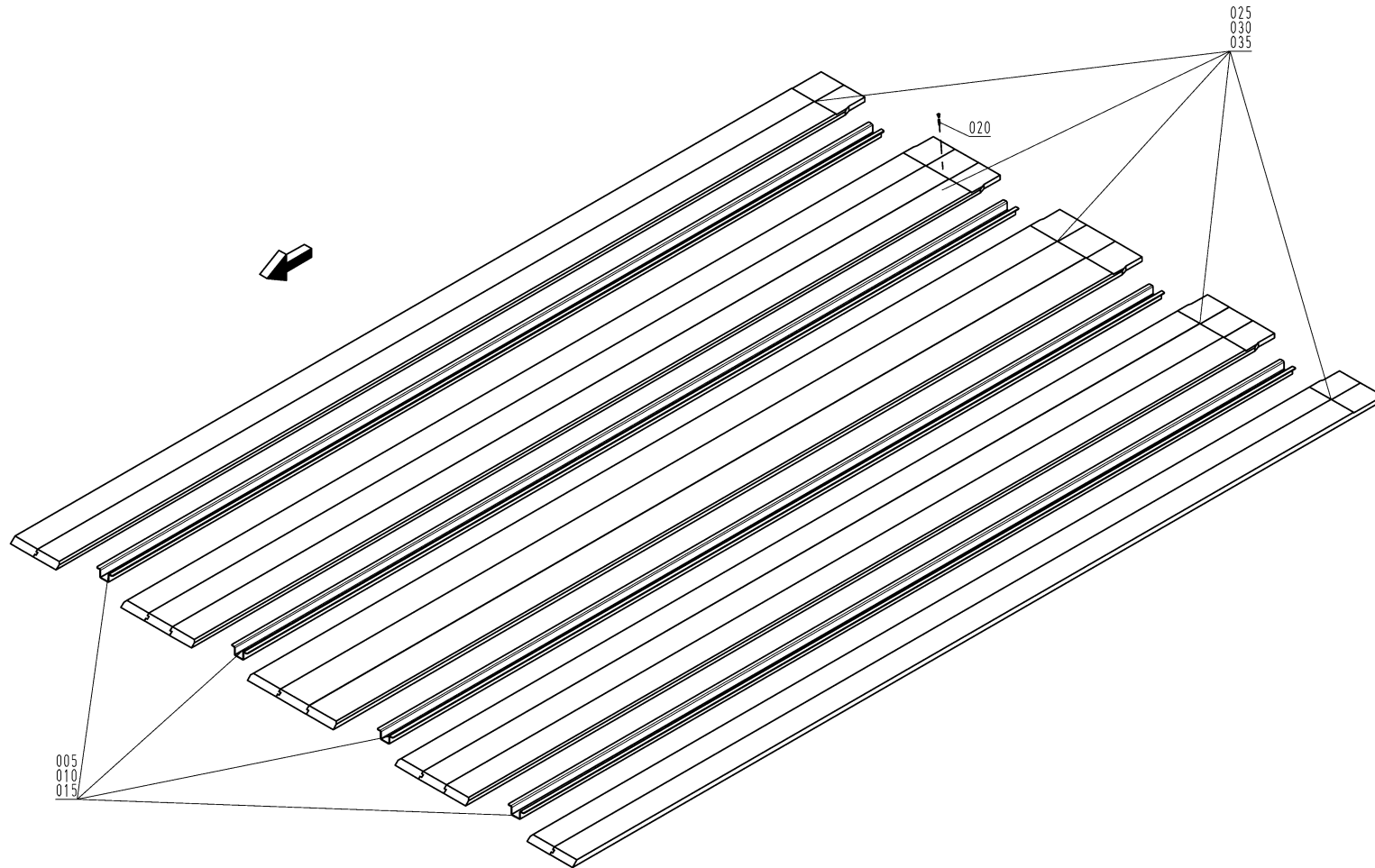
Pos.	Order No.	Pcs.	Description	Detailing	Dimension	Comment
145	56601205	1.0	bottom end plate central		Bl 2 x 460 x 490	
150	86503747	27.0	square drilling screw w wing		6 x 55	
155	86501106	0.0	washer ISO7089-A10.5 galv			
160	86500304	1.0	hexagon nut ISO7040 galv		N M 10	
165	87000069	1.0	hydraulic motor	HYM-B-1-ZR-125-OMP-X	OMP 125-25-2Loch	
170	87010315	1.0	seal kit f hydraulic motor	HYDI-M-OMP/OMR-25er_Welle-Danfoss		
175	87000064	1.0	2-stage hydraulic motor			
180	87010327	1.0	seal kit f hydraulic motor	HYDI-M-2-Stufen-Fluitronics		
185	87009183	1.0	screw-in valve		SV08 - 30 - 0 - N	
190	87008818	1.0	hexagon nut flat-type			
195	87009184	1.0	solenoid			
200	87000484	2.0	screw-in bolt straight	HYV-GE-15-L-R-1/2-ROU-CF		
205	74406700	1.0	protective bow ri tot			



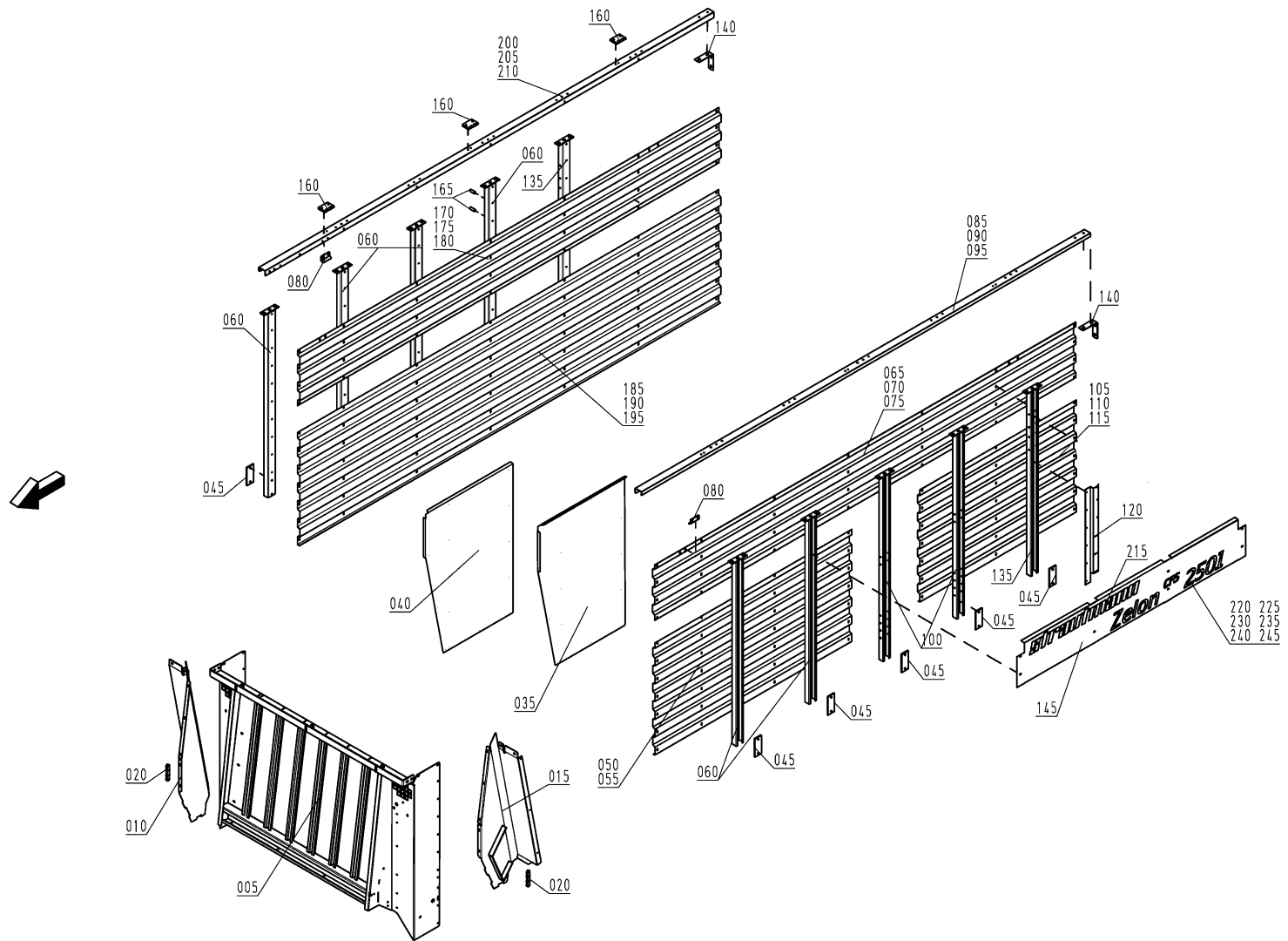
Pos.	Order No.	Pcs.	Description	Detailing	Dimension	Comment
005	36533402	1.0	gearbox casing half ri			
010	36533403	1.0	gearbox casing half le			
015	86501520	5.0	hexagon screw ISO4014		M 10 x 65	
020	86500660	7.0	spring washer DIN127		A 10	
025	86504693	2.0	circlip DIN472-1100x3			
030	86505685	2.0	deep groove ball bearing single-row		6013-2RS1	
035	41003701	1.0	spur gear tot		Z=48; mn=4	
040	86505393	1.0	radial shaft seal		BA SL 65 x 100 x 10	
045	87004626	1.0	bleed valve M16x1.5 0.03-0.05bar			
050	86505306	3.0	copper ring		16 x 22 x 1,5	
055	87006433	2.0	cap		Dr 80 x 10	
060	87004656	2.0	cover		Dr 62x 8	
065	86504653	3.0	circlip DIN472-180x2.5			
070	86505554	3.0	deep groove ball bearing single-row		6208	
075	41003005	1.0	pinion shaft		Dr 70 x 116 / Z=14, m=4	
080	86505013	1.0	feather key DIN6885-AB-12x8x32			
085	41003004	1.0	spur gear		Dr 140 x 32,5 / Z=51, m	
090	86504664	2.0	circlip DIN472-162x2			
095	86504777	2.0	adjusting washer		PS 50 x 62 x 0,5	
100	86505684	2.0	deep groove ball bearing single-row		6305	
105	41003504	1.0	bevel gear		Z=26	
110	86503203	2.0	screwed plug DIN910-M16x1.5			
115	87004655	1.0	cover		Dr 100x12	
120	86501496	2.0	hexagon screw ISO4014		M 10 x 75	
125	86505012	1.0	feather key DIN6885-AB-8x7x32			
130	41003003	1.0	pinion shaft		Dr 45 x 113 / Z=14, m=2	
135	41003503	1.0	bevel pinion		Z=17	



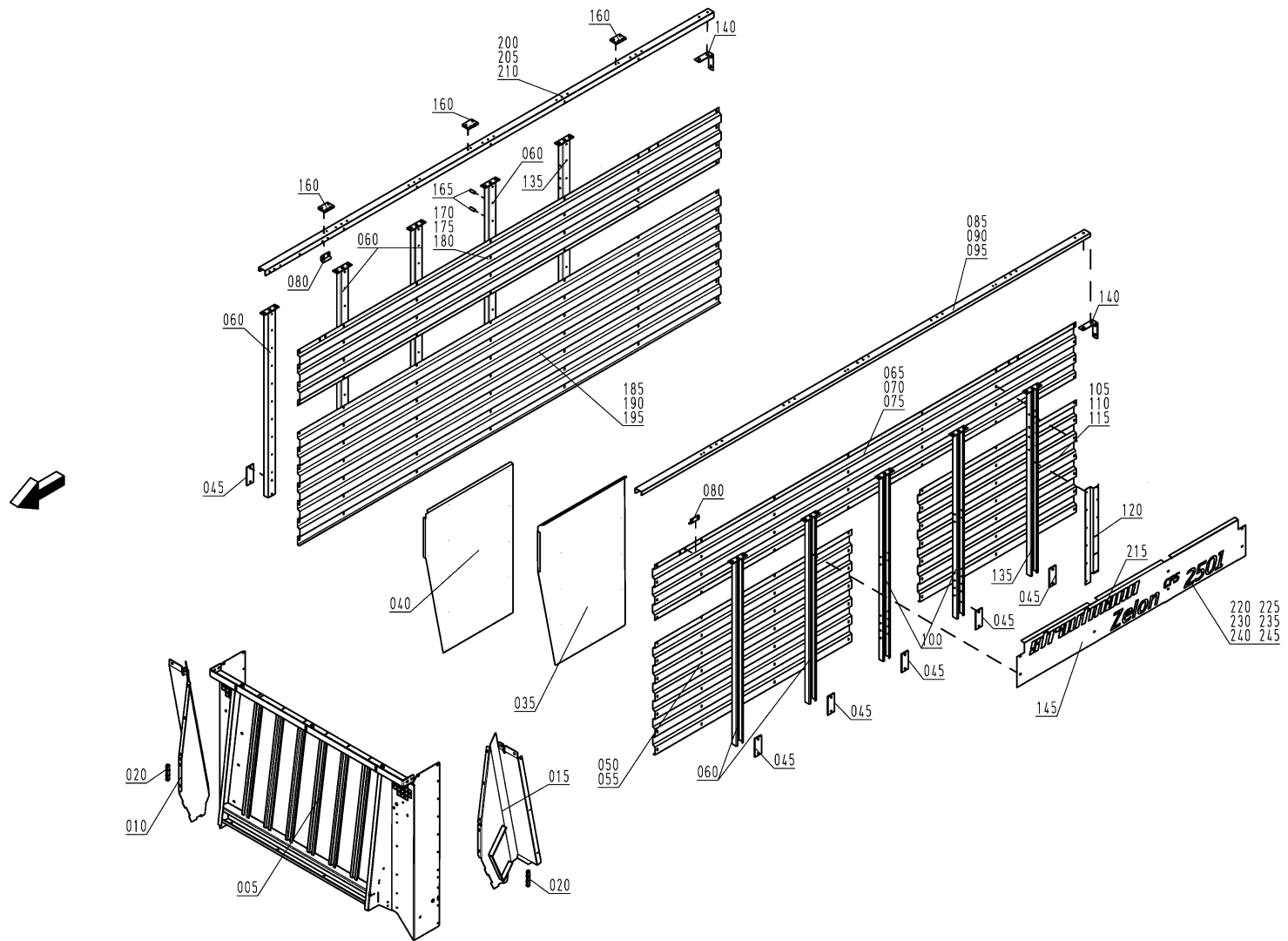
Pos.	Order No.	Pcs.	Description	Detailing	Dimension	Comment
140	86504132	2.0	cylindrical pin		5m6x18	
145	86504787	1.0	adjusting washer		PS 63 x 80 x 0,5	



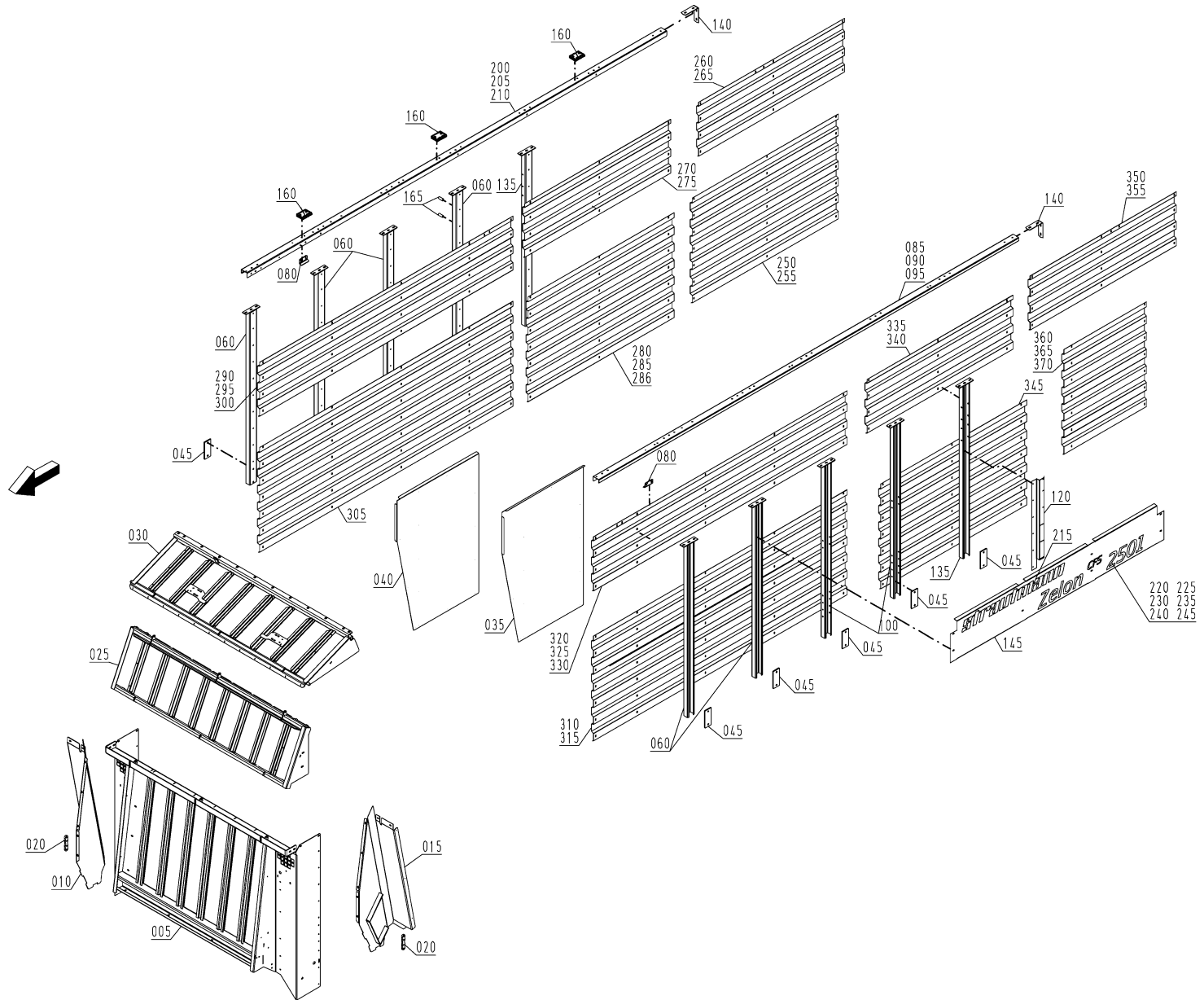
Pos.	Order No.	Pcs.	Description	Detailing	Dimension	Comment
005	55210202	4.0	guide rail L4325 f chain 11x31		Bl 2,5 x 156,4 x 4325	/ Zelon CFS 2501,Zelon CFS 2501 DO
010	41601200	4.0	guide rail L5125 f chain 11x31		Bl 2,5 x 156,4 x 5125	/ Zelon CFS 2901,Zelon CFS 2901 DO
015	44801200	4.0	guide rail L5925 f chain 11x31		Bl 2,5 x 156,4 x 5925	/ Zelon CFS 3301,Zelon CFS 3301 DO
020	86503747	#	square drilling screw w wing		6 x 55	
025	74401800	1.0	wooden floor cpl / 25 thick		225+395+480+395+225 x4540	/ Zelon CFS 2501,Zelon CFS 2501 DO
030	74501800	1.0	wooden floor cpl / 25 thick		225+395+480+395+225 x5340	/ Zelon CFS 2901,Zelon CFS 2901 DO
035	74601800	1.0	wooden floor cpl / 25 thick		225+395+480+395+225 x6140	/ Zelon CFS 3301,Zelon CFS 3301 DO



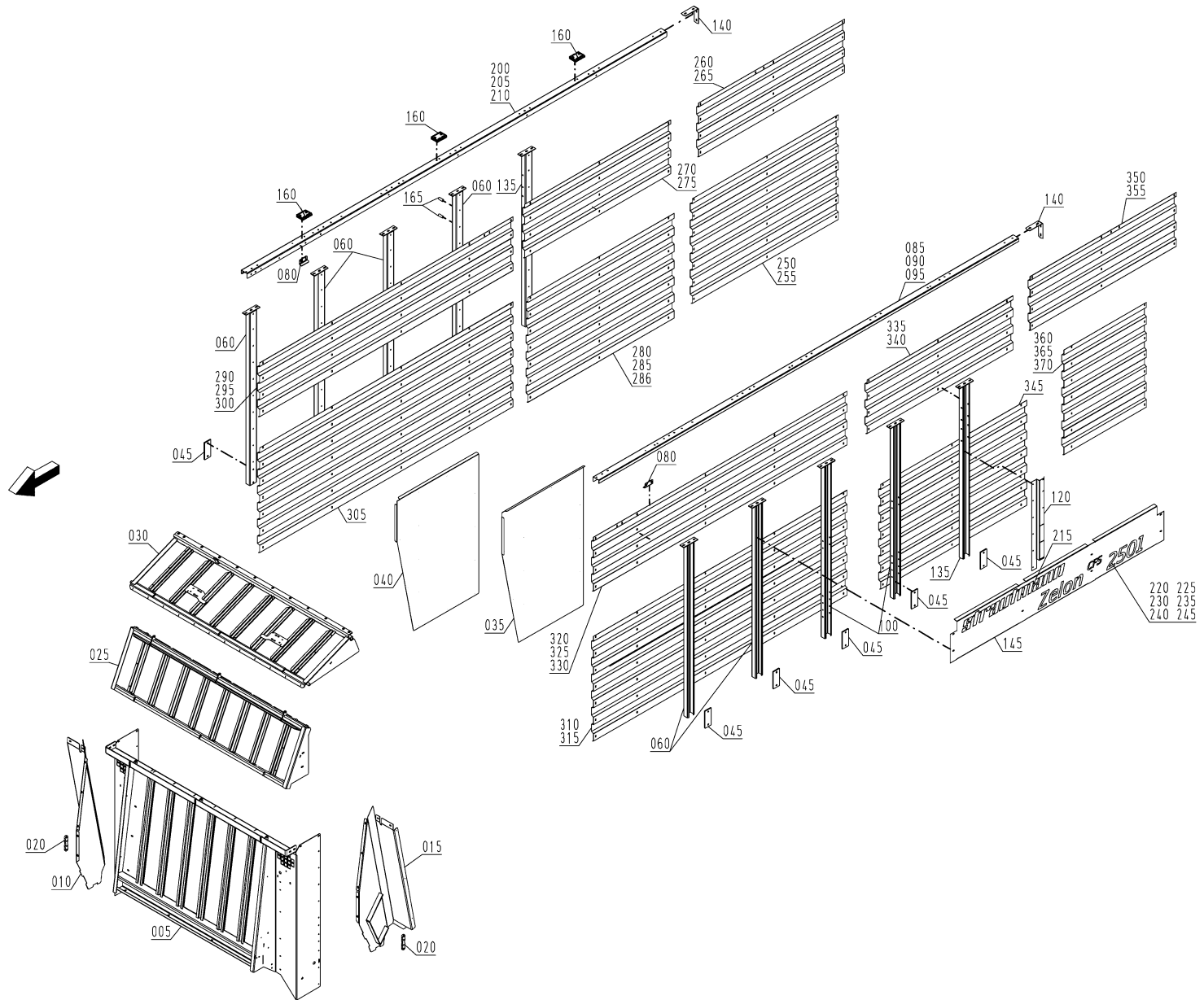
Pos.	Order No.	Pcs.	Description	Detailing	Dimension	Comment
005	74451702	1.0	front grating tot			
010	74451701	1.0	cap ri tot			
015	74451700	1.0	cap le tot			
020	74451222	2.0	lug		BI 12 x 30 x 150	
035	71651207	1.0	reinforcing sheet le		BI 1,25 x 969,3 x 1424,2	
040	71651208	1.0	reinforcing sheet ri		BI 1,25 x 969,3 x 1424,2	
045	50451002	10.0	shim f fixing support		BI 8 x 70 x 170	
050	74451221	1.0	side panel fr bo le		1000,2 x 2130	/ Zelon CFS 2501,Zelon CFS 2501 DO
055	56851206	1.0	side panel fr bo le		1000,2 x 2935	/ Zelon CFS 2901,Zelon CFS 2901 DO,Zelon CFS 3301,Zelon CFS 3301 DO
060	54751701	#	fixing support tot			
065	74451212	1.0	side panel top le		500,2 x 4560	up to YOM 2014 / Zelon CFS 2501,Zelon CFS 2501 DO
070	56851208	1.0	side panel top le		500,2 x 5360	up to YOM 2014 / Zelon CFS 2901,Zelon CFS 2901 DO
075	56551202	1.0	side panel top le		500,2 x 6160	up to YOM 2014 / Zelon CFS 3301,Zelon CFS 3301 DO
080	56851215	1.0	supporting bracket		BI 4 x 64 x 90	
085	74451209	1.0	fixing support le		70x50x35x10x 2,5 x 4860	/ Zelon CFS 2501,Zelon CFS 2501 DO
090	56851202	1.0	fixing support le		70x50x35x10x 2,5 x 5660	/ Zelon CFS 2901,Zelon CFS 2901 DO
095	56551200	1.0	fixing support le		70x50x35x10x 2,5 x 6460	/ Zelon CFS 3301,Zelon CFS 3301 DO
100	54751702	2.0	fixing support f entry tot			
105	74451211	1.0	side panel re bo le		1000,2 x 1690	/ Zelon CFS 2501,Zelon CFS 2501 DO
110	56651239	1.0	side panel re bo le		1000,2 x 1690	/ Zelon CFS 2901,Zelon CFS 2901 DO
115	56551204	1.0	side panel re bo le		1000,2 x 2490	/ Zelon CFS 3301,Zelon CFS 3301 DO
120	56670200	1.0	duct		BI 1,25 x 160,5 x 802	/ Zelon CFS 2501,Zelon CFS 2901,Zelon CFS 3301
135	56651709	#	fixing support tot			
140	56651228	2.0	bracket		BI 3 x 50 x 311,9	
145	56651256	2.0	plate f lettering		BI 1,5 x 441,1 x 2475	
160	50451500	3.0	hinge		100 x 130	
165	50257307	8.0	spacer tube		Ro 18 x 1,5 x 47	
170	74451213	1.0	side panel top ri		500,2 x 4560	up to YOM 2014 / Zelon CFS 2501,Zelon CFS 2501 DO
175	56851209	1.0	side panel top ri		500,2 x 5360	up to YOM 2014 / Zelon CFS 2901,Zelon CFS 2901 DO



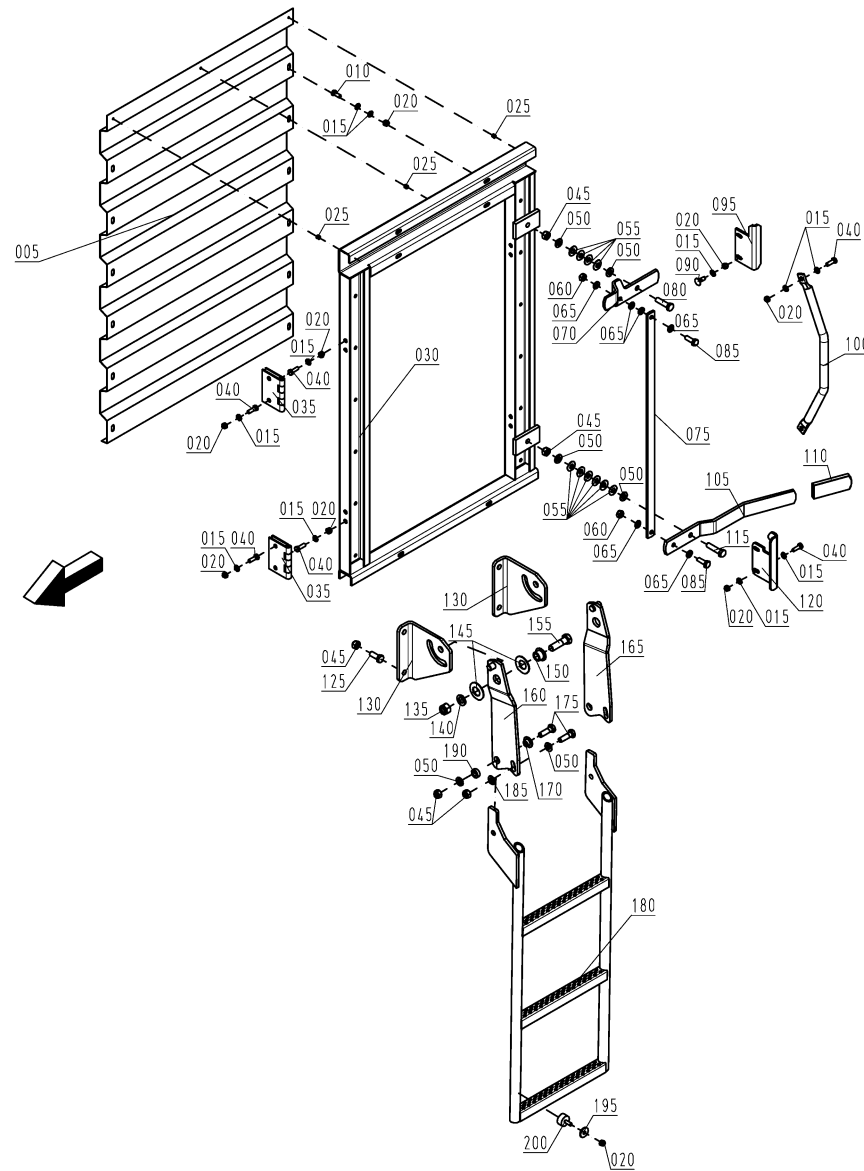
Pos.	Order No.	Pcs.	Description	Detailing	Dimension	Comment
180	56551203	1.0	side panel top ri		500,2 x 6160	up to YOM 2014 / Zelon CFS 3301,Zelon CFS 3301 DO
185	74451214	1.0	side panel bo ri		1000,2 x 4560	
190	56851207	1.0	side panel bo ri		1000,2 x 5360	
195	56551205	1.0	side panel bo ri		1000,2 x 6160	
200	74451210	1.0	fixing support ri		70x50x35x10x 2,5 x 4860	
205	56851203	1.0	fixing support ri		70x50x35x10x 2,5 x 5660	
210	56551201	1.0	fixing support ri		70x50x35x10x 2,5 x 6460	
215	87010100	2.0	foil lettering	FSZ_Strautmann L1190		
220	74406501	2.0	foil lettering	FSZ_Zelon CFS 2501		
225	74706500	2.0	foil lettering	FSZ_Zelon CFS 2501 DO		
230	74506500	2.0	foil lettering	FSZ_Zelon CFS 2901		
235	74806500	2.0	foil lettering	FSZ_Zelon CFS 2901 DO		
240	74606500	2.0	foil lettering	FSZ_Zelon CFS 3301		
245	74906500	2.0	foil lettering	FSZ_Zelon CFS 3301 DO		



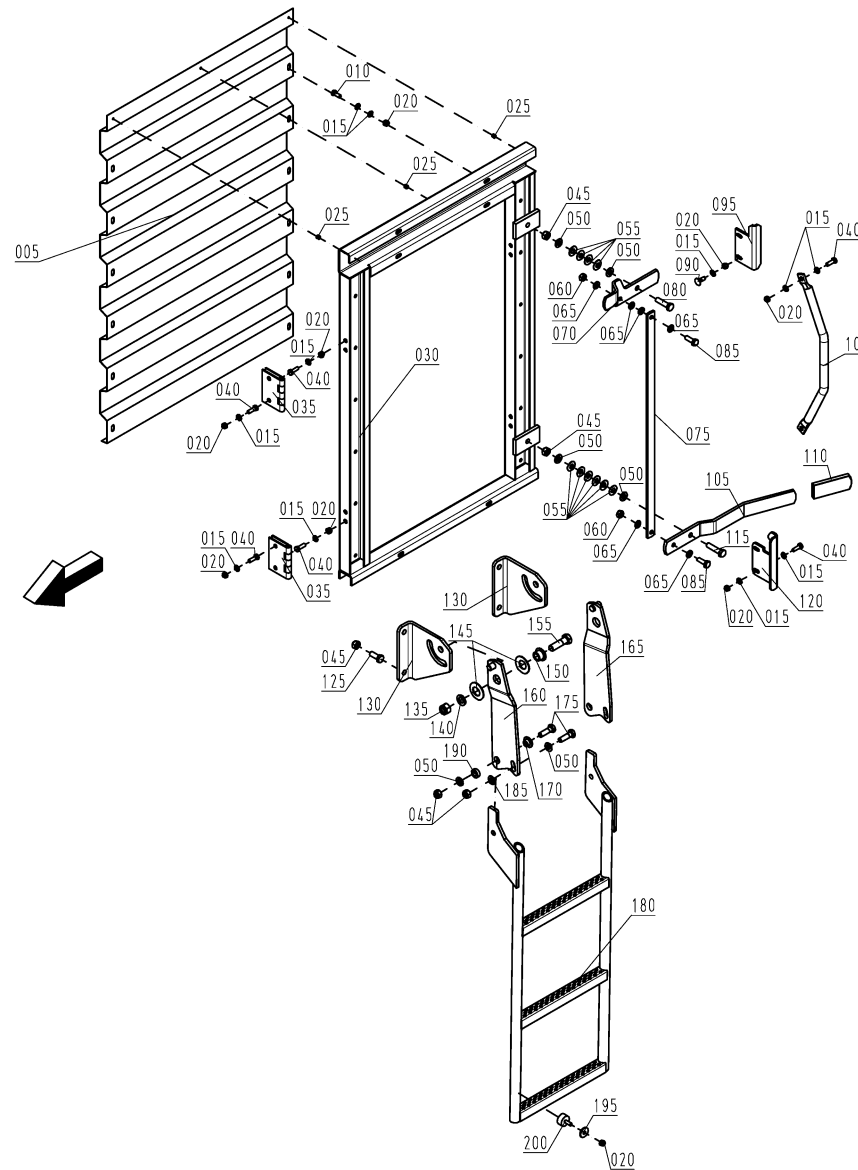
Pos.	Order No.	Pcs.	Description	Detailing	Dimension	Comment
005	74451702	1.0	front grating tot			
010	74451701	1.0	cap ri tot			
015	74451700	1.0	cap le tot			
020	74451222	2.0	lug		BI 12 x 30 x 150	
035	71651207	1.0	reinforcing sheet le		BI 1,25 x 969,3 x 1424,2	
040	71651208	1.0	reinforcing sheet ri		BI 1,25 x 969,3 x 1424,2	
045	50451002	10.0	shim f fixing support		BI 8 x 70 x 170	
060	54751701	#	fixing support tot			
080	56851215	1.0	supporting bracket		BI 4 x 64 x 90	
085	74451209	1.0	fixing support le		70x50x35x10x 2,5 x 4860	/ Zelon CFS 2501,Zelon CFS 2501 DO
090	56851202	1.0	fixing support le		70x50x35x10x 2,5 x 5660	/ Zelon CFS 2901,Zelon CFS 2901 DO
095	56551200	1.0	fixing support le		70x50x35x10x 2,5 x 6460	/ Zelon CFS 3301,Zelon CFS 3301 DO
100	54751702	2.0	fixing support f entry tot			
120	56670200	1.0	duct		BI 1,25 x 160,5 x 802	/ Zelon CFS 2501,Zelon CFS 2901,Zelon CFS 3301
135	56651709	#	fixing support tot			
140	56651228	2.0	bracket		BI 3 x 50 x 311,9	
145	56651256	2.0	plate f lettering		BI 1,5 x 441,1 x 2475	
160	50451500	3.0	hinge		100 x 130	
165	50257307	8.0	spacer tube		Ro 18 x 1,5 x 47	
200	74451210	1.0	fixing support ri		70x50x35x10x 2,5 x 4860	/ Zelon CFS 2501,Zelon CFS 2501 DO
205	56851203	1.0	fixing support ri		70x50x35x10x 2,5 x 5660	/ Zelon CFS 2901,Zelon CFS 2901 DO
210	56551201	1.0	fixing support ri		70x50x35x10x 2,5 x 6460	/ Zelon CFS 3301,Zelon CFS 3301 DO
215	87010100	2.0	foil lettering	FSZ_Strautmann L1190		
220	74406501	2.0	foil lettering	FSZ_Zelon CFS 2501		/ Zelon CFS 2501
225	74706500	2.0	foil lettering	FSZ_Zelon CFS 2501 DO		/ Zelon CFS 2501 DO
230	74506500	2.0	foil lettering	FSZ_Zelon CFS 2901		/ Zelon CFS 2901
235	74806500	2.0	foil lettering	FSZ_Zelon CFS 2901 DO		/ Zelon CFS 2901 DO
240	74606500	2.0	foil lettering	FSZ_Zelon CFS 3301		/ Zelon CFS 3301
245	74906500	2.0	foil lettering	FSZ_Zelon CFS 3301 DO		/ Zelon CFS 3301 DO
250	74451225	1.0	side panel re bo ri		1000,2 x 1690	/ Zelon CFS 2501,Zelon CFS 2501 DO
255	71251200	1.0	side panel re bo ri		1000,2 x 1690	/ Zelon CFS 2901,Zelon CFS 2901 DO,Zelon CFS 3301,Zelon CFS 3301 DO



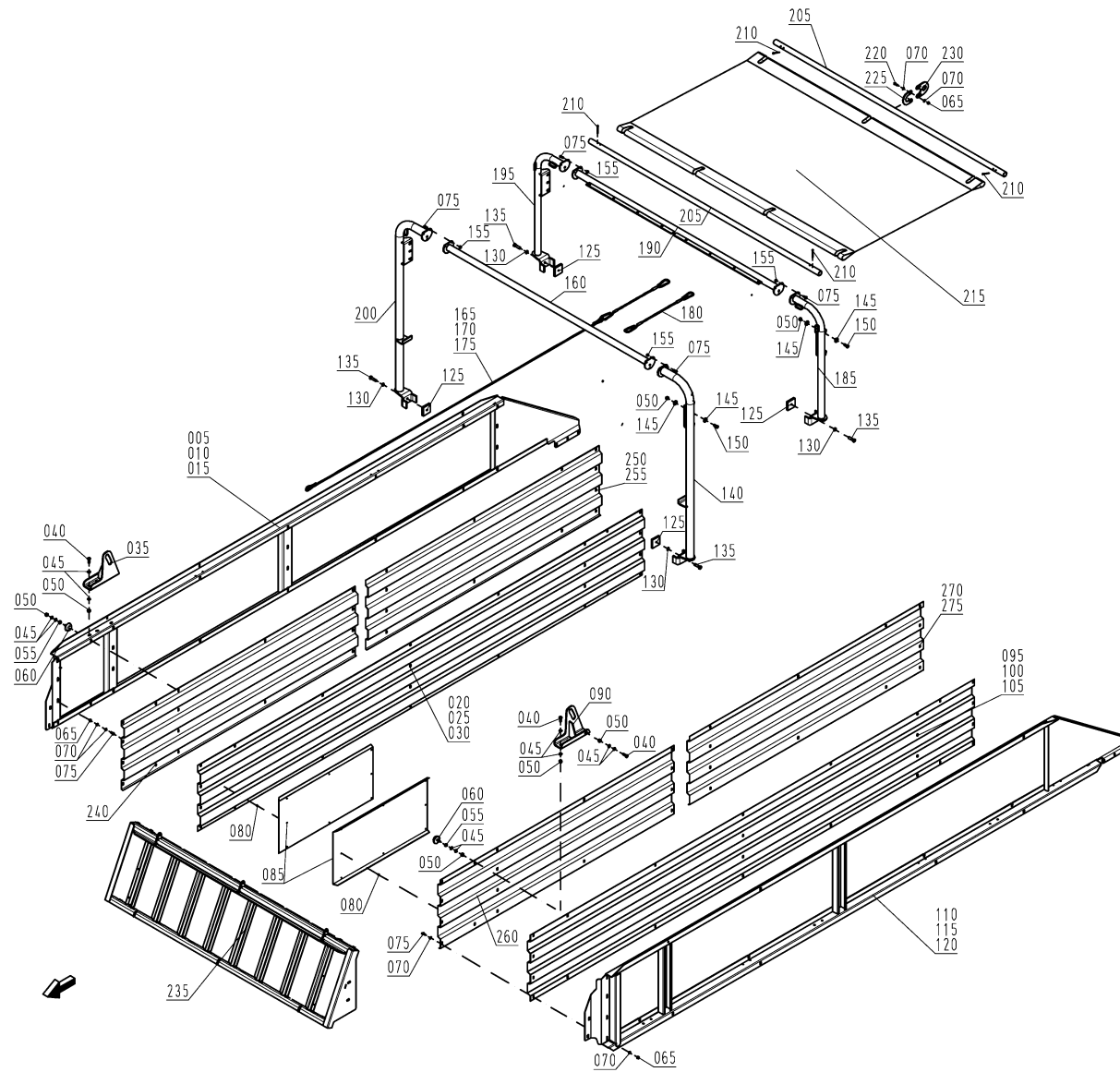
Pos.	Order No.	Pcs.	Description	Detailing	Dimension	Comment
260	74451229	1.0	side panel re top ri		500,2 x 1690	/ Zelon CFS 2501,Zelon CFS 2501 DO
265	71251207	1.0	side panel re top ri		500,2 x 1690	/ Zelon CFS 2901,Zelon CFS 2901 DO,Zelon CFS 3301,Zelon CFS 3301 DO
270	71251206	1.0	side panel cent top ri		500,2 x 1690	/ Zelon CFS 2901,Zelon CFS 2901 DO
275	71351205	1.0	side panel re top ri			/ Zelon CFS 3301,Zelon CFS 3301 DO
280	71251201	1.0	side panel cent bo ri		1000,2 x 887	/ Zelon CFS 2901,Zelon CFS 2901 DO
285	71351200	1.0	side panel cent bo ri		1000,2 x 1690	up to YOM 2015 / Zelon CFS 3301,Zelon CFS 3301 DO
286	71351206	1.0	side panel cent bo ri		1000,2 x 1690	since YOM 2015 / Zelon CFS 3301,Zelon CFS 3301 DO
290	74451228	1.0	side panel fr top ri		500,2 x 2935	/ Zelon CFS 2501,Zelon CFS 2501 DO
295	71251205	1.0	side panel fr top ri		500,2 x 2130	/ Zelon CFS 2901,Zelon CFS 2901 DO
300	74451228	1.0	side panel fr top ri		500,2 x 2935	/ Zelon CFS 3301,Zelon CFS 3301 DO
305	74451224	1.0	side panel fr bo ri		1000,2 x 2935	
310	74451221	1.0	side panel fr bo le		1000,2 x 2130	/ Zelon CFS 2501,Zelon CFS 2501 DO
315	74451223	1.0	side panel fr bo le		1000,2 x 2935	/ Zelon CFS 2901,Zelon CFS 2901 DO,Zelon CFS 3301,Zelon CFS 3301 DO
320	74451226	1.0	side panel fr top le		500,2 x 2935	/ Zelon CFS 2501,Zelon CFS 2501 DO
325	71251202	1.0	side panel fr top le		500,2 x 2130	/ Zelon CFS 2901,Zelon CFS 2901 DO
330	74451226	1.0	side panel fr top le		500,2 x 2935	/ Zelon CFS 3301,Zelon CFS 3301 DO
335	71251203	1.0	side panel cent top le		500,2 x 1690	/ Zelon CFS 2501,Zelon CFS 2501 DO
340	71351204	1.0	side panel re top le			/ Zelon CFS 2901,Zelon CFS 2901 DO
345	71351200	1.0	side panel cent bo ri		1000,2 x 1690	up to YOM 2015 / Zelon CFS 3301,Zelon CFS 3301 DO
350	74451227	1.0	side panel re top le		500,2 x 1690	/ Zelon CFS 2501,Zelon CFS 2501 DO
355	71251204	1.0	side panel re top le		500,2 x 1690	/ Zelon CFS 2901,Zelon CFS 2901 DO,Zelon CFS 3301,Zelon CFS 3301 DO
360	56651239	1.0	side panel re bo le		1000,2 x 1690	/ Zelon CFS 2501,Zelon CFS 2501 DO,Zelon CFS 2901,Zelon CFS 2901 DO
365	71351201	1.0	side panel re bo le		1000,2 x 956	up to YOM 2015 / Zelon CFS 3301,Zelon CFS 3301 DO
370	56551204	1.0	side panel re bo le		1000,2 x 2490	since YOM 2015 / Zelon CFS 3301,Zelon CFS 3301 DO



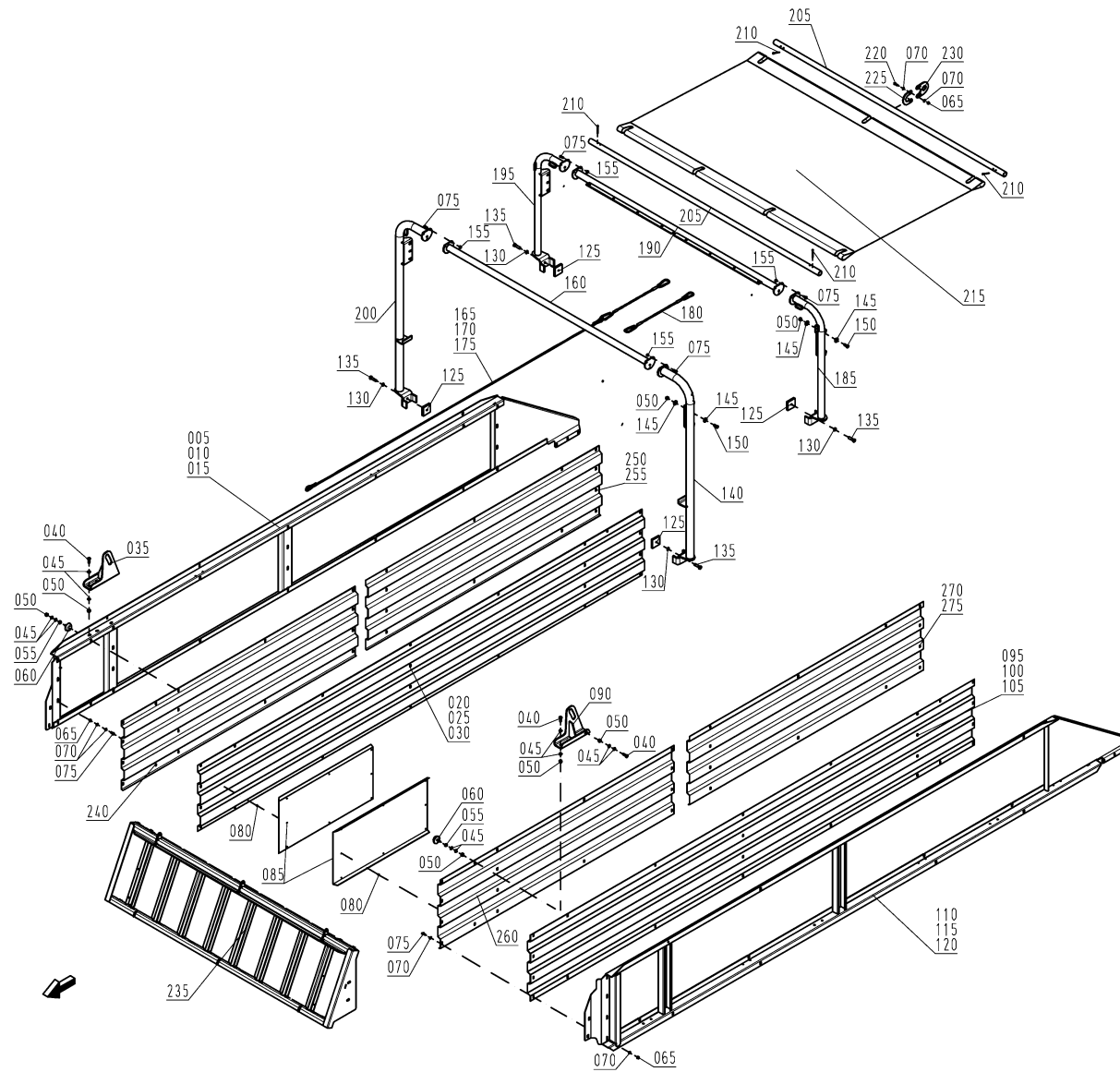
Pos.	Order No.	Pcs.	Description	Detailing	Dimension	Comment
005	56651238	1.0	side panel hatch		1000,2 x 690	
010	86502014	12.0	hexagon screw ISO4017 galv		M 8 x 20	
015	86501116	#	washer ISO7089-A 8.4 galv			
020	86500303	#	hexagon nut ISO7040 galv		N M 8	
025	86503835	3.0	blind rivet		Dr 4,8 x 9,0	
030	56851700	1.0	hatch tot			
035	50451500	2.0	hinge		100 x 130	
040	86502015	#	hexagon screw ISO4017 galv		M 8 x 25	
045	86500301	#	hexagon nut ISO7040 galv		N M 12	
050	86501108	#	washer ISO7089-A 13 galv			
055	86505266	10.0	disc spring Dacromet		28 x 12,2 x 1	
060	86500304	2.0	hexagon nut ISO7040 galv		N M 10	
065	86501106	6.0	washer ISO7089-A10.5 galv			
070	56651262	1.0	locking mechanism galv		BI 6 x 80 x 251,1	
075	57557001	1.0	connecting rod galv		BI 6 x 25 x 720	
080	86502044	1.0	hexagon screw ISO4017 galv		M 12 x 45	
085	86502029	2.0	hexagon screw ISO4017 galv		M 10 x 30	
090	86503005	2.0	round-head screw DIN603 galv		M 8 x 25	
095	50557206	1.0	locking bracket galv		BI 5 x 85,8 x 140	
100	57557300	1.0	handle		Ro 21,3 x 2,3 x 540	
105	56651008	1.0	hand lever galv		BI 8 x 40 x 424,9	
110	32003504	1.0	handle			
115	86502045	1.0	hexagon screw ISO4017 galv		M 12 x 50	
120	51557278	1.0	detention bracket galv		BI 5 x 114 x 165	
125	86502041	4.0	hexagon screw ISO4017 galv		M 12 x 30	
130	72601201	2.0	locating elbow galv		BI 8 x 175 x 188	
135	86500302	2.0	hexagon nut ISO7040 galv		N M 16	



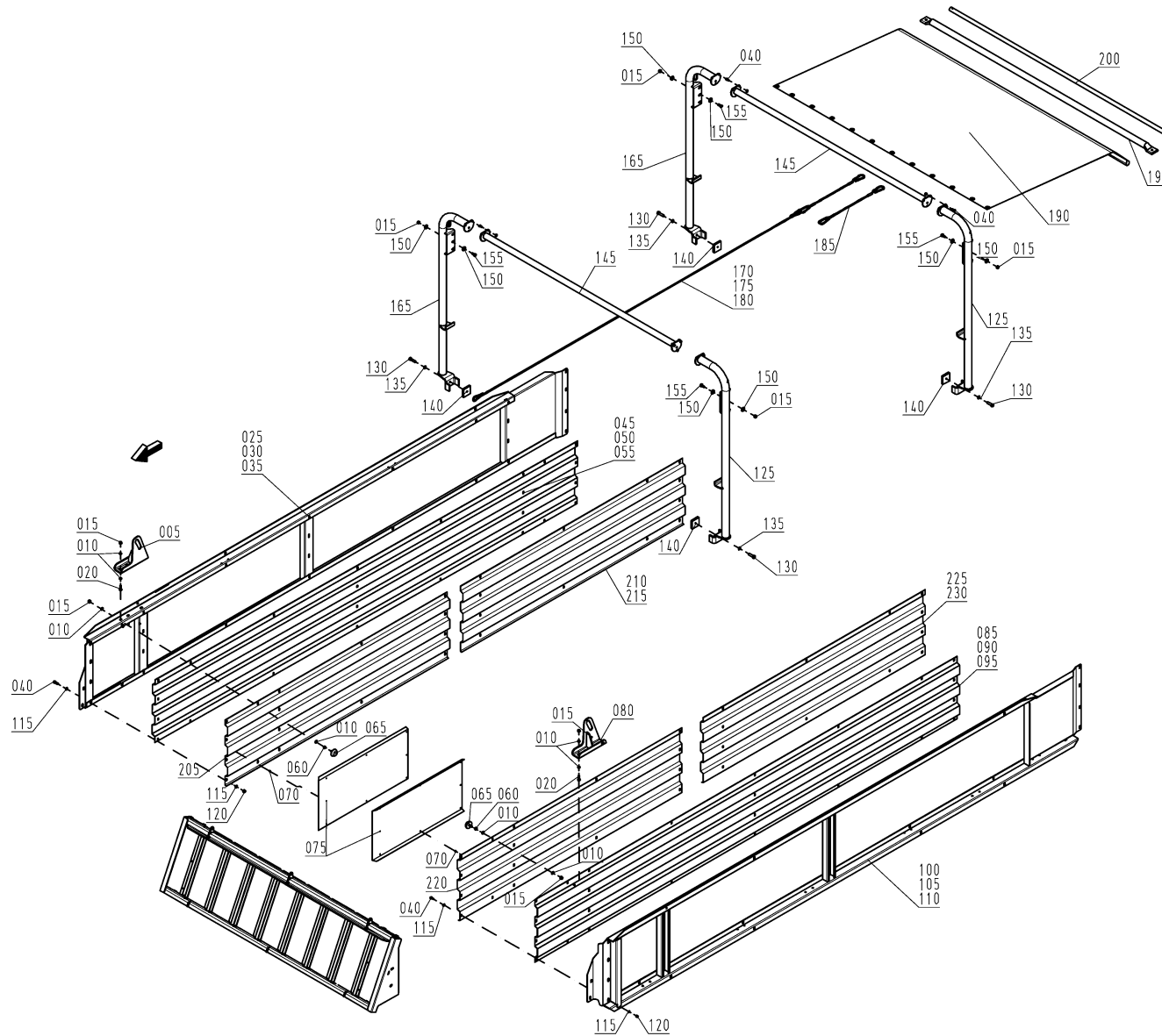
Pos.	Order No.	Pcs.	Description	Detailing	Dimension	Comment
140	86501110	2.0	washer ISO7089-A 17 galv			
145	86505268	4.0	disc spring		B 50 x 25,4 x 2,00	
150	57557100	2.0	collar bushing galv		Rd 35 h9 x 18,9	
155	86502235	2.0	hexagon screw ISO4014 galv		M 16 x 55	
160	72601700	1.0	lug le tot galv			
165	72601701	1.0	lug ri tot galv			
170	51501102	2.0	collar bushing galv		Rd 30 h9 x 12,5	
175	86502063	4.0	hexagon screw ISO4014 galv		M 12 x 40	
180	56801705	1.0	ladder tot galv			
185	86501105	2.0	washer ISO7093 galv		A 8,4	
190	86500867	2.0	washer		A 14	
195	86500851	2.0	washer		R 9	
200	25304502	2.0	bump stop rubber		M 8x21 / CA. 80 SHORE	



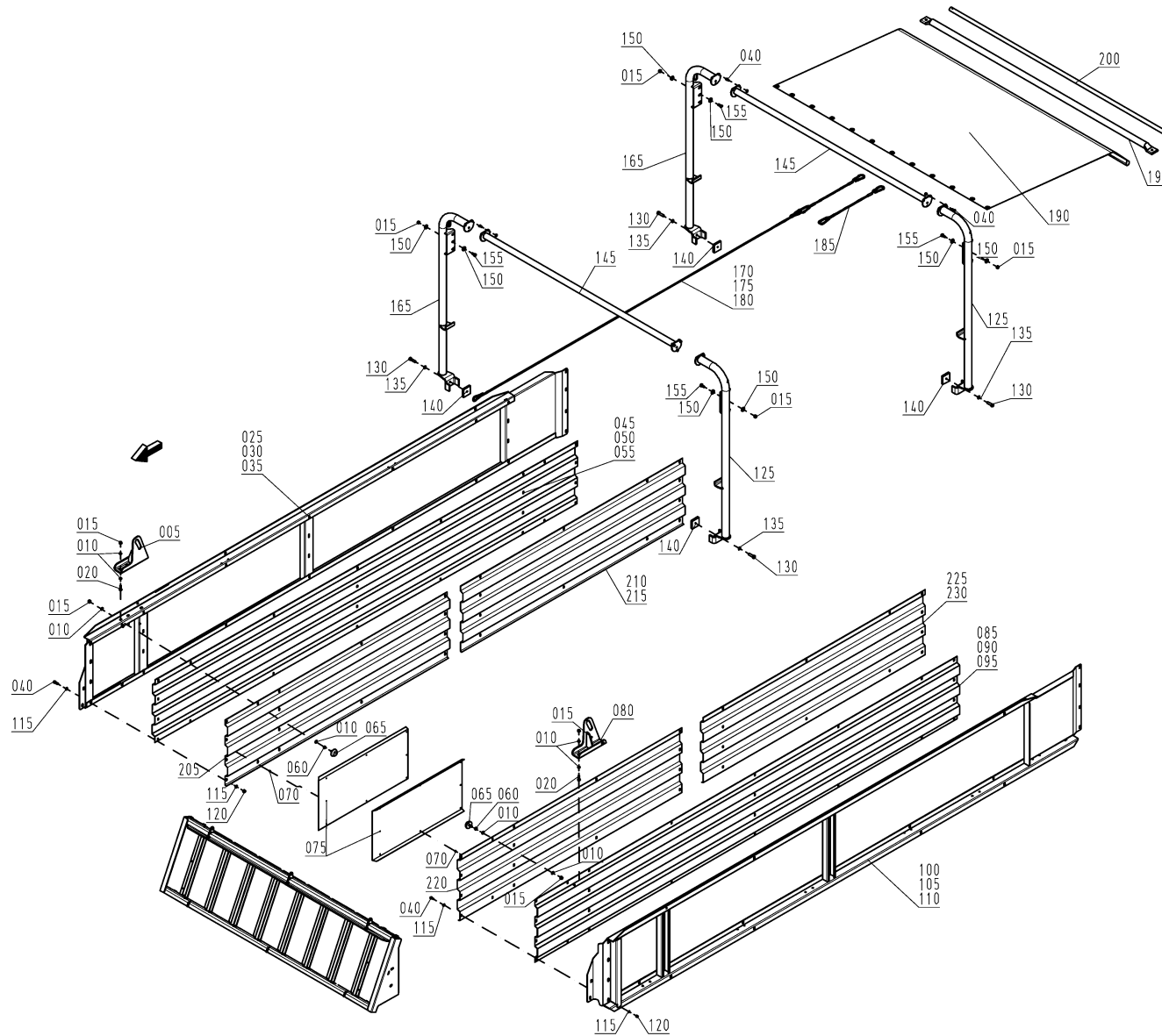
Pos.	Order No.	Pcs.	Description	Detailing	Dimension	Comment
005	74451706	1.0	side panel attachment ri tot			/ Zelon CFS 2501
010	56451704	1.0	side panel attachment ri tot			/ Zelon CFS 2901
015	56551701	1.0	side panel attachment ri tot			/ Zelon CFS 3301
020	74451216	1.0	side panel attachment ri		500,2 x 4050	/ Zelon CFS 2501
025	56451217	1.0	side panel attachment ri		500,2 x 4850	up to YOM 2014 / Zelon CFS 2901
030	56551213	1.0	side panel attachment ri		500,2 x 5650	up to YOM 2014 / Zelon CFS 3301
035	56651707	1.0	locating elbow ri tot			
040	86502029	8.0	hexagon screw ISO4017 galv		M 10 x 30	
045	86501106	20.0	washer ISO7089-A10.5 galv			
050	86500304	#	hexagon nut ISO7040 galv		N M 10	
055	86500204	2.0	hexagon nut ISO4032 galv		M 10	
060	87006361	#	bump stop rubber			
065	86500303	#	hexagon nut ISO7040 galv		N M 8	
070	86501116	#	washer ISO7089-A 8.4 galv			
075	86502014	#	hexagon screw ISO4017 galv		M 8 x 20	
080	86503846	16.0	blind rivet		Dr 4,8 x 7,5	
085	56651284	2.0	reinforcing sheet top		BI 1,25 x 456 x 860	
090	56651706	1.0	locating elbow le tot			
095	74451215	1.0	side panel attachment le		500,2 x 4050	/ Zelon CFS 2501
100	56451216	1.0	side panel attachment le		500,2 x 4850	up to YOM 2014 / Zelon CFS 2901
105	56551212	1.0	side panel attachment le		500,2 x 5650	up to YOM 2014 / Zelon CFS 3301
110	74451705	1.0	side panel attachment le tot			/ Zelon CFS 2501
115	56451703	1.0	side panel attachment le tot			/ Zelon CFS 2901
120	56551700	1.0	side panel attachment le tot			/ Zelon CFS 3301
125	57551002	#	clamping plate galv		BI 12 x 65 x 65	
130	86500755	#	spring washer DIN127 galv		A 12	
135	86502044	#	hexagon screw ISO4017 galv		M 12 x 45	
140	56651711	1.0	lateral pipe le tot			
145	86501136	#	washer ISO7093 galv		A 10,5	



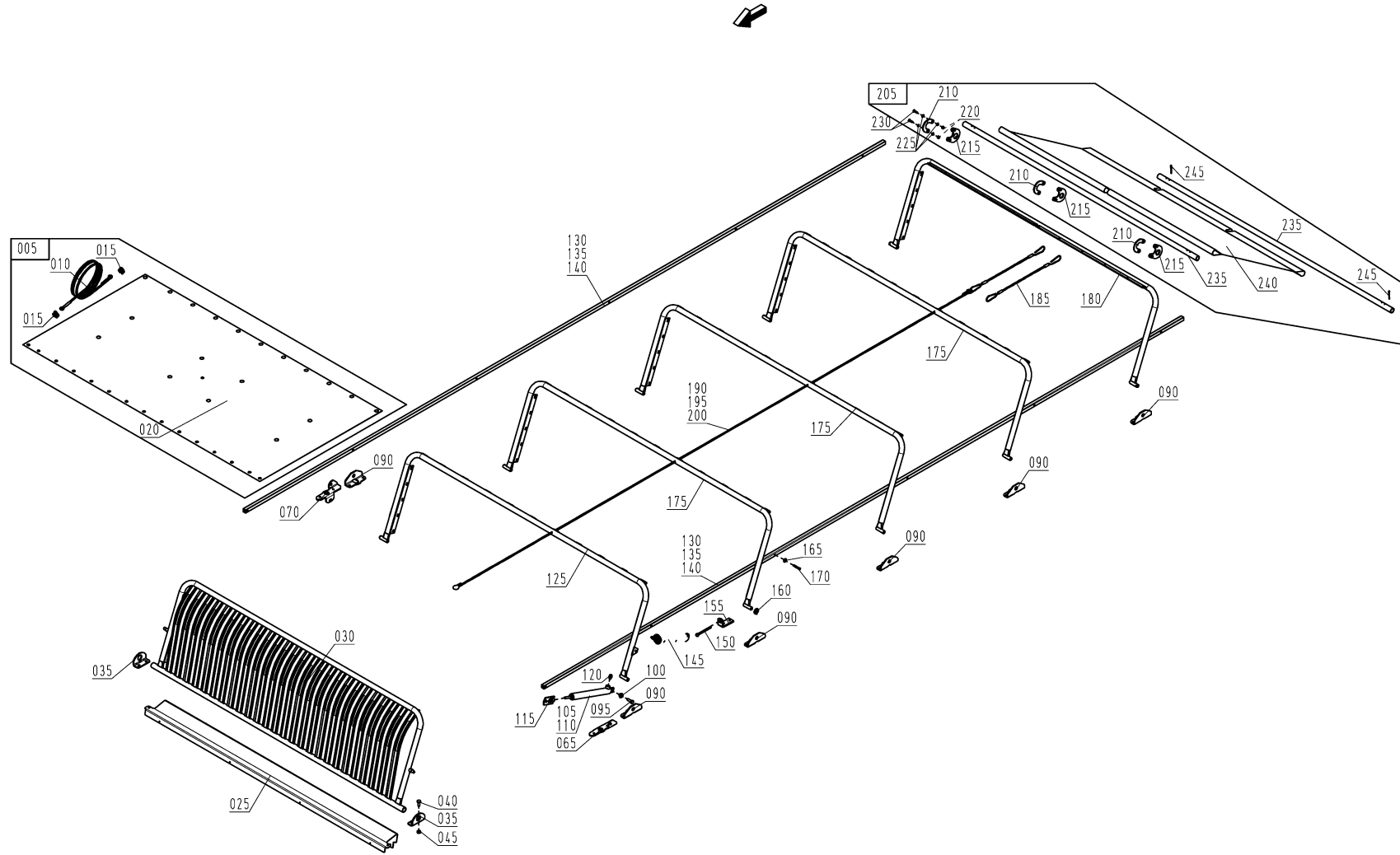
Pos.	Order No.	Pcs.	Description	Detailing	Dimension	Comment
150	86502028	#	hexagon screw ISO4017 galv		M 10 x 25	
155	86500323	#	hexagon nut ISO10511 galv		N M 8	
160	56651713	1.0	connecting tube tot			
165	57551501	12.0	rope PP		Dr 8 x 3150	/ Zelon CFS 2501
170	56451501	12.0	rope PP		Dr 8 x 3880	/ Zelon CFS 2901
175	56551500	12.0	rope PP		Dr 8 x 4660	/ Zelon CFS 3301
180	87006346	#	rubber clamp		Dr 10 x 600	
185	56651716	1.0	lateral pipe sho le tot			
190	56651718	1.0	connecting tube tot			
195	56651717	1.0	lateral pipe sho ri tot			
200	56651712	1.0	lateral pipe ri tot			
205	56651307	2.0	pipe f tarpaulin		Ro 33,7 x 3,2 x 2096	
210	86504216	4.0	split-pin ISO1234 galv		5 x 50	
215	56451500	1.0	rear tarpaulin		0,5 x 1300 x 2050	
220	86502015	6.0	hexagon screw ISO4017 galv		M 8 x 25	
225	41551265	3.0	receiver lug galv		Bl 5 x 83 x 90	
230	41551231	3.0	clamping strap galv		Bl 5 x 90 x 107	
235	56651702	1.0	front grating top tot			
240	74451232	1.0	side panel fr top ri		500,2 x 2130	since YOM 2014 / Zelon CFS 2901,Zelon CFS 3301
250	71251211	1.0	side panel re top ri		500,2 x 2761	since YOM 2014 / Zelon CFS 2901
255	71351203	1.0	side panel re top le		500,2 x 3560	since YOM 2014 / Zelon CFS 3301
260	74451230	1.0	side panel fr top le		500,2 x 2130	since YOM 2014 / Zelon CFS 2901,Zelon CFS 3301
270	71251210	1.0	side panel re top le		500,2 x 2761	since YOM 2014 / Zelon CFS 2901
275	71351202	1.0	side panel re top le		500,2 x 3560	since YOM 2014 / Zelon CFS 3301



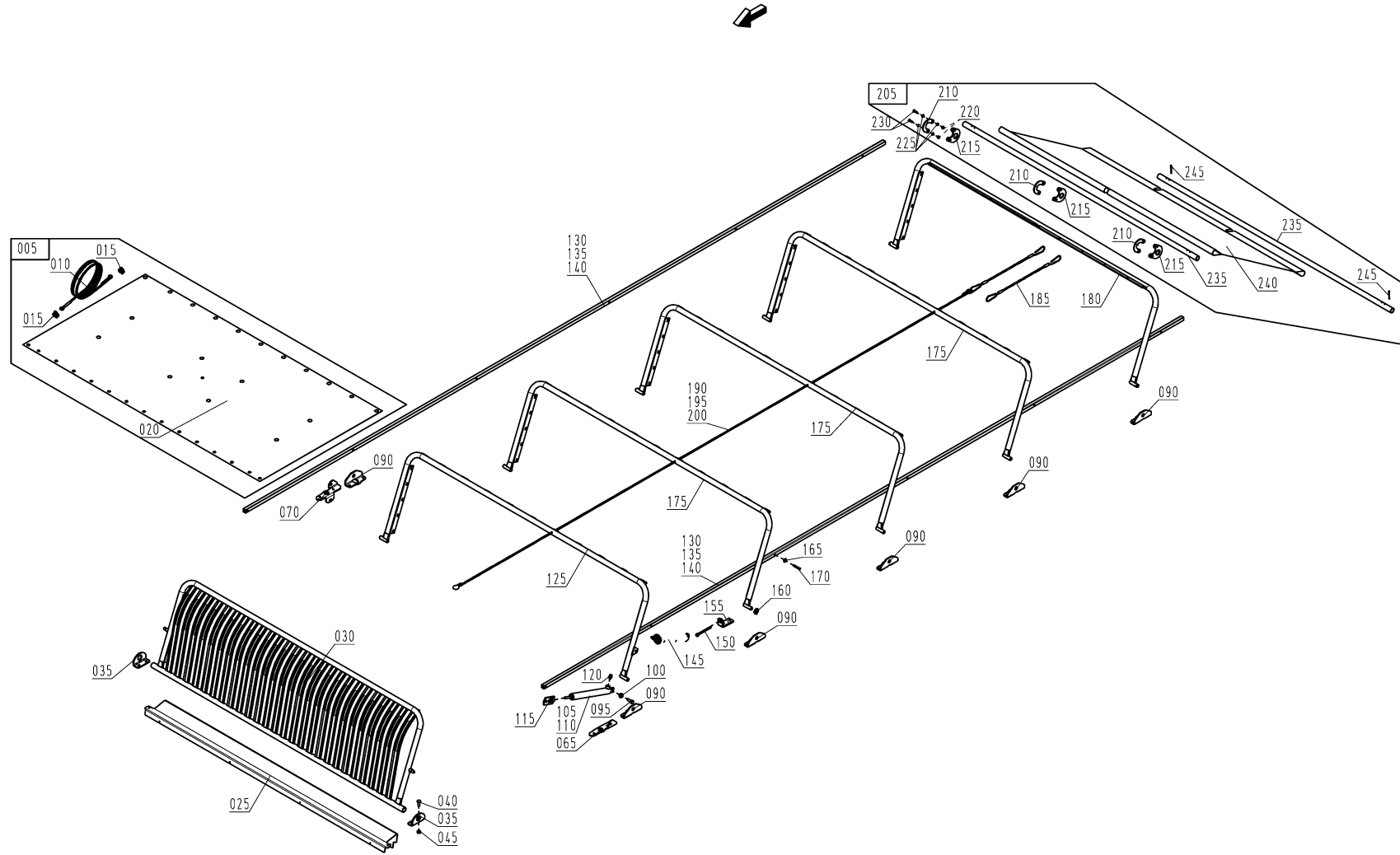
Pos.	Order No.	Pcs.	Description	Detailing	Dimension	Comment
005	56651707	1.0	locating elbow ri tot			
010	86501106	0.0	washer ISO7089-A10.5 galv			
015	86500304	0.0	hexagon nut ISO7040 galv		N M 10	
020	86502029	0.0	hexagon screw ISO4017 galv		M 10 x 30	
025	74751701	1.0	side panel attachment ri tot			/ Zelon CFS 2501 DO
030	56851702	1.0	side panel attachment ri tot			/ Zelon CFS 2901 DO
035	56951701	1.0	side panel attachment ri tot			/ Zelon CFS 3301 DO
040	86502014	0.0	hexagon screw ISO4017 galv		M 8 x 20	
045	74451216	1.0	side panel attachment ri		500,2 x 4050	/ Zelon CFS 2501 DO
050	56451217	1.0	side panel attachment ri		500,2 x 4850	up to YOM 2014 / Zelon CFS 2901 DO
055	56551213	1.0	side panel attachment ri		500,2 x 5650	up to YOM 2014 / Zelon CFS 3301 DO
060	86500204	2.0	hexagon nut ISO4032 galv		M 10	
065	87006361	2.0	bump stop rubber			
070	86503846	16.0	blind rivet		Dr 4,8 x 7,5	
075	56651284	2.0	reinforcing sheet top		Bl 1,25 x 456 x 860	
080	56651706	1.0	locating elbow le tot			
085	74451215	1.0	side panel attachment le		500,2 x 4050	/ Zelon CFS 2501 DO
090	56451216	1.0	side panel attachment le		500,2 x 4850	up to YOM 2014 / Zelon CFS 2901 DO
095	56551212	1.0	side panel attachment le		500,2 x 5650	up to YOM 2014 / Zelon CFS 3301 DO
100	74751700	1.0	side panel attachment le tot			/ Zelon CFS 2501 DO
105	56851701	1.0	side panel attachment le tot			/ Zelon CFS 2901 DO
110	56951700	1.0	side panel attachment le tot			/ Zelon CFS 3301 DO
115	86501116	0.0	washer ISO7089-A 8.4 galv			
120	86500303	0.0	hexagon nut ISO7040 galv		N M 8	
125	56651711	2.0	lateral pipe le tot			
130	86502044	8.0	hexagon screw ISO4017 galv		M 12 x 45	
135	86500755	8.0	spring washer DIN127 galv		A 12	
140	57551002	8.0	clamping plate galv		Bl 12 x 65 x 65	
145	56651713	2.0	connecting tube tot			



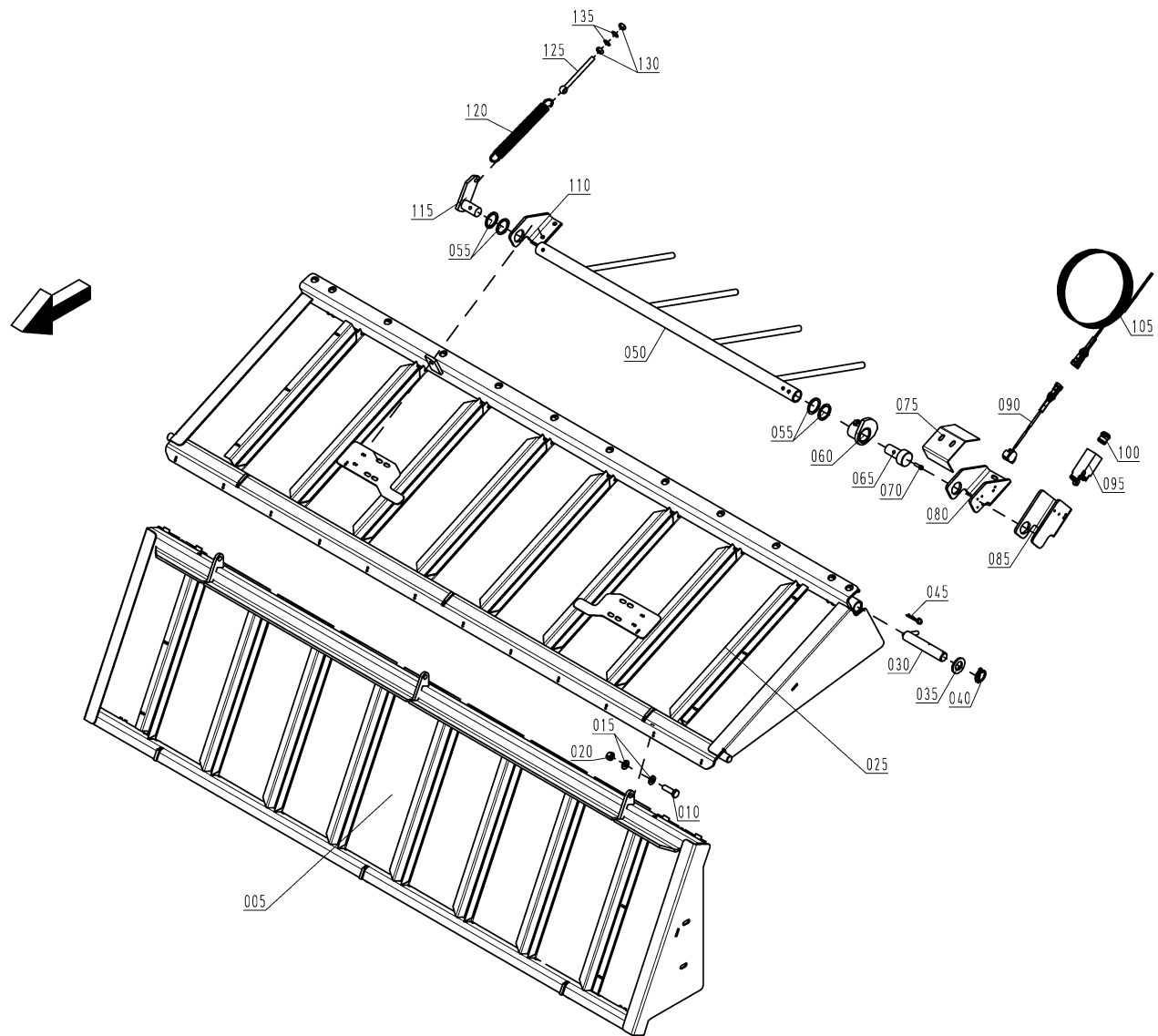
Pos.	Order No.	Pcs.	Description	Detailing	Dimension	Comment
150	86501136	16.0	washer ISO7093 galv		A 10,5	
155	86502028	8.0	hexagon screw ISO4017 galv		M 10 x 25	
160	86500323	6.0	hexagon nut ISO10511 galv		N M 8	
165	56651712	1.0	lateral pipe ri tot			
170	44053500	12.0	rope PP		Dr 8 x 3400	/ Zelon CFS 2501 DO
175	56851500	12.0	rope PP		Dr 8 x 4300	/ Zelon CFS 2901 DO
180	56951500	12.0	rope PP		Dr 8 x 5100	/ Zelon CFS 3301 DO
185	87006346	0.0	rubber clamp		Dr 10 x 600	
190	56640500	1.0	rear tarpaulin		0,5 x 1440 x 2050	
195	56640301	1.0	tarpaulin support		Ro 42,4 x 4,9 x 2217	
200	56640300	1.0	tarpaulin rod		Ro 26,9 x 3,2 x 2100	
205	74451232	1.0	side panel fr top ri		500,2 x 2130	since YOM 2014 / Zelon CFS 2901 DO,Zelon CFS 3301 DO
210	71251211	1.0	side panel re top ri		500,2 x 2761	since YOM 2014 / Zelon CFS 2901 DO
215	71351203	1.0	side panel re top le		500,2 x 3560	since YOM 2014 / Zelon CFS 3301 DO
220	74451230	1.0	side panel fr top le		500,2 x 2130	since YOM 2014 / Zelon CFS 2901 DO,Zelon CFS 3301 DO
225	71251210	1.0	side panel re top le		500,2 x 2761	since YOM 2014 / Zelon CFS 2901 DO
230	71351202	1.0	side panel re top le		500,2 x 3560	since YOM 2014 / Zelon CFS 3301 DO



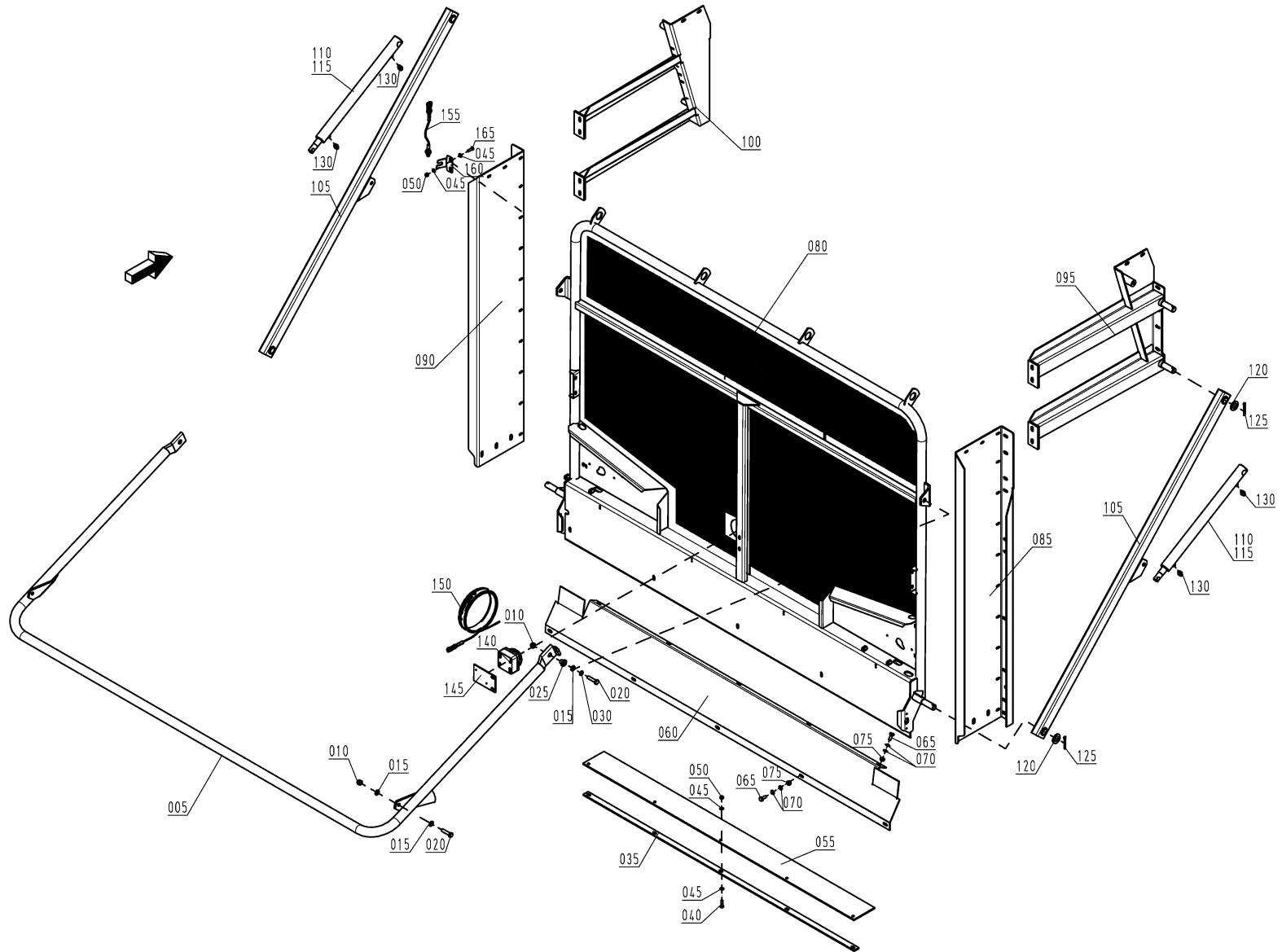
Pos.	Order No.	Pcs.	Description	Detailing	Dimension	Comment
005	41557603	1.0	tarpaulin fr cargo space/guard			
010	87006018	1.0	rope PP		Dr 8 / Meterware	
015	87003427	2.0	wire-rope clip f rope DR8			
020	41557501	1.0	tarpaulin fr		0,5 x 1100 x 2130 / Farbe	
025	74457204	1.0	cover plate		Bl 2 x 249,9 x 2183	
030	41557701	1.0	front panel grating top tot			
035	74457203	2.0	hinge flap		Bl 6 x 105 x 110	
040	86502041	4.0	hexagon screw ISO4017 galv		M 12 x 30	
045	86500205	4.0	hexagon nut ISO4032 galv		M 12	
065	74457201	1.0	cylinder lug le		Bl 5 x 143,9 x 210	
070	74457202	1.0	cylinder lug ri		Bl 5 x 143,9 x 210	
090	74457200	10.0	hinge bracket		Bl 5 x 112,4 x 150	
095	86502042	2.0	hexagon screw ISO4017 galv		M 12 x 35	
100	24303101	2.0	button f loop galv		Rd 30 h9 x 15	
105	24463500	2.0	hydraulic cylinder SA	HYZ-EW-025-45-270		
110	87001318	1.0	seal kit f hydraulic cylinder	HYDI-Z-EW-25-SHW		
115	44454700	2.0	hinge flap tot			
120	87000459	2.0	screw-in bolt straight	HYV-GE-08-L-M-12x1.5-ROU-CF		
125	41557703	1.0	mounting shackle fr tot			
130	74457302	10.0	body-lateral pipe galv		QRo 25 x 25 x 2 x 4200	/ Zelon CFS 2501
135	74457300	10.0	body-lateral pipe galv		QRo 25 x 25 x 2 x 4950	/ Zelon CFS 2901
140	74457301	10.0	body-lateral pipe galv		QRo 25 x 25 x 2 x 5750	/ Zelon CFS 3301
145	25761500	2.0	spring f clamping bracket		Dr 52 x 372	
150	86503408	2.0	eyebolt galv		LBM 10 x 120	
155	41557003	2.0	bracket		Bl 10 x 40 x 143	
160	86504233	6.0	linch pin		DR 4,5	
165	86501105	#	washer ISO7093 galv		A 8,4	
170	86502065	#	hexagon screw ISO4014 galv		M 8 x 50	
175	41557702	3.0	mounting shackle tot			



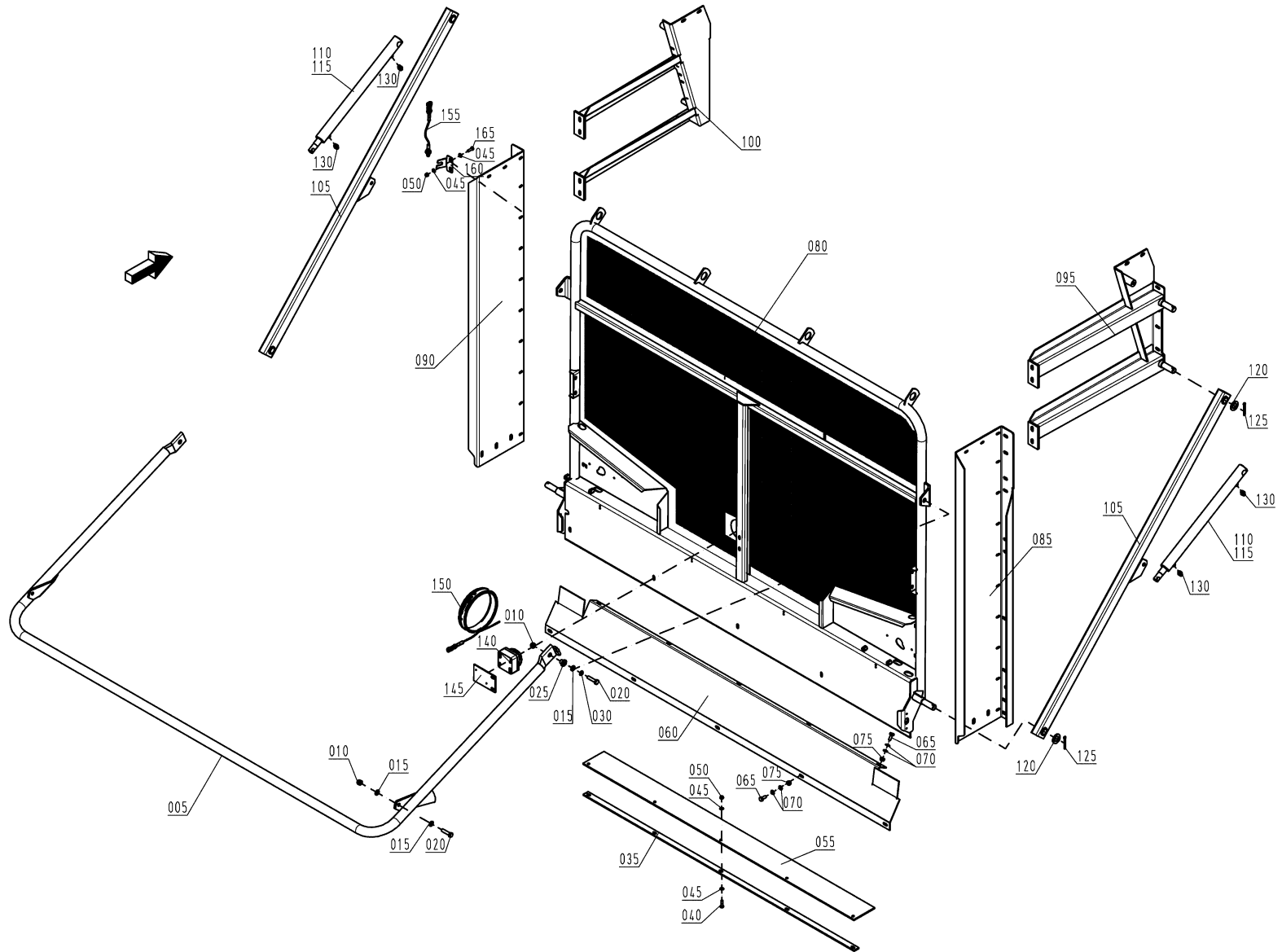
Pos.	Order No.	Pcs.	Description	Detailing	Dimension	Comment
180	41557704	1.0	mounting shackle re tot			
185	87006346	#	rubber clamp		Dr 10 x 600	
190	51557501	12.0	rope PP		Dr 8 x 3800	
195	51557503	12.0	rope PP		Dr 8 x 4600	
200	43451500	12.0	rope PP		Dr 8 x 5300	
205	74457601	1.0	rear tarpaulin re cpl			
210	41551265	3.0	receiver lug galv		Bl 5 x 83 x 90	
215	41551231	3.0	clamping strap galv		Bl 5 x 90 x 107	
220	86500303	6.0	hexagon nut ISO7040 galv		N M 8	
225	86501116	10.0	washer ISO7089-A 8.4 galv			
230	86502015	6.0	hexagon screw ISO4017 galv		M 8 x 25	
235	56651307	2.0	pipe f tarpaulin		Ro 33,7 x 3,2 x 2096	
240	74457500	1.0	body tarpaulin re yellow		0,5 x 1010 x 1920	
245	86504216	6.0	split-pin ISO1234 galv		5 x 50	



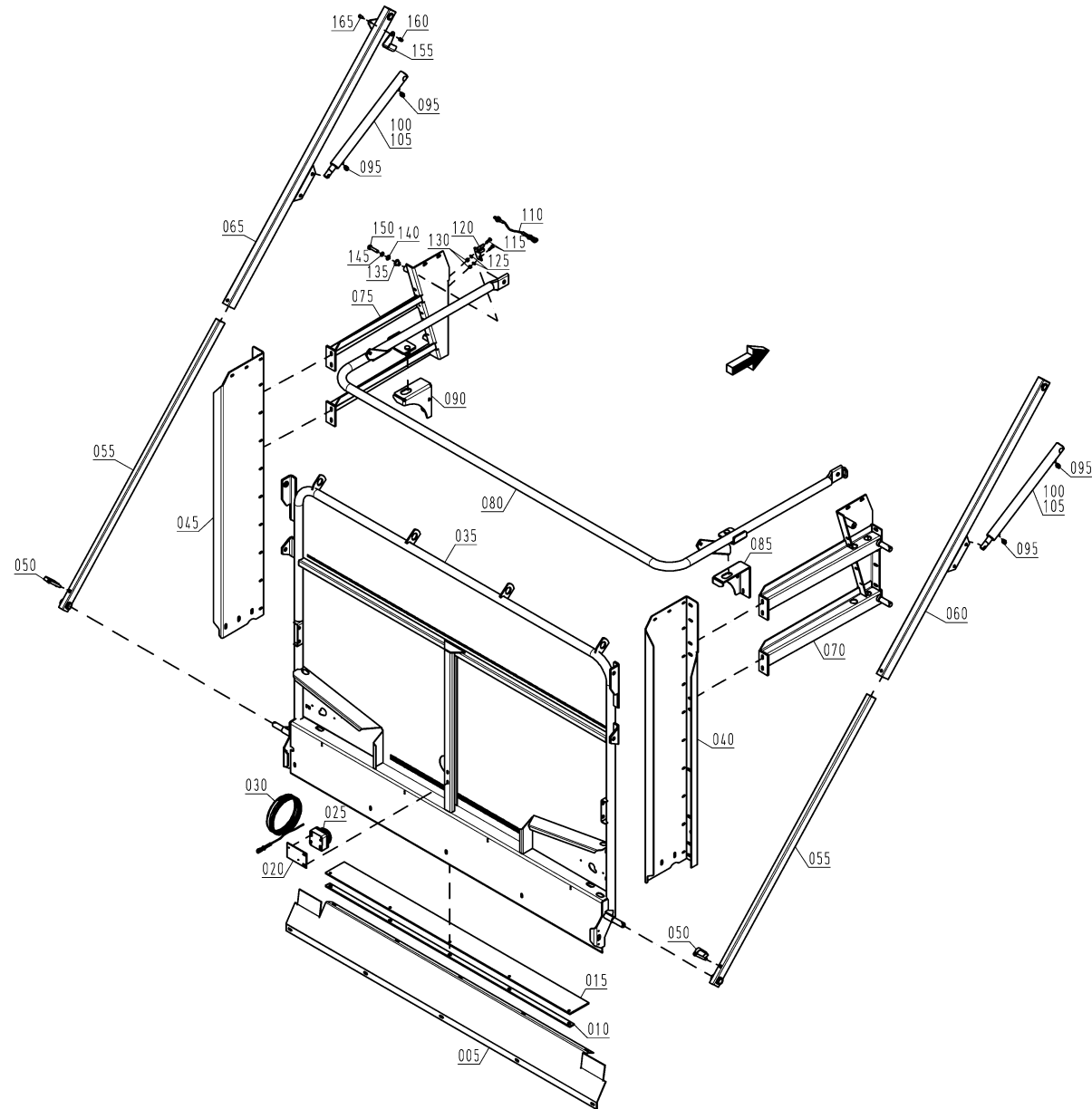
Pos.	Order No.	Pcs.	Description	Detailing	Dimension	Comment
005	56651702	1.0	front grating top tot			
010	86502043	3.0	hexagon screw ISO4017 galv		M 12 x 40	
015	86501108	6.0	washer ISO7089-A 13 galv			
020	86500301	3.0	hexagon nut ISO7040 galv		N M 12	
025	56651703	1.0	loading frame tot			
030	56651724	2.0	bolt tot galv			
035	86501143	2.0	washer ISO7090-B 25 galv			
040	86504233	2.0	linch pin		DR 4,5	
045	86504410	2.0	clip connector 3 DIN11024 galv double		DR 3	
050	56651714	1.0	key button tot			
055	86504905	4.0	adjusting washer		PS 35 x 45 x 2	
060	51557713	1.0	gear shifting gate tot			/ electro-hydraulic easy-to-use control
065	51557104	1.0	bolt		Rd 40 x 70	/ electro-hydraulic ISOBUS control
070	86502402	1.0	cheese-head screw ISO4762 galv		M 6 x 20	
075	51557242	1.0	cover		BI 2 x 92 x 176	/ electro-hydraulic ISOBUS control
080	51557710	1.0	bearing tab le tot			/ electro-hydraulic ISOBUS control
085	51557247	1.0	bearing tab le		BI 6 x 133 x 207	/ electro-hydraulic easy-to-use control
090	87006915	1.0	angle sensor	EL_SEN_WI_PMR 403		/ electro-hydraulic ISOBUS control
095	87008679	1.0	proximity sensor	EL_SEN_OBJ_Grenztaster		/ electro-hydraulic easy-to-use control
100	87008635	1.0	bolting/ accessories	EL_EKM_VES_Grenztaster		/ electro-hydraulic easy-to-use control
105	51570646	1.0	switch cable	EL_KKB_SLT_SS SGH 3pol I=5500		
110	51557243	1.0	bearing tab ri		BI 6 x 116 x 133	
115	51557717	1.0	spring holder tot			
120	47614502	1.0	extension spring galv		DR 4 x DR 23 x 230	
125	86503408	1.0	eyebolt galv		LBM 10 x 120	
130	86500204	2.0	hexagon nut ISO4032 galv		M 10	
135	86501106	2.0	washer ISO7089-A10.5 galv			



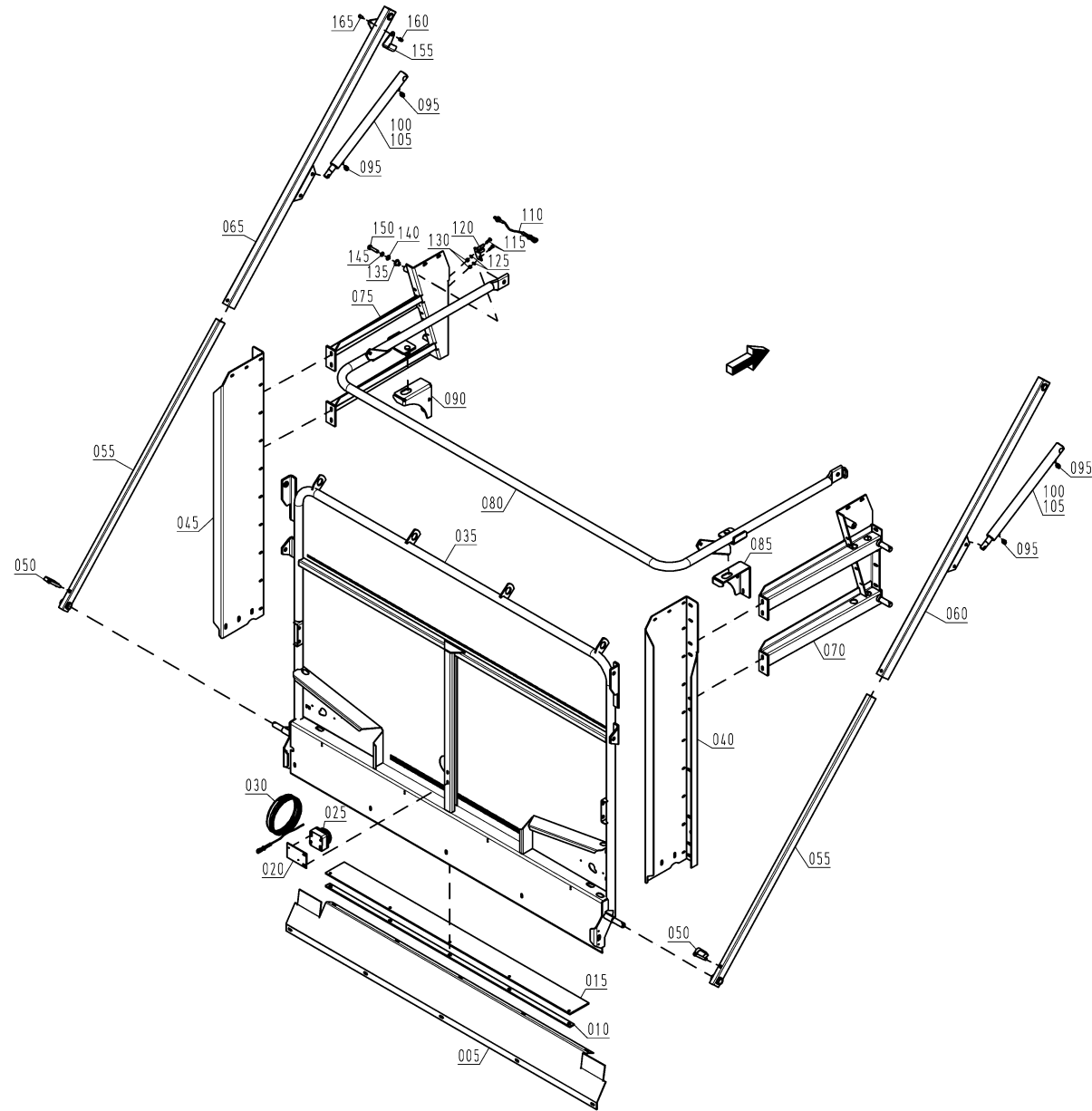
Pos.	Order No.	Pcs.	Description	Detailing	Dimension	Comment
005	56451705	1.0	back panel bow tot			
010	86500301	#	hexagon nut ISO7040 galv		N M 12	
015	86501108	6.0	washer ISO7089-A 13 galv			
020	86502045	4.0	hexagon screw ISO4017 galv		M 12 x 50	
025	41051101	2.0	collar bushing galv		Rd 30 x 20	
030	86500755	2.0	spring washer DIN127 galv		A 12	
035	41804035	1.0	clamping strip		BI 5 x 30 x 1680	
040	86502016	5.0	hexagon screw ISO4017 galv		M 8 x 30	
045	86501116	14.0	washer ISO7089-A 8.4 galv			
050	86500303	7.0	hexagon nut ISO7040 galv		N M 8	
055	41804504	1.0	rubber cover		6 x 130 x 1680	
060	41551240	1.0	support plate		BI 3 x 279,1 x 2134	
065	86502028	10.0	hexagon screw ISO4017 galv		M 10 x 25	
070	86501106	20.0	washer ISO7089-A10.5 galv			
075	86500304	10.0	hexagon nut ISO7040 galv		N M 10	
080	56451707	1.0	back panel tot			
085	56451201	1.0	panel ri		BI 4 x 451,5 x 1560	
090	56451200	1.0	panel le		BI 4 x 451,5 x 1560	
095	56451702	1.0	back panel mounting ri tot			
100	56451701	1.0	back panel mounting le tot			
105	56451706	2.0	back panel support tot			
110	43651502	2.0	hydraulic cylinder DA	HYZ-DW-35/25-585-415		
115	87001360	1.0	seal kit f hydraulic cylinder	HYDI-Z-DW-35/25-SHW		
120	86501143	4.0	washer ISO7090-B 25 galv			
125	86504221	4.0	split-pin ISO1234 galv		6,3 x 50	
130	87000459	4.0	screw-in bolt straight	HYV-GE-08-L-M-12x1.5-ROU-CF		
140	87006716	1.0	switch/accessories	EL_EKM_S_Fuss u Grobhandtaster		
145	43626202	1.0	switching console		BI 4 x 86 x 132	



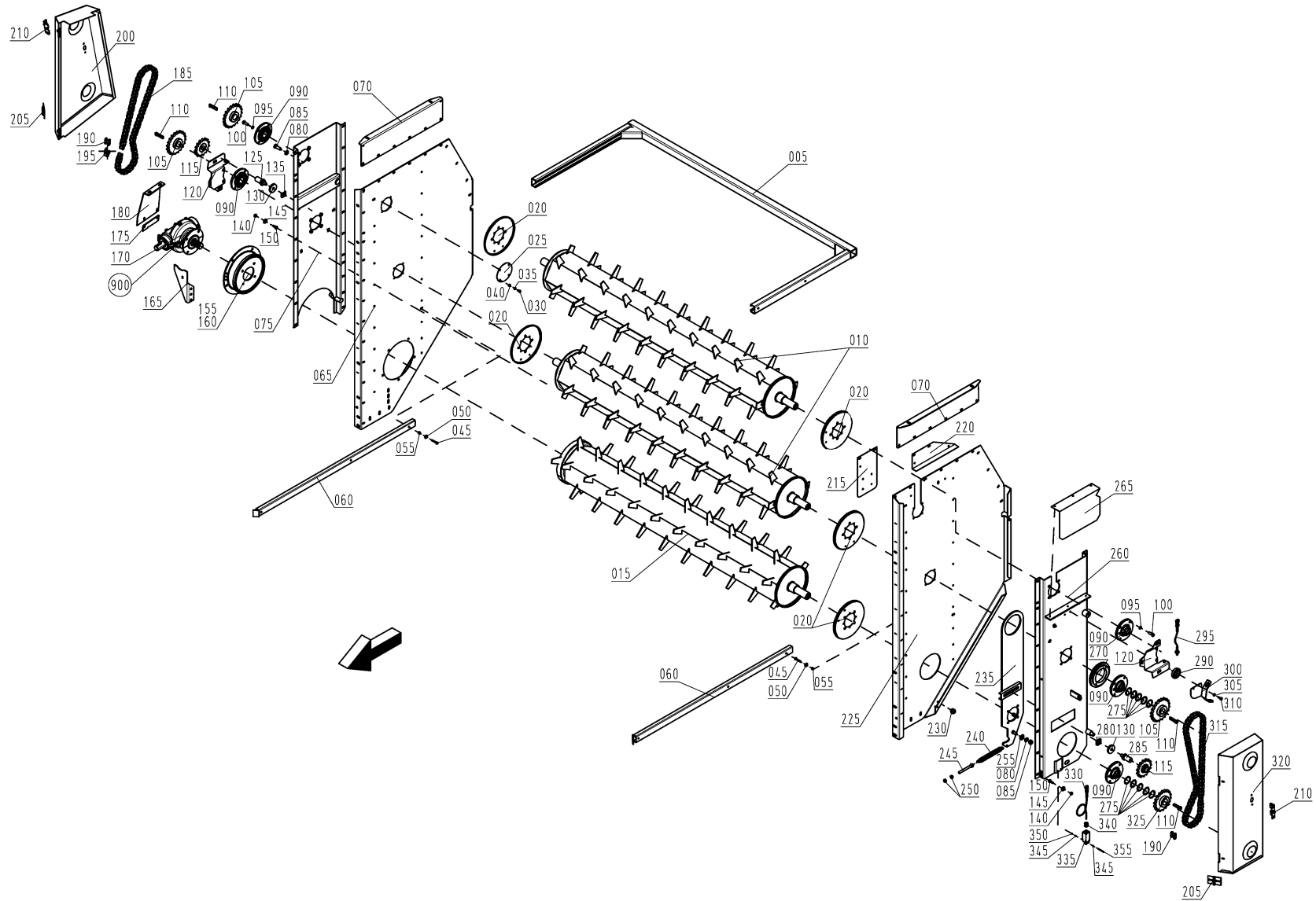
Pos.	Order No.	Pcs.	Description	Detailing	Dimension	Comment
150	51570644	1.0	switch cable	EL_KKB_SLT_SS SGH 2pol I=10000		
155	87011898	#	proximity sensor	EL_SEN_OBJ_M12 PS KL0.9 SS		
160	71670200	1.0	sensor holder		Bl 3 x 80 x 96,8	
165	86502015	2.0	hexagon screw ISO4017 galv		M 8 x 25	



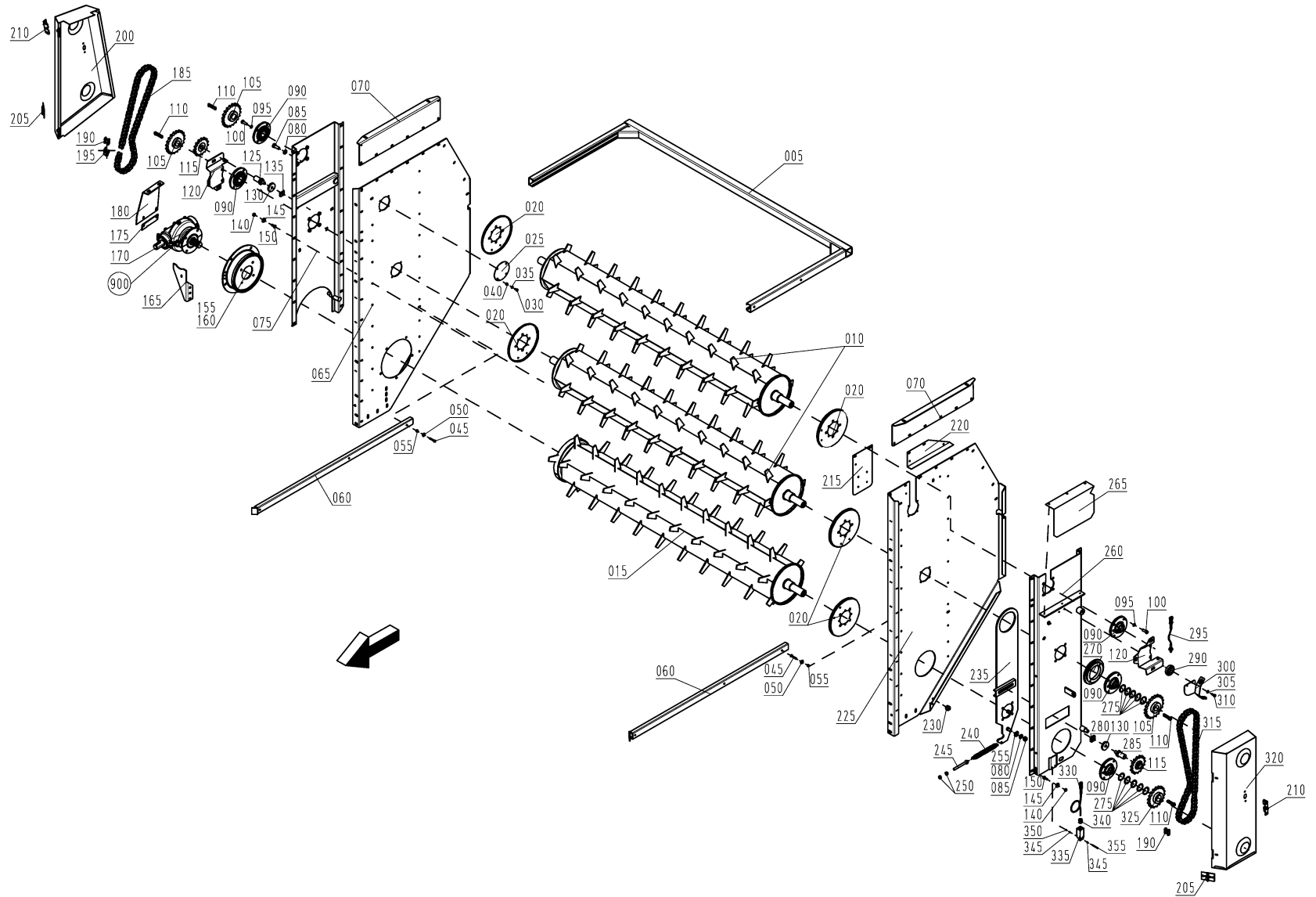
Pos.	Order No.	Pcs.	Description	Detailing	Dimension	Comment
005	41551240	1.0	support plate		Bl 3 x 279,1 x 2134	
010	41804035	1.0	clamping strip		Bl 5 x 30 x 1680	
015	41804504	1.0	rubber cover		6 x 130 x 1680	
020	43626202	1.0	switching console		Bl 4 x 86 x 132	
025	87006716	1.0	switch/accessories	EL_EKM_S_Fuss u Grobhandtaster		
030	51570644	1.0	switch cable	EL_KKB_SLT_SS SGH 2pol I=10000		
035	74451703	1.0	telescopic back panel cpl.			
040	56451201	1.0	panel ri		Bl 4 x 451,5 x 1560	
045	56451200	1.0	panel le		Bl 4 x 451,5 x 1560	
050	47551602	2.0	bolt galv cpl			
055	74451707	2.0	sliding tube tot			
060	74451709	1.0	back panel support ri tot			
065	74451708	1.0	back panel support le tot			
070	56451702	1.0	back panel mounting ri tot			
075	56451701	1.0	back panel mounting le tot			
080	74451710	1.0	back panel bow tot			
085	74451237	1.0	stop bracket ri		Bl 5 x 257,4 x 322,9	
090	74451236	1.0	stop bracket le		Bl 5 x 257,4 x 322,9	
095	87000459	4.0	screw-in bolt straight	HYV-GE-08-L-M-12x1.5-ROU-CF		
100	43651502	2.0	hydraulic cylinder DA	HYZ-DW-35/25-585-415		
105	87001360	2.0	seal kit f hydraulic cylinder	HYDI-Z-DW-35/25-SHW		
110	87011898	#	proximity sensor	EL_SEN_OBJ_M12 PS KL0.9 SS		
115	86502015	#	hexagon screw ISO4017 galv		M 8 x 25	
120	71670200	#	sensor holder		Bl 3 x 80 x 96,8	
125	86501116	#	washer ISO7089-A 8.4 galv			
130	86500303	#	hexagon nut ISO7040 galv		N M 8	
135	41051101	2.0	collar bushing galv		Rd 30 x 20	
140	86501108	2.0	washer ISO7089-A 13 galv			
145	86500755	2.0	spring washer DIN127 galv		A 12	



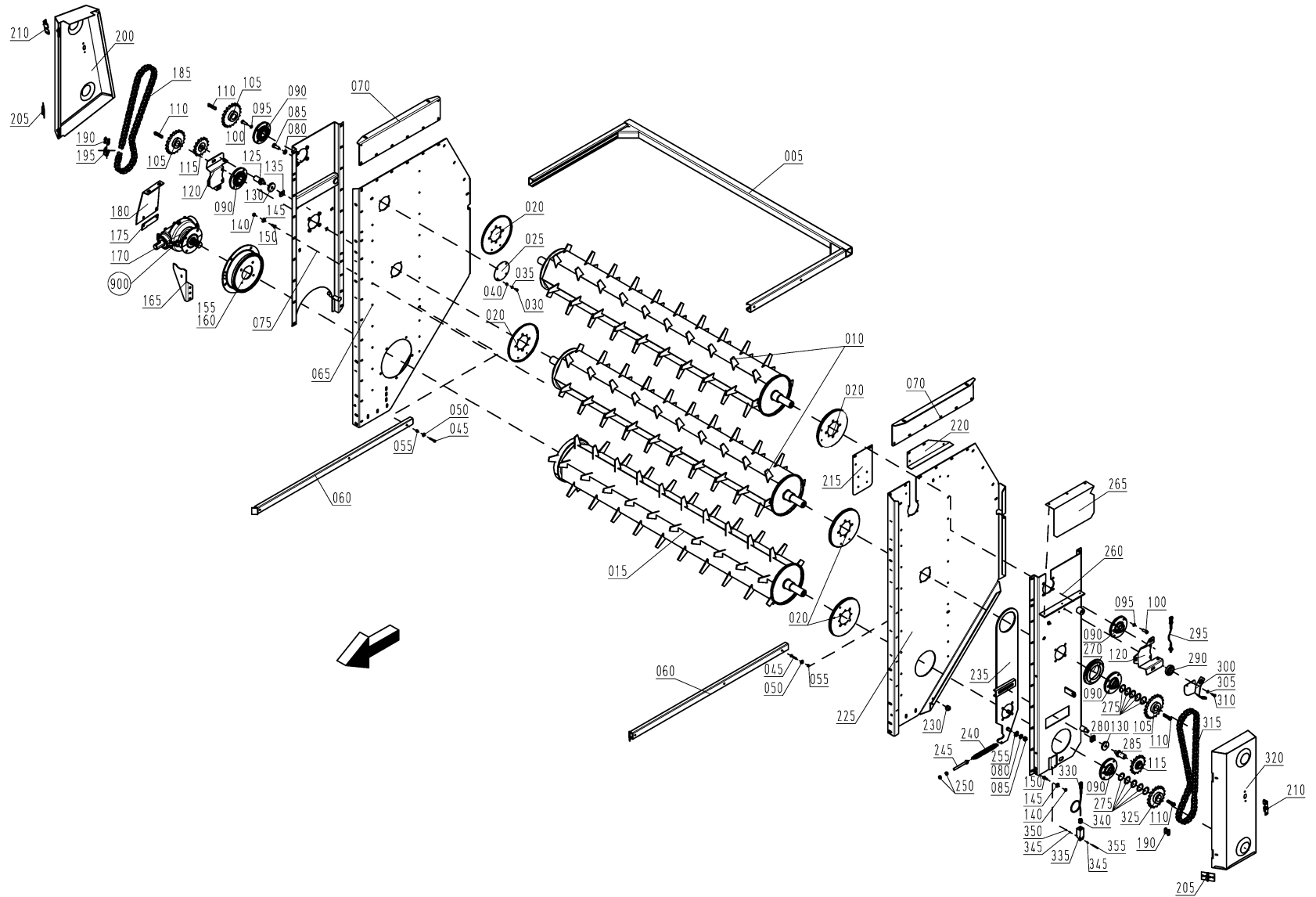
Pos.	Order No.	Pcs.	Description	Detailing	Dimension	Comment
150	86502045	2.0	hexagon screw ISO4017 galv		M 12 x 50	



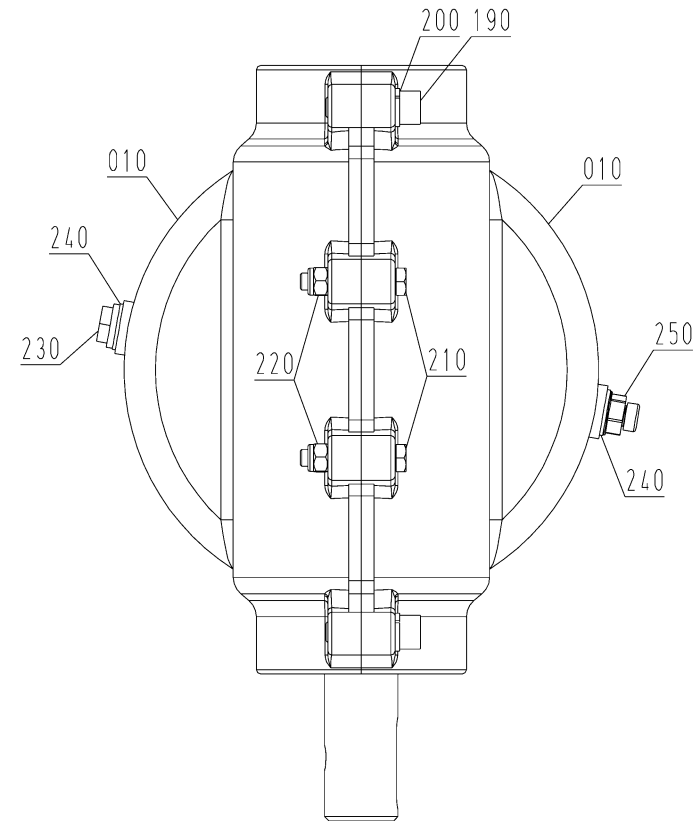
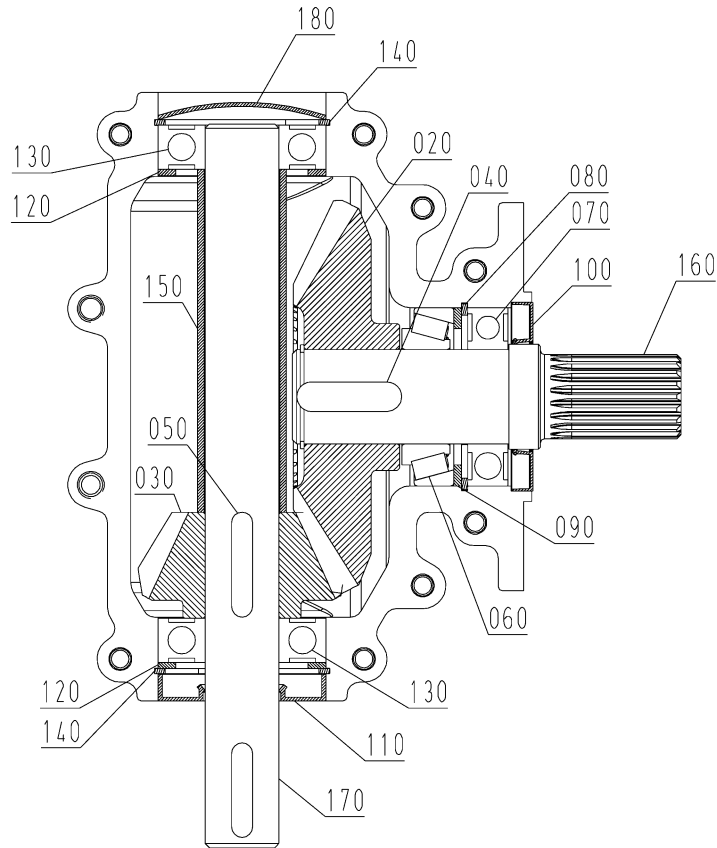
Pos.	Order No.	Pcs.	Description	Detailing	Dimension	Comment
005	54740708	1.0	end frame tot			
010	54740703	2.0	beater tot			
015	54740701	1.0	beater bo tot			
020	50440234	5.0	round screw-on plate		BI 2 x DR 300	
025	50404239	1.0	cover		BI 1,5 x DR 140	
030	86502013	16.0	hexagon screw ISO4017 galv		M 8 x 16	
035	86500753	16.0	spring washer DIN127 galv		A 8	
040	86500203	16.0	hexagon nut ISO4032 galv		M 8	
045	86502019	8.0	hexagon screw ISO4014 galv		M 8 x 45	
050	86501105	4.0	washer ISO7093 galv		A 8,4	
055	86500303	8.0	hexagon nut ISO7040 galv		N M 8	
060	56640702	2.0	stiffening tube tot			
065	56640201	1.0	side panel ri		BI 4 x 1235,1 x 1960	
070	56640206	2.0	end bracket le		BI 4 x 221 x 765	
075	50440703	1.0	bearing sheet ri tot			
080	86501110	2.0	washer ISO7089-A 17 galv			
085	86502071	2.0	hexagon screw ISO4017 galv		M 16 x 40	
090	87006613	5.0	4-hole flange bearing INA cpl			
095	86500755	#	spring washer DIN127 galv		A 12	
100	86502042	#	hexagon screw ISO4017 galv		M 12 x 35	
105	50440719	3.0	drive chain wheel tot			
110	86505111	4.0	gib-head key		14 x 9 x 55	
115	87004712	2.0	chain tightening wheel INA z15 t1in			
120	73240235	2.0	sensor holder		BI 3 x 211 x 317,3	
125	22502102	1.0	tightening wheel bolt ri-handed thread		SW 36 x 90	
130	36545101	2.0	washer galv		Rd 60 x 10	
135	30042404	1.0	squared platelet ri-handed thread GS		BI 11,5 x 34 x 34	



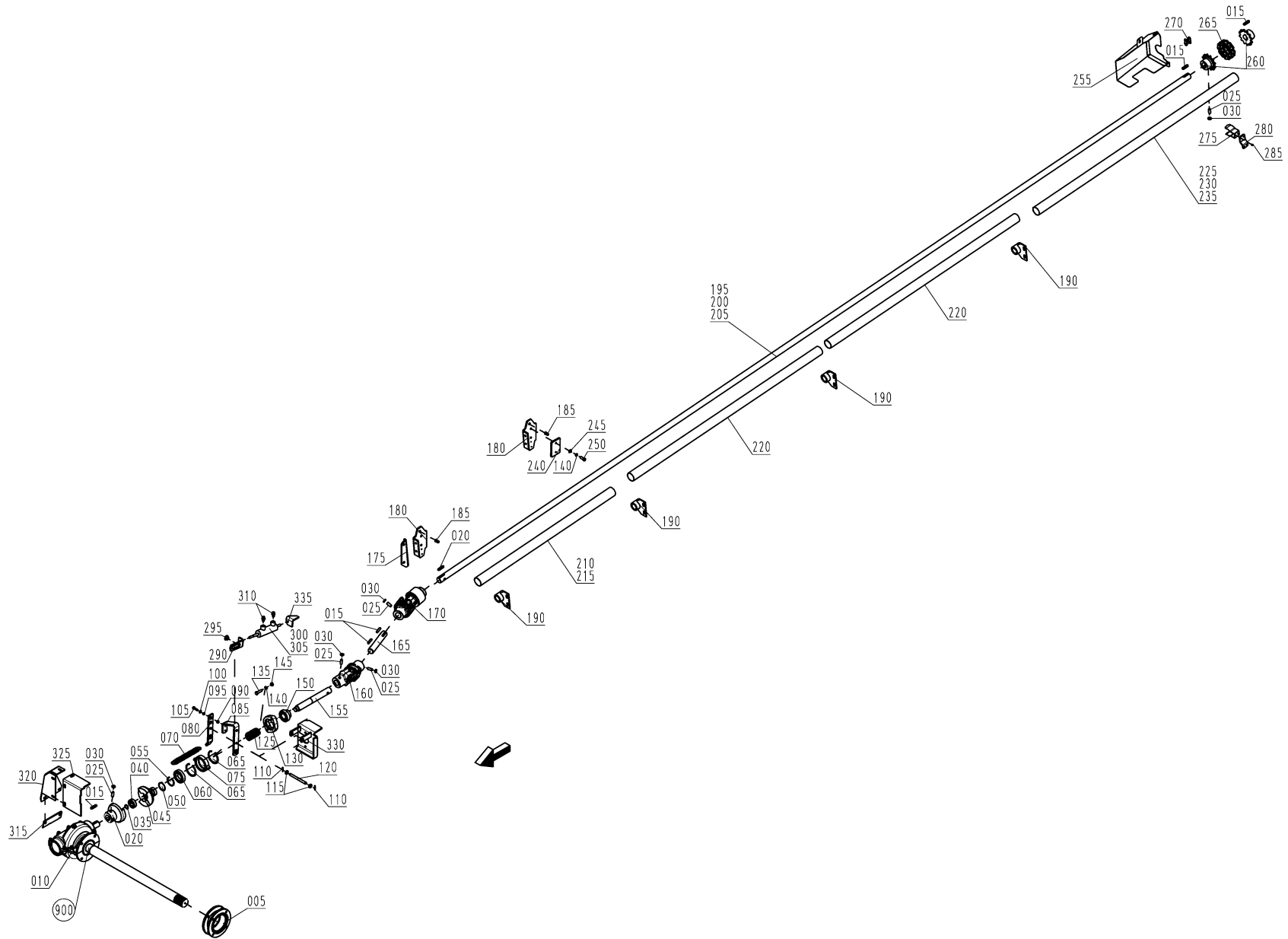
Pos.	Order No.	Pcs.	Description	Detailing	Dimension	Comment
140	86500326	39.0	hexagon nut ISO10511 galv		N M 10	
145	86501136	39.0	washer ISO7093 galv		A 10,5	
150	86502028	39.0	hexagon screw ISO4017 galv		M 10 x 25	
155	50440705	1.0	gearbox seat tot			/ Zelon CFS 2501 DO
160	50440721	1.0	gearbox seat tot			/ Zelon CFS 2901 DO,Zelon CFS 3301 DO
165	50440722	1.0	holder tot			
170	50440604	1.0	beater gear re cpl			
175	50440228	1.0	bracket		BI 4 x 67,9 x 150	
180	50440229	1.0	stripper plate		BI 4 x 200 x 322,9	
185	86503071	1.0	roller chain		1" x 67 Glieder 80HV	
190	86503072	2.0	locking link straight		f 1" 80HV Nr.58	
195	86503073	1.0	locking link cranked		f 1" 80HV Nr.59a	
200	50440710	1.0	side protector ri tot			
205	24105515	4.0	hinge galv		60 x 46 x 46 x 2 mm	
210	87004300	1.0	flap lock KV 500-01			
215	56640211	1.0	cover plate inside		BI 1,25 x 180 x 330	
220	56640202	1.0	end plate		BI 1,25 x 157,5 x 400	
225	56640200	1.0	side panel le		BI 4 x 1235,1 x 1960	
230	25304502	2.0	bump stop rubber		M 8x21 / CA. 80 SHORE	
235	50440704	1.0	switching segment tot			
240	41804507	1.0	extension spring f pick up reinf galv		4,75x27x230/350 - Drahtso	
245	86503415	1.0	eyebolt galv		LBM 12 x 120	
250	86500205	2.0	hexagon nut ISO4032 galv		M 12	
255	86501111	1.0	washer ISO7089-A 21 galv			
260	50440702	1.0	bearing sheet le tot			
265	51570205	1.0	sensor protective device		BI 1,25 x 380 x 322	
270	50440205	1.0	ring galv		BI 20 x DR180	
275	86504776	10.0	adjusting washer		PS 45 x 55 x 1	
280	30042400	1.0	squared platelet le-handed thread GS		BI 11,5 x 34 x 34	
285	53602102	1.0	tightening wheel bolt le-handed thread		SW 36 x 90	



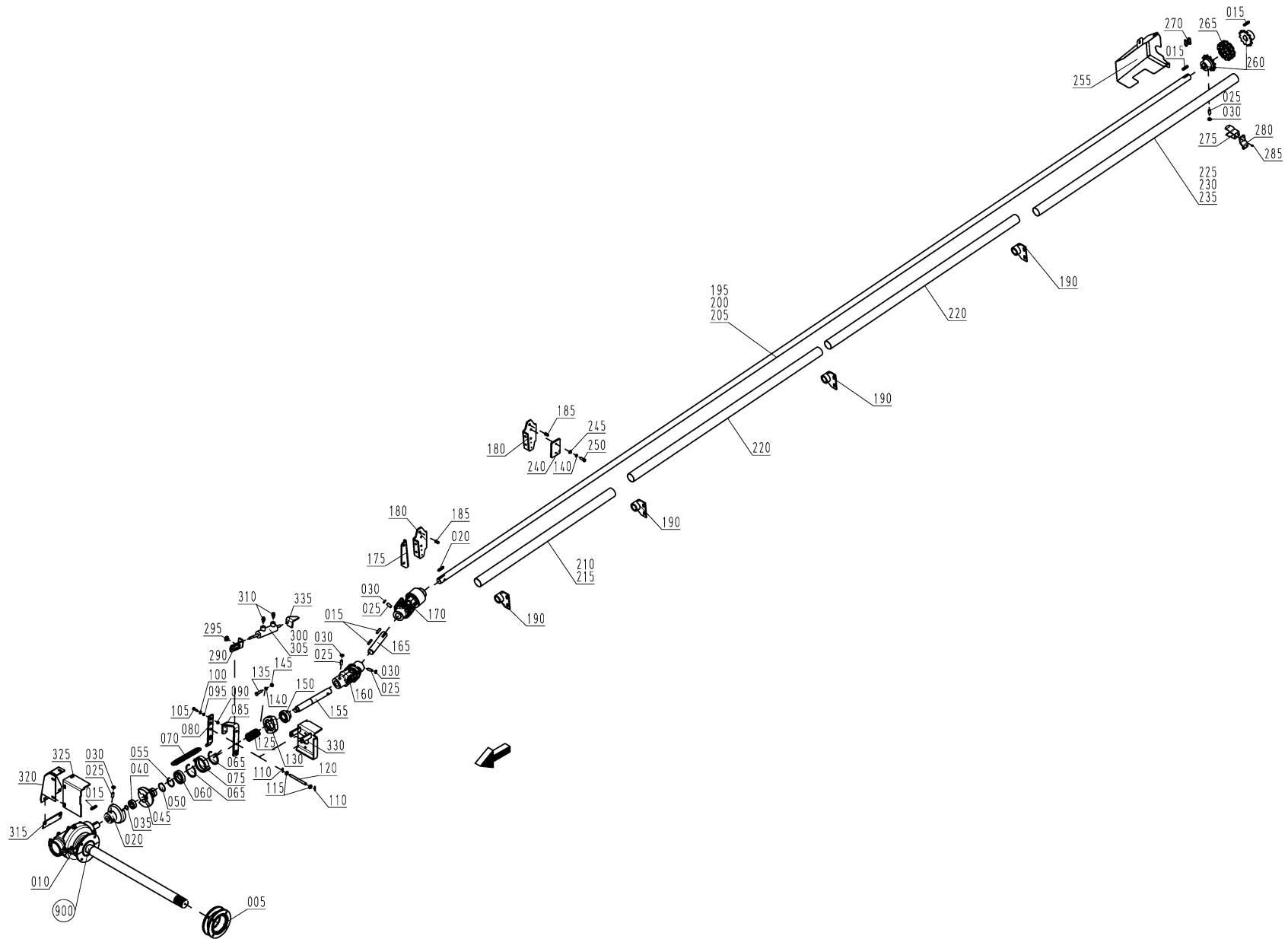
Pos.	Order No.	Pcs.	Description	Detailing	Dimension	Comment
290	51640500	1.0	adjusting ring sensor DIN705-A45			/ electro-hydraulic ISOBUS control
295	87011898	1.0	proximity sensor	EL_SEN_OBJ_M12 PS KL0.9 SS		/ electro-hydraulic ISOBUS control
300	71640201	1.0	sensor seat		BI 3 x 157,1 x 241,7	
305	86501116	2.0	washer ISO7089-A 8.4 galv			
310	86502015	2.0	hexagon screw ISO4017 galv		M 8 x 25	
315	86503070	1.0	roller chain		1" x 77 Glieder 80HV	
320	50440711	1.0	side protector le tot			
325	50440720	1.0	drive chain wheel tot			
330	51570650	1.0	switch cable super seal plug l=500			
335	87008679	1.0	proximity sensor	EL_SEN_OBJ_Grenztaster		
340	87008635	1.0	bolting/ accessories	EL_EKM_VES_Grenztaster		
345	86501145	4.0	washer ISO7089-A galv		4,3	
350	86500211	2.0	hexagon nut ISO4032 galv		M 4	
355	86503709	2.0	cheese-head screw ISO1207 galv		M 4 x 50	



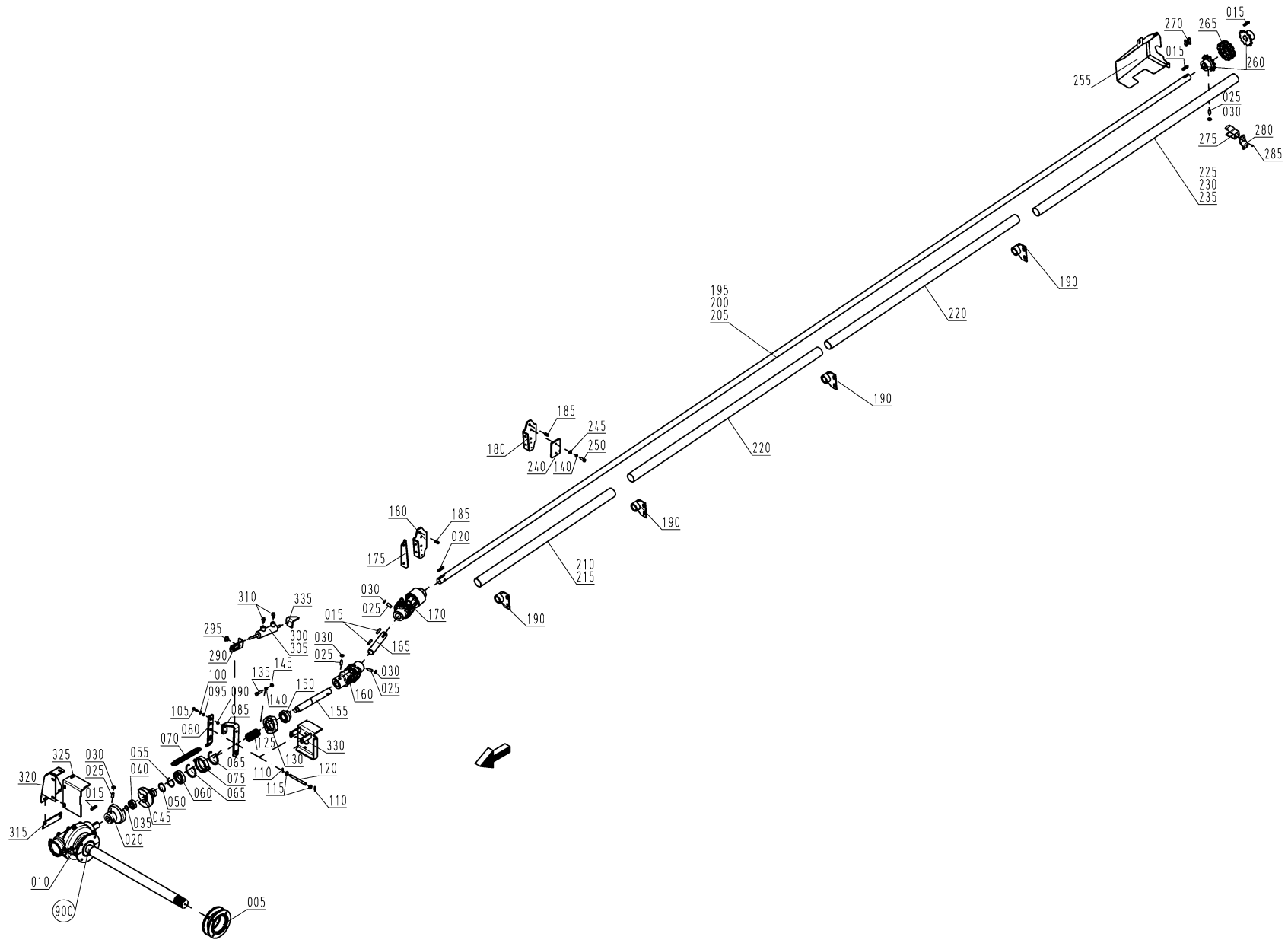
Pos.	Order No.	Pcs.	Description	Detailing	Dimension	Comment
005	50440604	1.0	beater gear re cpl			
010	41802607	1.0	gearbox casing cpl			
020	50440504	1.0	bevel gear Z=34 m=5.5 DR45			
030	50440503	1.0	bevel gear z18 m5.5 DR35			
040	86504941	1.0	feather key		4kt9x14x36	
050	86504963	1.0	feather key DIN6885-A		10 x 8 x 50	
060	86505679	1.0	tapered roller bearing single-row		32209JR	
070	86505680	1.0	deep groove ball bearing single-row		6209-C3	
080	86504670	1.0	circlip DIN472-I85x3			
090	86504838	1.0	supporting ring DIN988		SS 65 x 85 x 3,5	
100	86505367	1.0	radial shaft seal		BA SL 50 x 90 x 10	
110	86505355	1.0	radial shaft seal		BA SL 35 x 80 x 13	
120	86504853	1.0	supporting ring DIN988		SS 63 x 80 x 3	
130	86505585	2.0	deep groove ball bearing single-row		6307- Z	
140	86504653	2.0	circlip DIN472-I80x2.5			
150	41802301	1.0	spacer tube		Ro 42,4 x 3,2 x 163,5	
160	50440103	1.0	gear shaft		Rd 50 x 185	
170	50502102	1.0	drive shaft		Rd 35 x 345	
180	86506301	1.0	sealing disc		DR 80	
190	86502500	8.0	cheese-head screw ISO4762 galv		M 10 x 35	
200	86500754	8.0	spring washer DIN127 galv		A 10	
210	86502019	2.0	hexagon screw ISO4014 galv		M 8 x 45	
220	86500303	2.0	hexagon nut ISO7040 galv		N M 8	
230	86503203	1.0	screwed plug DIN910-M16x1.5			
240	86505306	2.0	copper ring		16 x 22 x 1,5	
250	87004626	1.0	bleed valve M16x1.5 0.03-0.05bar			



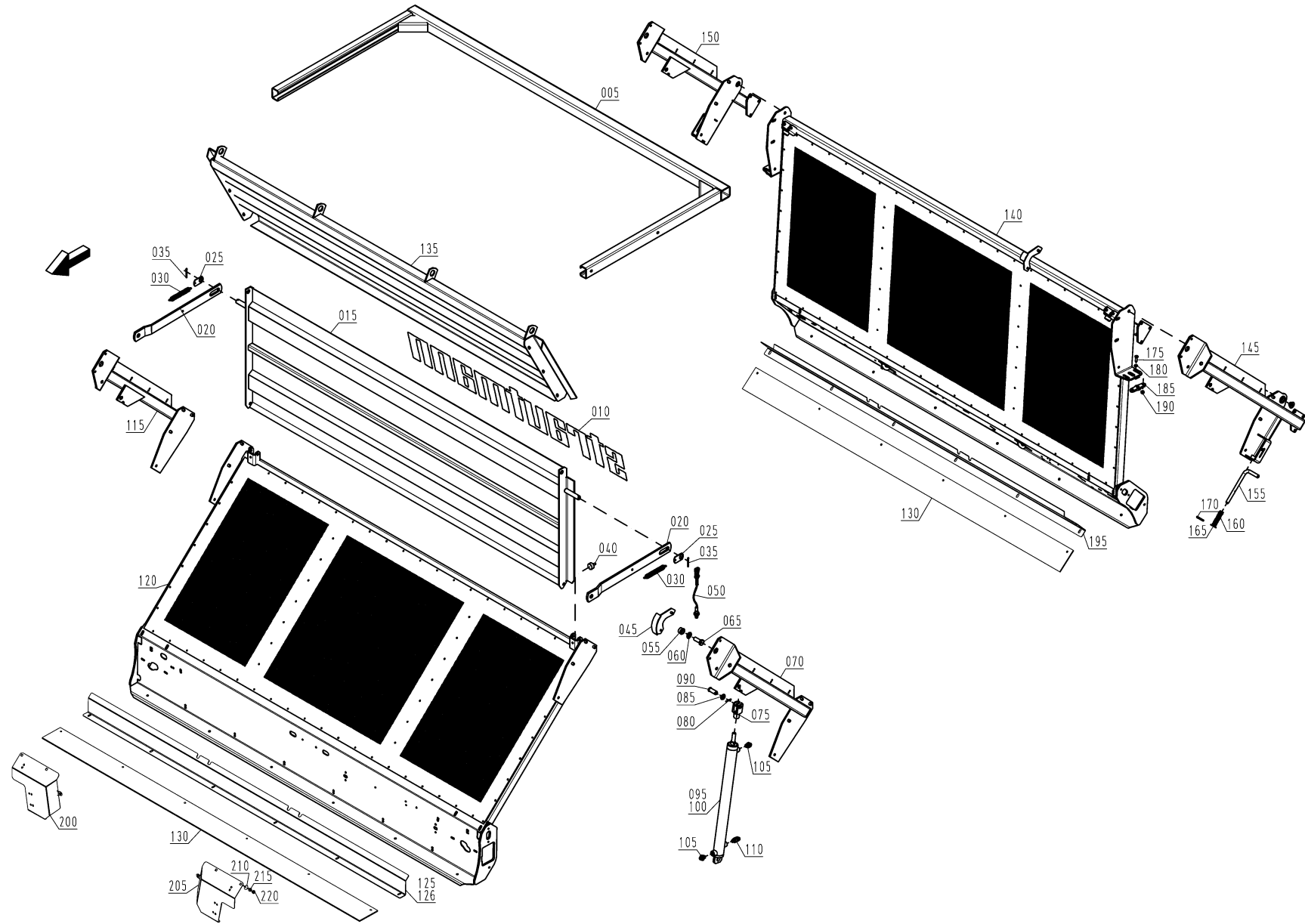
Pos.	Order No.	Pcs.	Description	Detailing	Dimension	Comment
005	74402705	1.0	gearbox flange tot			
010	74402608	1.0	angular gear cpl			
015	86504961	8.0	feather key DIN6885-A-10x8x4			
020	18102421	1.0	clutch claw			
025	86503376	7.0	threaded pin		M 12 x 30	
030	86500026	7.0	hexagon nut flat-shaped		M 12	
035	86504551	1.0	circlip DIN471-A25x1.2			
040	86505584	1.0	deep groove ball bearing single-row		6205ZZ	
045	18102422	1.0	clutch claw			
050	86504573	1.0	circlip DIN471-A50x2			
055	86504661	1.0	circlip DIN472-I55x2			
060	86505580	1.0	deep groove ball bearing single-row		6010-2Z CM	
065	86504653	2.0	circlip DIN472-I80x2.5			
070	47614502	1.0	extension spring galv		DR 4 x DR 23 x 230	
075	18102402	1.0	switching ring			
080	51502020	1.0	clutch lever sho		BI 8 x 35 x 226	
085	51502019	1.0	clutch lever lg		BI 8 x 35 x 369	
090	86500203	2.0	hexagon nut ISO4032 galv		M 8	
095	86500753	2.0	spring washer DIN127 galv		A 8	
100	86501116	2.0	washer ISO7089-A 8.4 galv			
105	86502016	2.0	hexagon screw ISO4017 galv		M 8 x 30	
110	86504226	2.0	split-pin ISO1234 galv		4 x 20	
115	86501108	2.0	washer ISO7089-A 13 galv			
120	48602109	1.0	hinge bolt		Rd 12 x 134	
125	18102501	1.0	pressure spring galv		Dr 4,75 x 80	
130	35102405	1.0	bearing housing			
135	86502086	2.0	hexagon screw ISO4017 galv		M 10 x 40	
140	86500754	#	spring washer DIN127 galv		A 10	



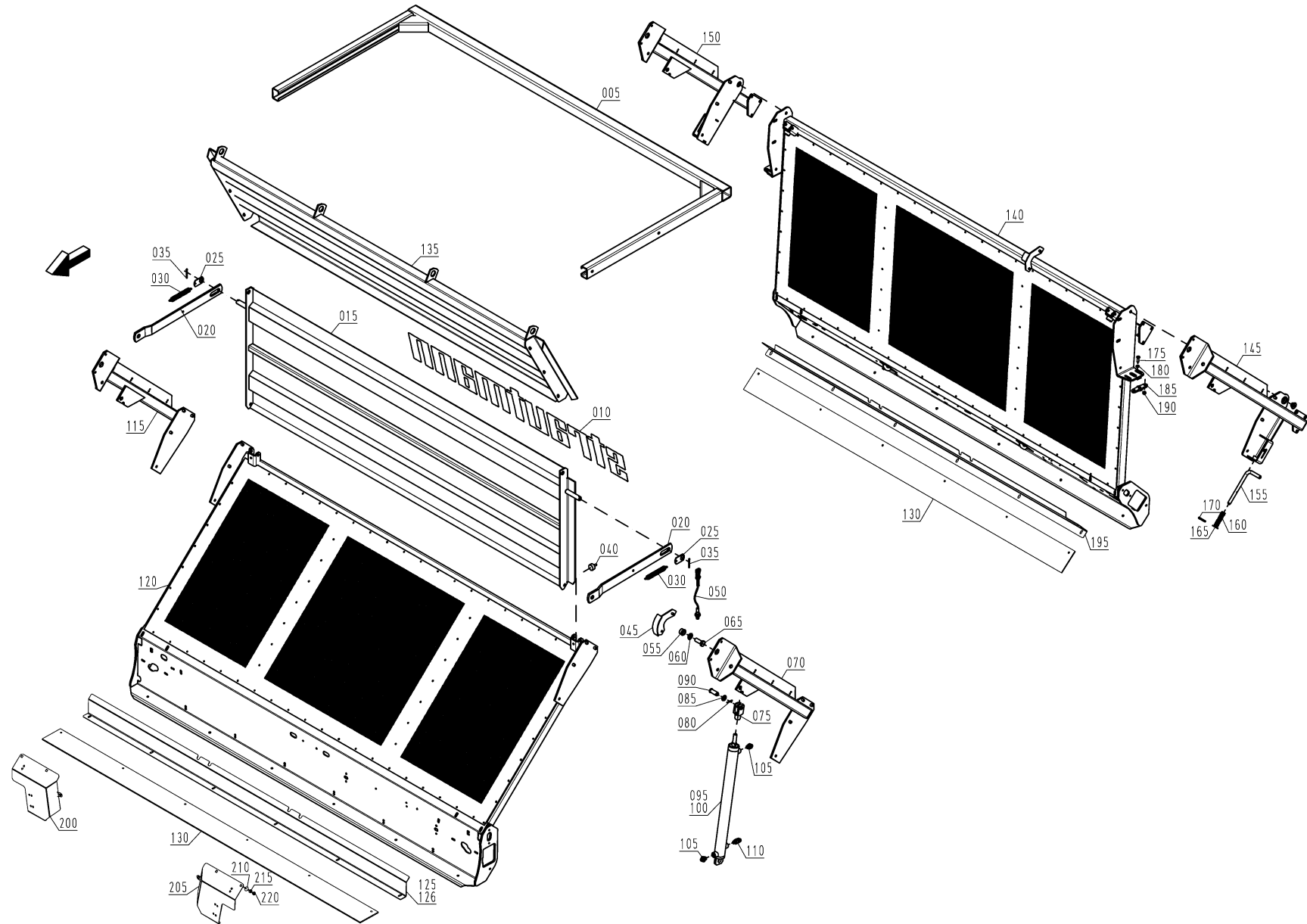
Pos.	Order No.	Pcs.	Description	Detailing	Dimension	Comment
145	86500204	2.0	hexagon nut ISO4032 galv		M 10	
150	86505566	1.0	radial insert ball bearing INA metric			
155	48602111	1.0	clutch shaft		DR 35 x 290	
160	86506839	1.0	single joint Walterscheid			
165	74402105	1.0	drive shaft		Rd 35 x 186	
170	87005394	1.0	freewheel			
175	74402228	1.0	bracket		Bl 6 x 98,1 x 194,3	
180	74402226	7.0	bearing plate galv		Bl 6 x 152,3 x 220,4	
185	88004555	7.0	blind rivet nut M8 6kt		M 8 Sw11 lg22,0	
190	48321613	4.0	bearing f drive shaft cpl			
195	74402111	1.0	drive shaft		Rd 34,98 h9 x 4735	
200	56602108	1.0	drive shaft		Rd 34,98 h9 x 5530	
205	56902100	1.0	drive shaft		Rd 34,98 h9 x 6330	
210	86720339	1.0	PVC cable protection tube black		DR 56 x 1,8 x 1165	
215	86720336	1.0	PVC cable protection tube black		DR 56 x 1,8 x 1135	
220	86720341	2.0	PVC cable protection tube black		DR 56 x 1,8 x 1590	
225	86720338	#	PVC cable protection tube black		DR 56 x 1,8 x 1700	
230	86720337	#	PVC cable protection tube black		DR 56 x 1,8 x 880	
235	86720340	1.0	PVC cable protection tube black			
240	74402227	6.0	threaded plate galv		Bl 8 x 70 x 105	
245	86501106	12.0	washer ISO7089-A10.5 galv			
250	86502415	12.0	cheese-head screw ISO4762 galv		M 10 x 25	
255	74422712	1.0	coupling protection tot			
260	32002703	2.0	chain wheel tot			
265	86506616	1.0	roller chain		1" x 12 Glieder	
270	86506617	1.0	locking link straight		1"	
275	15101503	1.0	clamping spring			
280	74401204	1.0	holder		Bl 5 x 40 x 88	
285	86503807	2.0	button-head rivet		5 x 12	
290	50502001	1.0	switch rod		Bl 8 x 40 x 142	



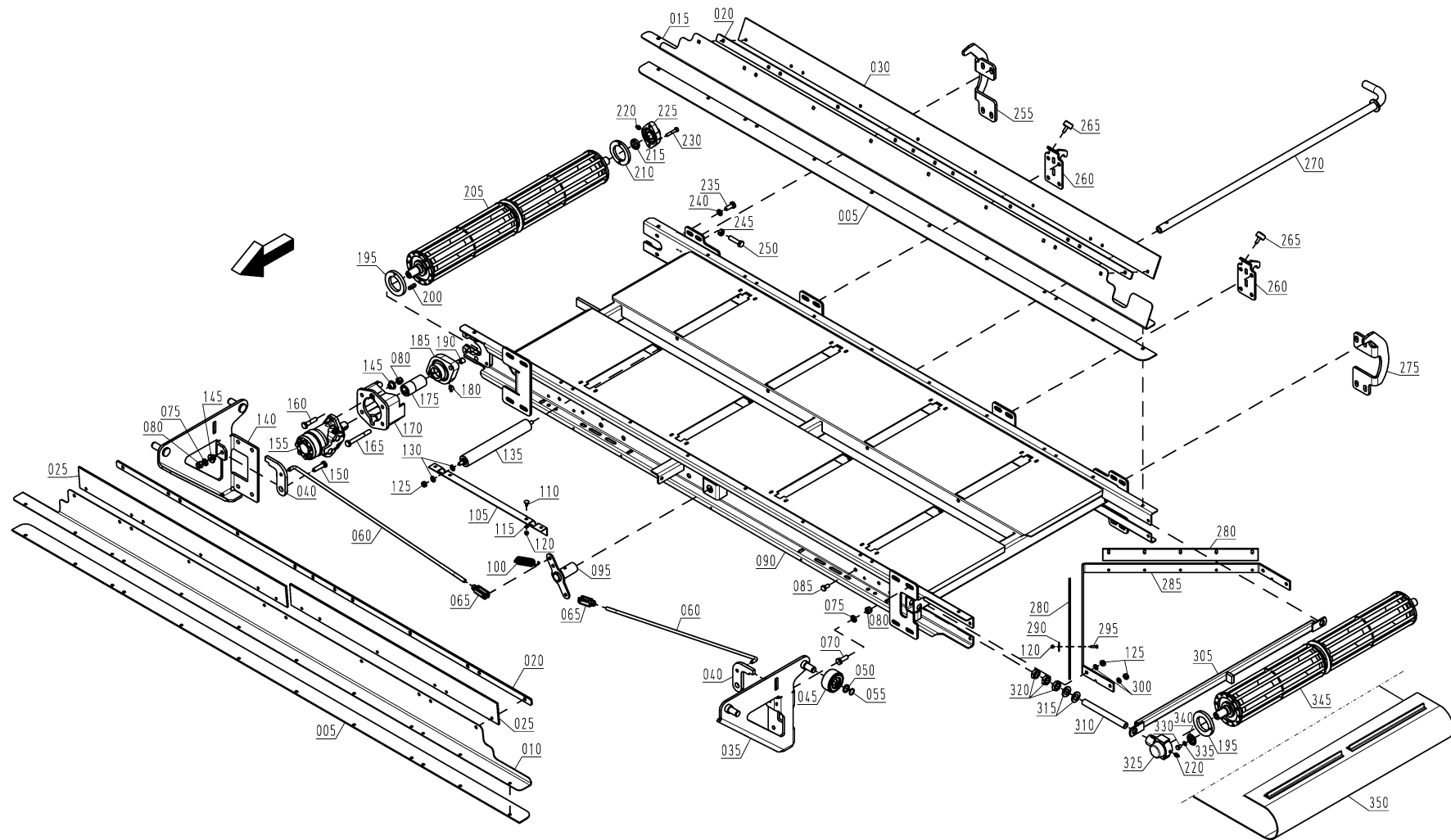
Pos.	Order No.	Pcs.	Description	Detailing	Dimension	Comment
295	24303101	1.0	button f loop galv		Rd 30 h9 x 15	
300	25005501	1.0	hydraulic cylinder DA	HYZ-DW-032/020-178-42		
305	87010308	1.0	seal kit f hydraulic cylinder	HYDI-Z-DW-32/20-SHW		
310	87000459	2.0	screw-in bolt straight	HYV-GE-08-L-M-12x1.5-ROU-CF		
315	50440228	1.0	bracket		Bl 4 x 67,9 x 150	
320	74402230	1.0	stripper plate		Bl 4 x 286 x 332	
325	74402229	1.0	gearbox element		Bl 5 x 150 x 270	
330	74402704	1.0	bearing plate tot			
335	74411245	1.0	bracket		Bl 6 x 57,1 x 97,1	



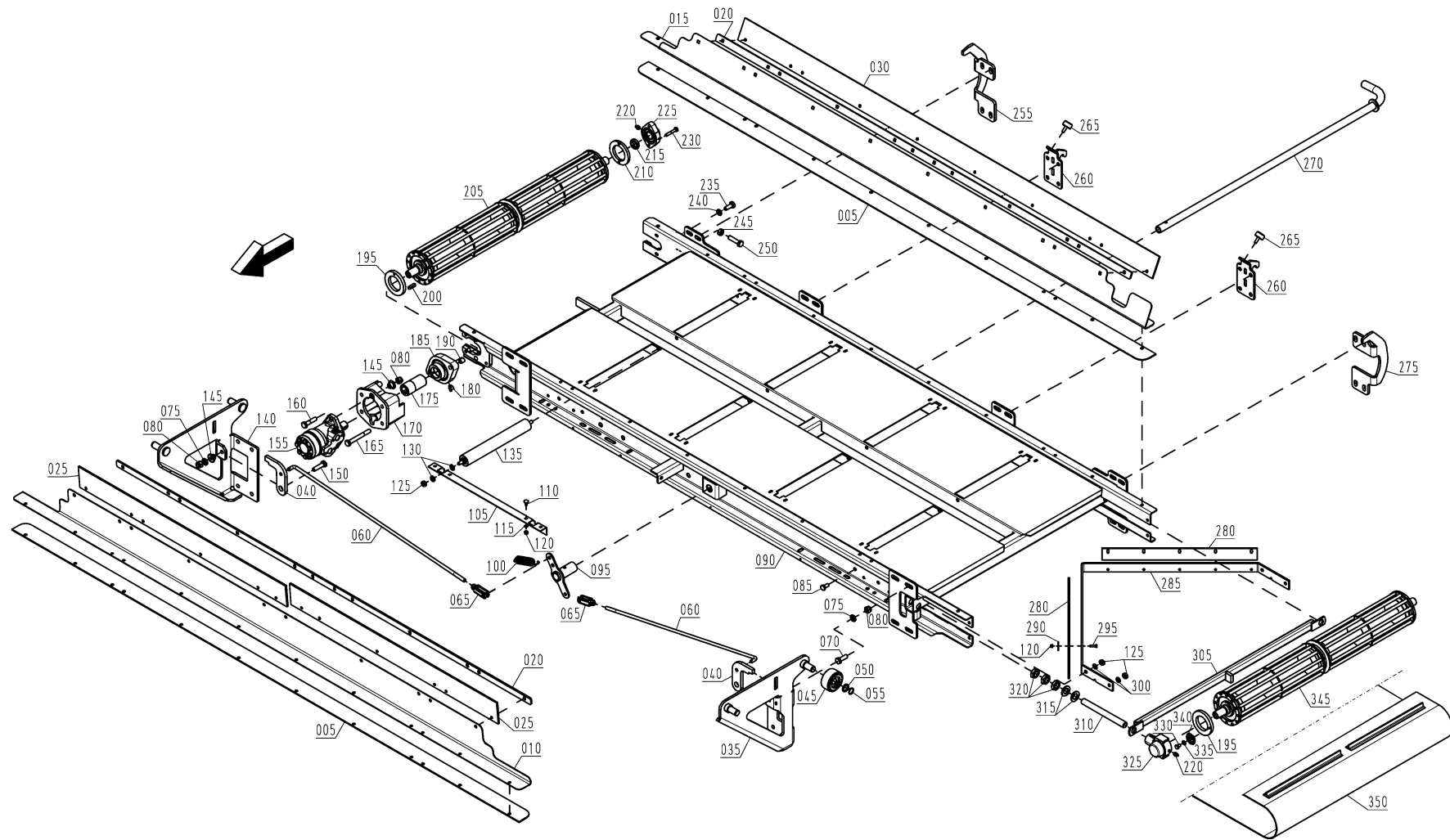
Pos.	Order No.	Pcs.	Description	Detailing	Dimension	Comment
005	54740708	1.0	end frame tot			
010	87010162	1.0	foil lettering	FSZ_Strautmann L1465		
015	54740707	1.0	back panel flap tot			
020	50440005	2.0	thrust rod		Bl 8 x 50 x 571	
025	50404012	2.0	spring holder		Bl 3 x 35 x 60	
030	43317501	2.0	extension spring cadmium-plated		Draht Dr 2,7 B / Drahtsor	
035	86504203	2.0	split-pin ISO1234 galv		4 x 40	
040	25304502	2.0	bump stop rubber		M 8x21 / CA. 80 SHORE	
045	56640705	1.0	shifting elbow tot			
050	87011898	#	proximity sensor	EL_SEN_OBJ_M12 PS KL0.9 SS		
055	40542101	2.0	collar bushing galv		Rd 30 x 18	
060	86501110	2.0	washer ISO7089-A 17 galv			
065	86502071	2.0	hexagon screw ISO4017 galv		M 16 x 40	
070	50440707	1.0	lateral pipe le tot			
075	86506813	2.0	fork joint unmounted galv		16 x 32	
080	86504205	2.0	split-pin ISO1234 galv		4 x 25	
085	86501110	2.0	washer ISO7089-A 17 galv			
090	86504121	2.0	eyebolt galv		16 x 38	
095	50404501	2.0	hydraulic cylinder DA	HYZ-DW-040/020-679-505		
100	87010311	1.0	seal kit f hydraulic cylinder	HYDI-Z-DW-40/20-SHW		
105	87000463	4.0	screw-in bolt straight	HYV-GE-08-L-M-16x1.5-ROU-CF		
110	87000332	2.0	check valve galv		RHZ 8-PLM ED 3 bar	
115	50440708	1.0	lateral pipe ri tot			
120	54740705	1.0	flap tot			
125	71640202	1.0	cover		Bl 3 x 145,6 x 2120	up to YOM 2014
126	71640216	1.0	cover		Bl 3 x 145,6 x 2120	since YOM 2014
130	50440500	1.0	rubber		6 x 120 x 2120	
135	56640700	1.0	back panel top tot			
140	74440704	1.0	flap tot			
145	74440700	1.0	lateral pipe le tot			



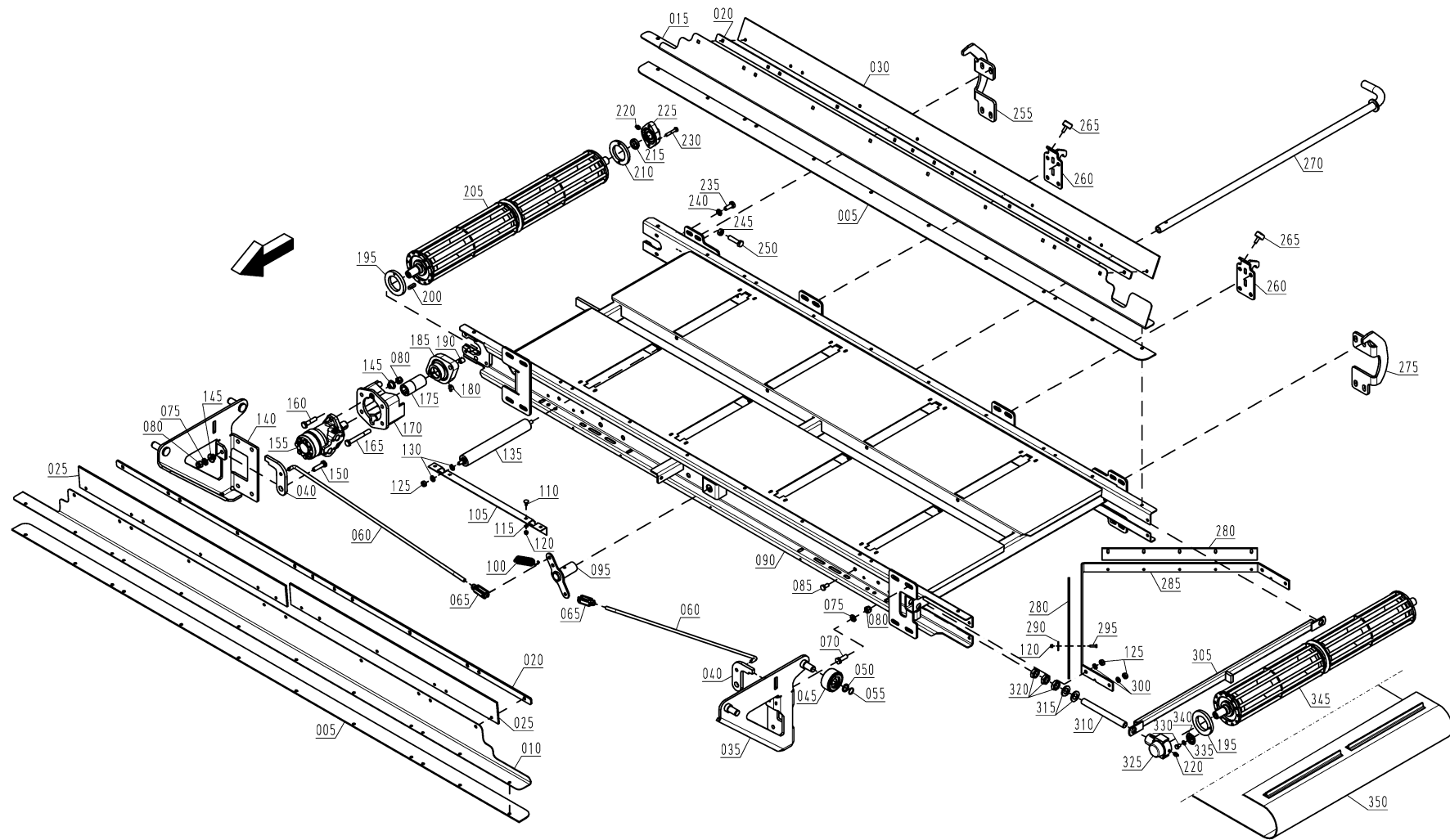
Pos.	Order No.	Pcs.	Description	Detailing	Dimension	Comment
150	74440701	1.0	lateral pipe ri tot			
155	74440000	2.0	locking bolt galv		Rd 14 x 254,4	
160	87004015	2.0	pressure spring		2,0x23x90/10,5	
165	86501107	2.0	washer ISO7089-A 15 galv			
170	86504004	2.0	tensioning pin ISO8752		5 x 45	
175	86502015	4.0	hexagon screw ISO4017 galv		M 8 x 25	
180	86501116	#	washer ISO7089-A 8.4 galv			
185	74440212	2.0	round screw-on plate		Bl 8 x 30 x 95	
190	86500303	#	hexagon nut ISO7040 galv		N M 8	
195	71640216	1.0	cover		Bl 3 x 145,6 x 2120	
200	70540202	1.0	cover ri		Bl 2 x 288,6 x 309,8	since YOM 2014
205	70540201	1.0	cover le		Bl 2 x 288,6 x 309,8	since YOM 2014
210	86503003	6.0	round-head screw DIN603 galv		M 8 x 16	since YOM 2014
215	86501116	6.0	washer ISO7089-A 8.4 galv			since YOM 2014
220	86500203	6.0	hexagon nut ISO4032 galv		M 8	since YOM 2014



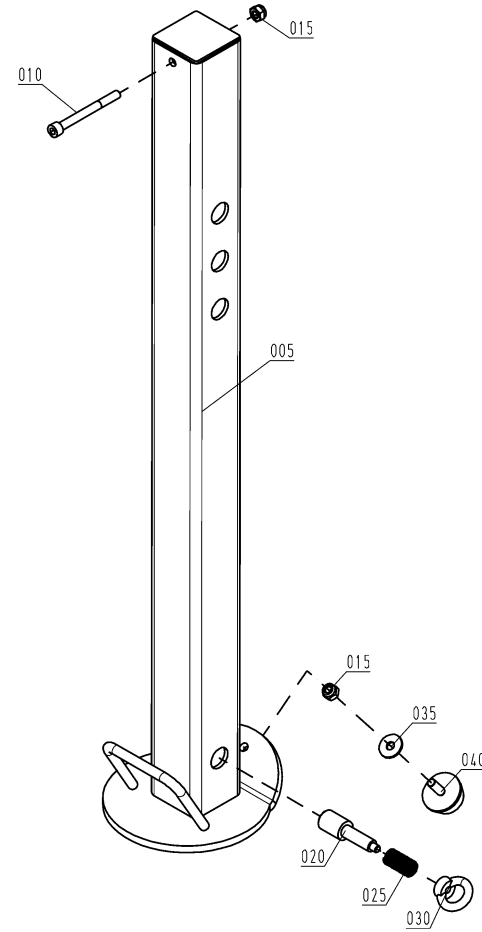
Pos.	Order No.	Pcs.	Description	Detailing	Dimension	Comment
005	60224504	2.0	sealing strip		3,2 x 65 x 2400	
010	74424212	1.0	guide plate		Bl 2 x 183,5 x 2400	
015	74424226	1.0	guide plate		Bl 2 x 163,5 x 2400	
020	74424227	2.0	clamping strip		Bl 5 x 25 x 1920	
025	74424501	2.0	rubber seal		5 x 90 x 960	
030	74424502	1.0	rubber seal		5 x 80 x 1960	
035	74424700	1.0	Suspension left complete			
040	74424211	2.0	Support left		Bl 10 x 95 x 121	
045	74424500	4.0	pulley		Rd 72 x 38	
050	86504815	4.0	supporting ring DIN988		SS 20 x 28 x 2	
055	86504586	4.0	circlip DIN471-A20x1.2			
060	74424000	2.0	switch rod galv		Rd 10 x 910	
065	86506803	2.0	fork joint w plug-in bolt galv		10 x 40	
070	86502042	24.0	hexagon screw ISO4017 galv		M 12 x 35	
075	86501108	52.0	washer ISO7089-A 13 galv			
080	86500301	28.0	hexagon nut ISO7040 galv		N M 12	
085	86502027	8.0	hexagon screw ISO4017 galv		M 10 x 20	
090	74424707	1.0	cro conv frame tot			
095	74424703	1.0	switching lug tot			
100	30003508	1.0	return spring f shifting arm		Dr 3 x 22,4 x 120	
105	43324215	4.0	roller support		Bl 2 x 60 x 530	
110	86503019	16.0	round-head screw DIN603 galv		M 6 x 16	
115	86501115	16.0	washer ISO7089-A 6.4 galv			
120	86500310	36.0	hexagon nut ISO7040 galv		N M 6	
125	86500204	24.0	hexagon nut ISO4032 galv		M 10	
130	86501106	32.0	washer ISO7089-A10.5 galv			
135	87004853	8.0	carrying roller HGK 40x2			
140	74424701	1.0	switching lug tot			
145	24303101	4.0	button f loop galv		Rd 30 h9 x 15	
150	86502044	2.0	hexagon screw ISO4017 galv		M 12 x 45	



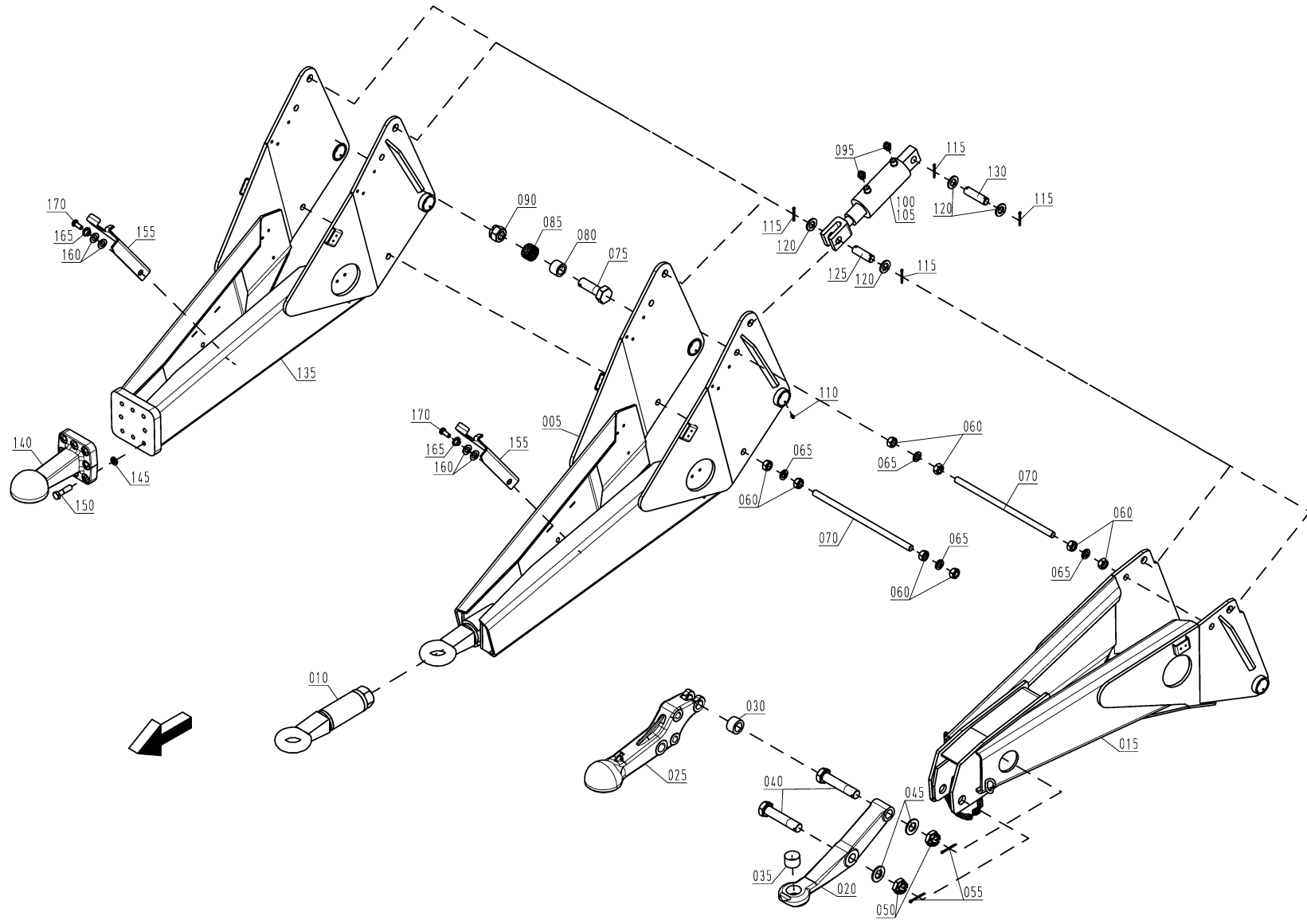
Pos.	Order No.	Pcs.	Description	Detailing	Dimension	Comment
155	87000009	1.0	hydraulic motor	HYM-B-1-ZR-160-OMP-X	OMP 160-25-2Loch	
160	86502046	2.0	hexagon screw ISO4014 galv		M 12 x 50	
165	86502052	4.0	hexagon screw ISO4014 galv		M 12 x 100	
170	60124710	1.0	engine holder tot			
175	60124107	1.0	connecting bushing		Rd 42 h9 x 85	
180	86506440	1.0	lubricating nipple		R 1/8" - H2 >45^<	
185	86505769	1.0	2-hole flange bearing INA		40x150x46,3	
190	86506100	2.0	slide bearing G IGLIDUR			
195	60124512	3.0	anti-wrap guard		Dr 89 x 10	
200	86504951	1.0	feather key DIN6885-A		8 x 7 x 32	
205	60124729	1.0	driving roller w S tot			
210	60124218	1.0	threaded washer		Bl 8 x DR 88	
215	60925304	1.0	spacer ring		Ro 35 x 6,3 x 9	
220	86506415	3.0	lubricating nipple		R 1/8" - H1 >GERADE<	
225	87006602	1.0	2-hole flange bearing INA cpl	WL_FL_e_025.0x097.0x33.40		
230	86502019	2.0	hexagon screw ISO4014 galv		M 8 x 45	
235	86502041	2.0	hexagon screw ISO4017 galv		M 12 x 30	
240	86500755	6.0	spring washer DIN127 galv		A 12	
245	86500205	1.0	hexagon nut ISO4032 galv		M 12	
250	86502045	1.0	hexagon screw ISO4017 galv		M 12 x 50	
255	74424229	1.0	Support right		Bl 8 x 158,1 x 265	
260	74424708	2.0	connecting tube tot			
265	25304502	2.0	bump stop rubber		M 8x21 / CA. 80 SHORE	
270	74424704	1.0	locking tube tot			
275	74424228	1.0	Support left		Bl 8 x 158,1 x 265	
280	60124511	4.0	stripping rubber		4 x 47 x 520 / 2 EINLAGEN	
285	60124016	2.0	stripper		Bl 5 x 35 x 1465	



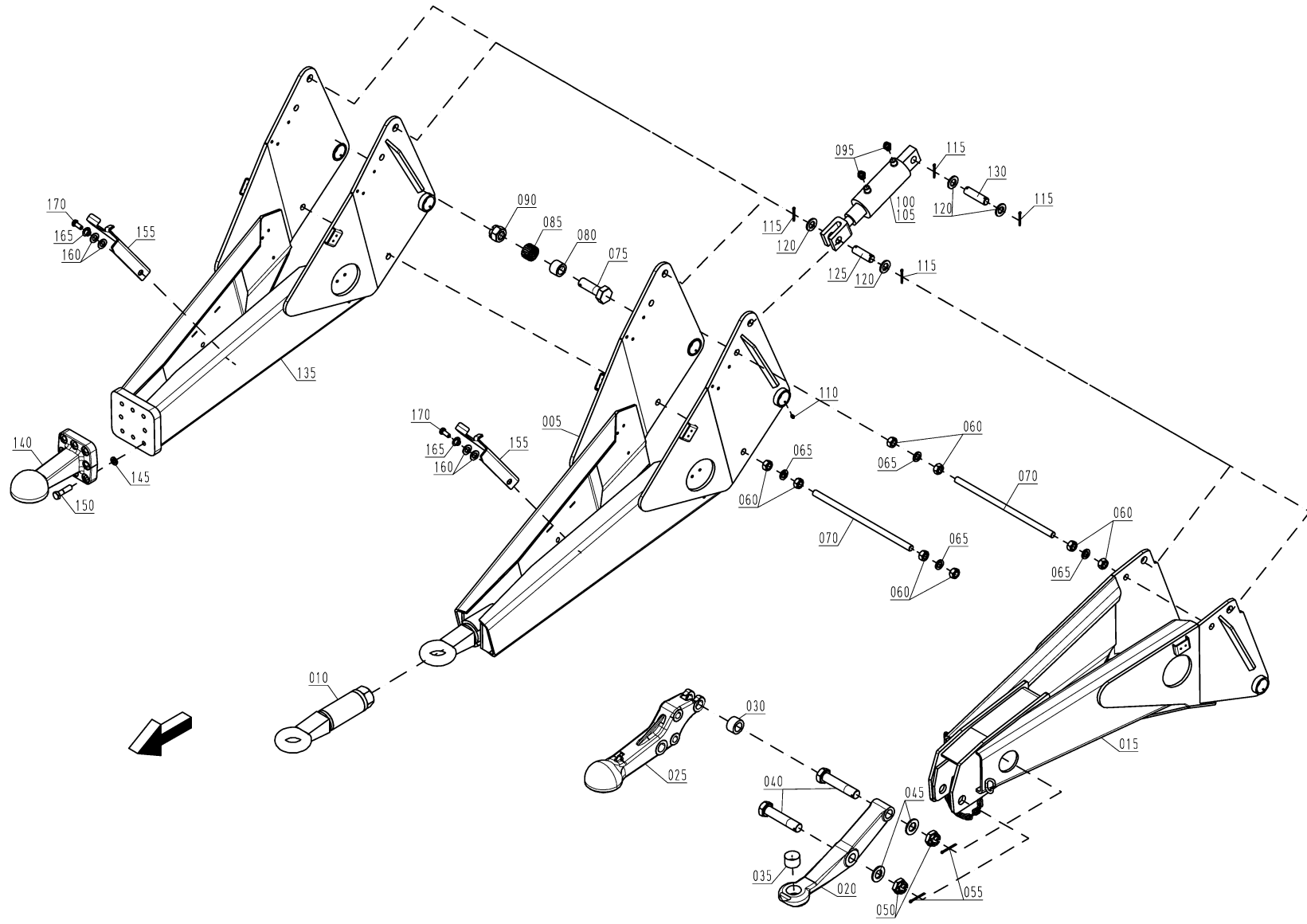
Pos.	Order No.	Pcs.	Description	Detailing	Dimension	Comment
290	86502008	20.0	hexagon screw ISO4017 galv		M 6 x 20	
295	86500912	20.0	washer ISO7093 galv		A 6,4 x 30 x 1,5	
300	86500754	8.0	spring washer DIN127 galv		A 10	
305	60124715	1.0	stripper pipe tot			
310	43324501	2.0	threaded rod		M 20 x 200	
315	86501111	4.0	washer ISO7089-A 21 galv			
320	86500226	6.0	hexagon nut ISO4035 galv		M 20	
325	87006603	2.0	tensioning housing INA w protective cap	WL_S_e_025.0x070.0x37.50		
330	86502274	2.0	hexagon screw ISO4017 galv		M 8 x 12	
335	86500753	5.0	spring washer DIN127 galv		A 8	
340	21424100	2.0	guide pulley		Rd 40 h11 x 5,5	
345	60124728	1.0	pulley w S tot			
350	60224503	1.0	conveyor belt PVC /1 wedge/ T-St	FB-PVC-830x4845/2400/xT15	2,6x830x4845/2400/xT15	



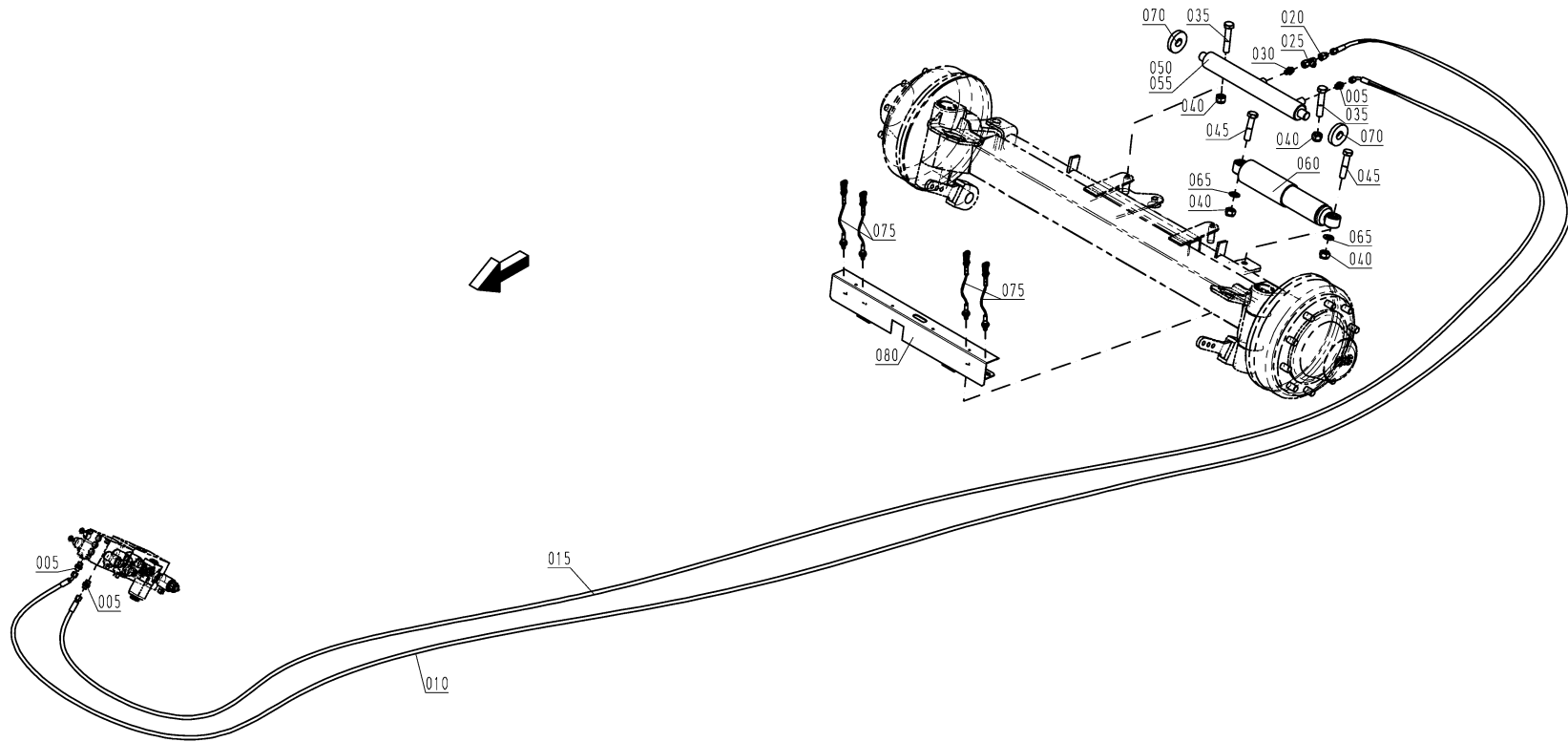
Pos.	Order No.	Pcs.	Description	Detailing	Dimension	Comment
005	74411715	1.0	supporting leg tot			
010	86502521	1.0	cheese-head screw ISO4762 galv		M 10 x 100	
015	86500304	2.0	hexagon nut ISO7040 galv		N M 10	
020	50411103	1.0	bolt galv		Rd 25 h9 x 90	
025	30003506	1.0	pressure spring galv		1,8 x 18,7 x 45,5	
030	86500452	1.0	ring nut galv		M 10	
035	86501136	1.0	washer ISO7093 galv		A 10,5	
040	63240516	1.0	bump stop rubber GMT		DR 50 x 22.5 - M 10x28	



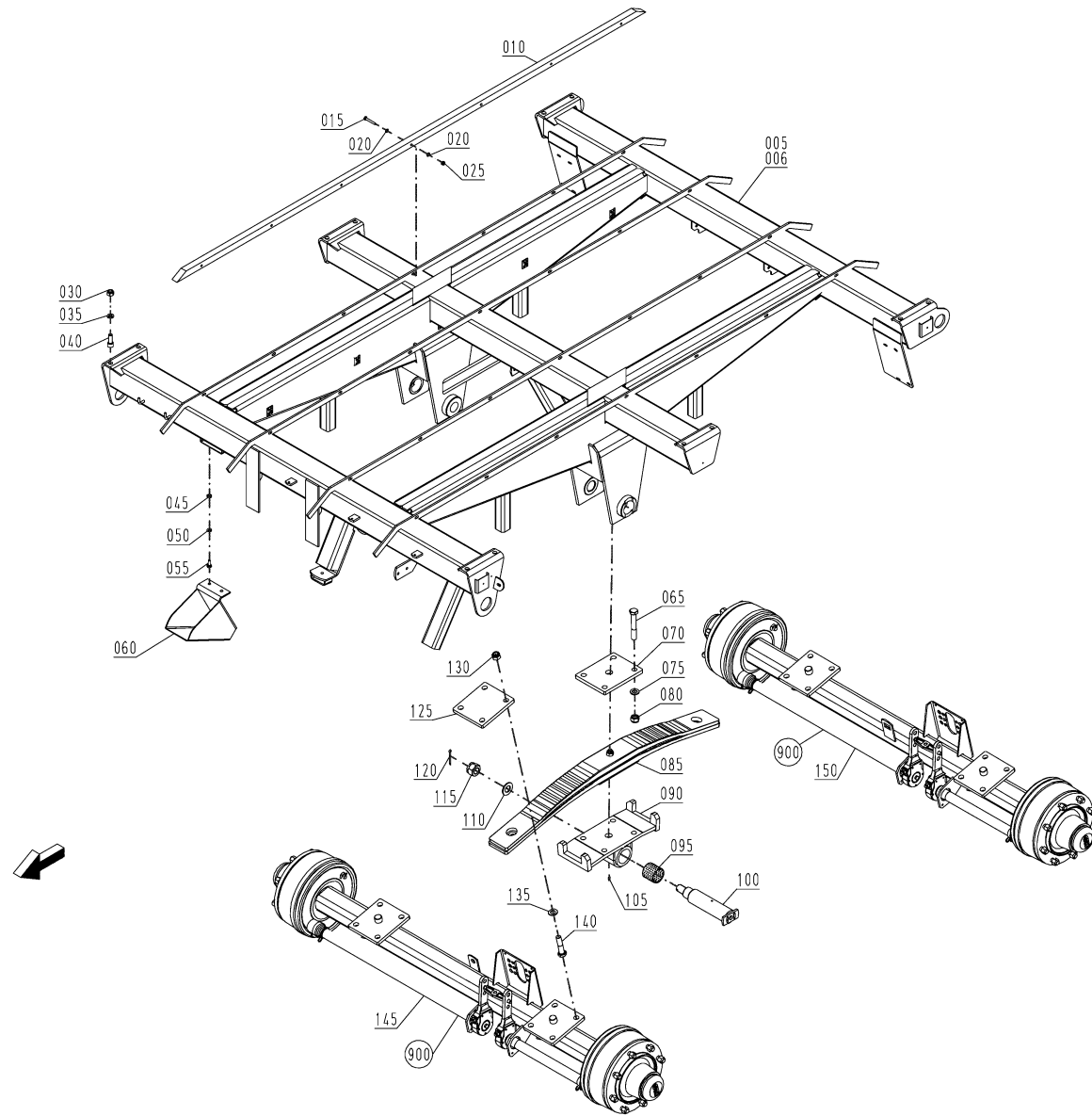
Pos.	Order No.	Pcs.	Description	Detailing	Dimension	Comment
005	74486700	1.0	drawbar bottom linkage tot			
010	87003849	1.0	drawbar lug pivotable			
015	74484700	1.0	drawbar top linkage tot			
020	50484400	1.0	drawbar lug cpl			
025	87003882	1.0	coupling head K80/Kombi- Strautmann			
030	50484005	1.0	intermediate element		Rd 50 x 30	
035	87003881	1.0	steel bush f drawbar lug		L-021.6 / Dr 33 x 50	
040	50484501	2.0	hexagon screw special design		M 30 x 1,5 x 145	
045	86501124	2.0	washer ISO7089-A 31 galv			
050	86500421	2.0	crown nut DIN937-M30x1.5			
055	86504217	2.0	split-pin ISO1234 galv		5 x 56	
060	86500207	#	hexagon nut ISO4032 galv		M 20	
065	86500761	#	spring washer DIN127 galv		A 20	
070	48808500	#	connecting rod galv		M 20 x 450	
075	50486501	2.0	screw galv		M 30 x 1,5 x 95	
080	48883100	2.0	spacer bushing		Rd 45 x 32,5	
085	86506023	2.0	bushing / hole pattern		45 x 50 x 30	
090	86500419	2.0	crown nut DIN935-M30x1.5 galv			
095	87000463	2.0	screw-in bolt straight	HYV-GE-08-L-M-16x1.5-ROU-CF		
100	74484500	2.0	hydraulic cylinder DA	HYZ-DW-070/050-385-100		
105	87001438	2.0	seal kit f hydraulic cylinder	HYDI-Z-DW-70/50-SHW		
110	86506405	1.0	lubricating nipple		M 8 x 1 H1 >GERADE<	
115	86504201	8.0	split-pin ISO1234 galv		5 x 40	
120	86501122	8.0	washer ISO7089-A 25 galv			
125	57584100	2.0	bolt galv		Rd 25 h9 x 82	
130	31546115	2.0	bolt FLB 025.0x094.0 galv		Rd 25 h9 x 94	
135	74486703	1.0	drawbar bo linkage ball lug tot			
140	87003622	1.0	coupling head K80 flange 100x110			
145	86500758	8.0	spring washer DIN127 galv		A 16	
150	86501650	8.0	hexagon screw ISO4014 galv		M 16 x 60	



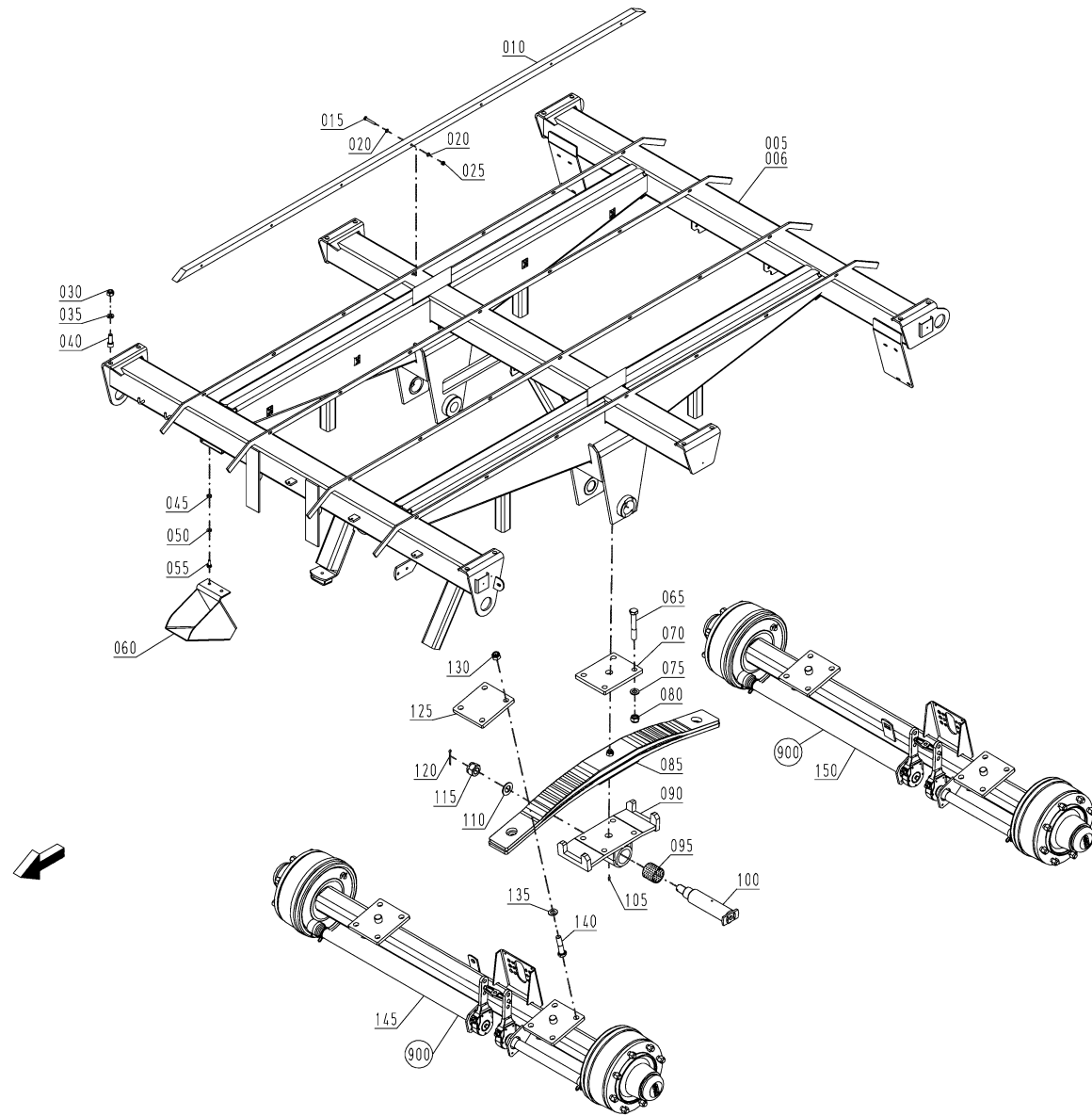
Pos.	Order No.	Pcs.	Description	Detailing	Dimension	Comment
155	74486202	1.0	propeller shaft protective cover galv		Bl 5 x 155,8 x 303,4	since YOM 2015
160	86501139	2.0	washer ISO7089-A 19 galv			since YOM 2015
165	24303101	1.0	button f loop galv		Rd 30 h9 x 15	since YOM 2015
170	86502041	1.0	hexagon screw ISO4017 galv		M 12 x 30	since YOM 2015



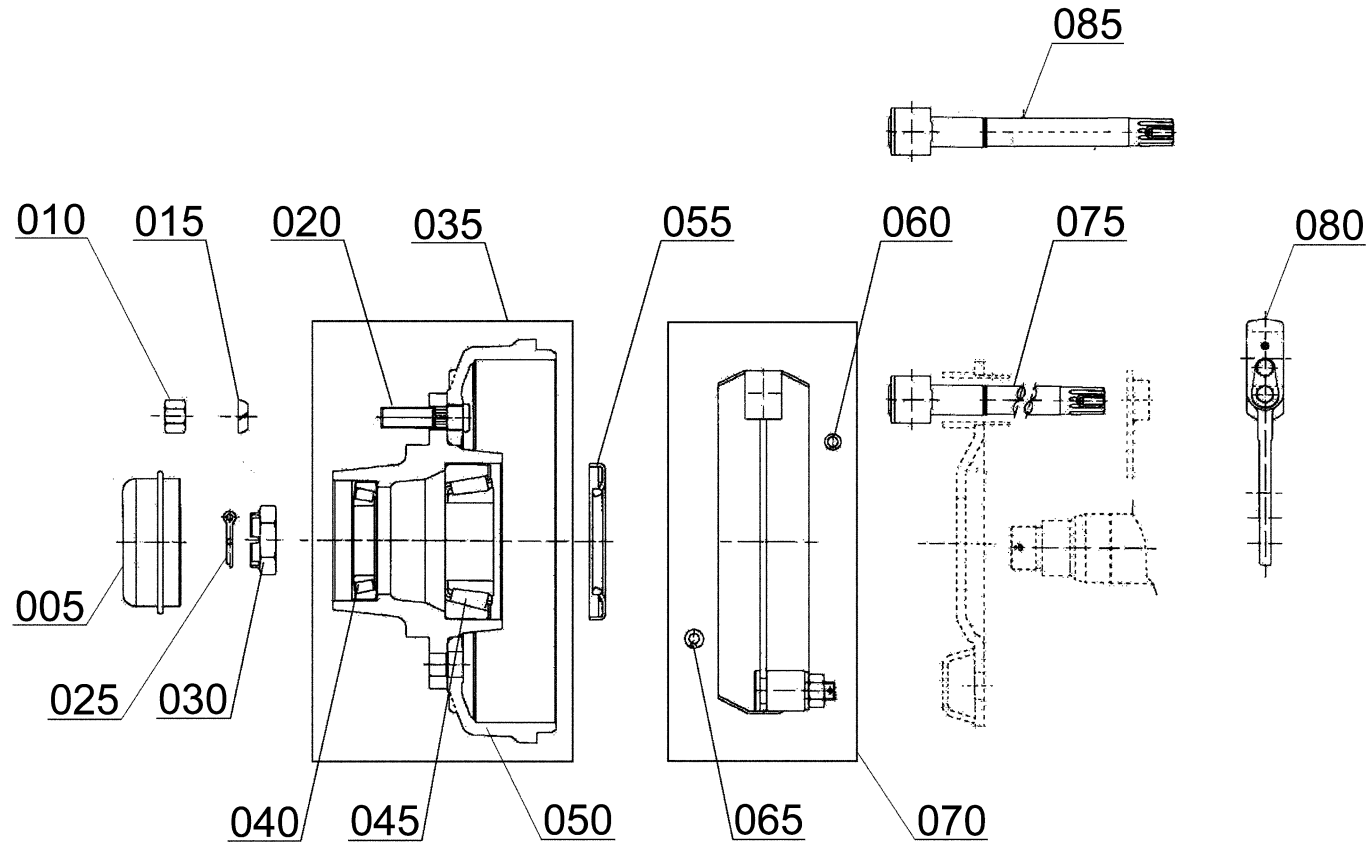
Pos.	Order No.	Pcs.	Description	Detailing	Dimension	Comment
005	87000511	3.0	screw-in bolt straight	HYV-GE-08-L-R-3/8-ROU-CF		
010	87001095	1.0	hydraulic hose	HYS-1SN-06x2300-AO08L-AO08L45		
015	87030466	1.0	hydraulic hose	HYS-1SN-06x2900-AO08L-AO08L90		
020	87000781	1.0	cone reducing fitting w taper	HYV-RED-12/08-L-ROU-CF		
025	87000469	1.0	L-shaped standpipe fitting	HYV-EVL-12-L-ROU-CF		
030	87000504	1.0	screw-in bolt straight	HYV-GE-12-L-R-3/8-ROU-CF		
035	86502254	2.0	hexagon screw ISO4014 galv		M 20 x 100	
040	86500309	4.0	hexagon nut ISO7040 galv		N M 20	
045	86502361	2.0	hexagon screw ISO4014 galv		M 20 x 90	
050	87002025	1.0	locking cylinder f steering axle DA			
055	87002380	1.0	seal kit f hydraulic cylinder	HYDI-Z-DW-50/30-FAD		
060	87003625	1.0	shock absorber DR86			
065	86501111	2.0	washer ISO7089-A 21 galv			
070	51570100	2.0	sensor ring galv		Rd 80 x 15	
075	87011898	#	proximity sensor	EL_SEN_OBJ_M12 PS KL0.9 SS		
080	73270703	1.0	sensor holder tot			



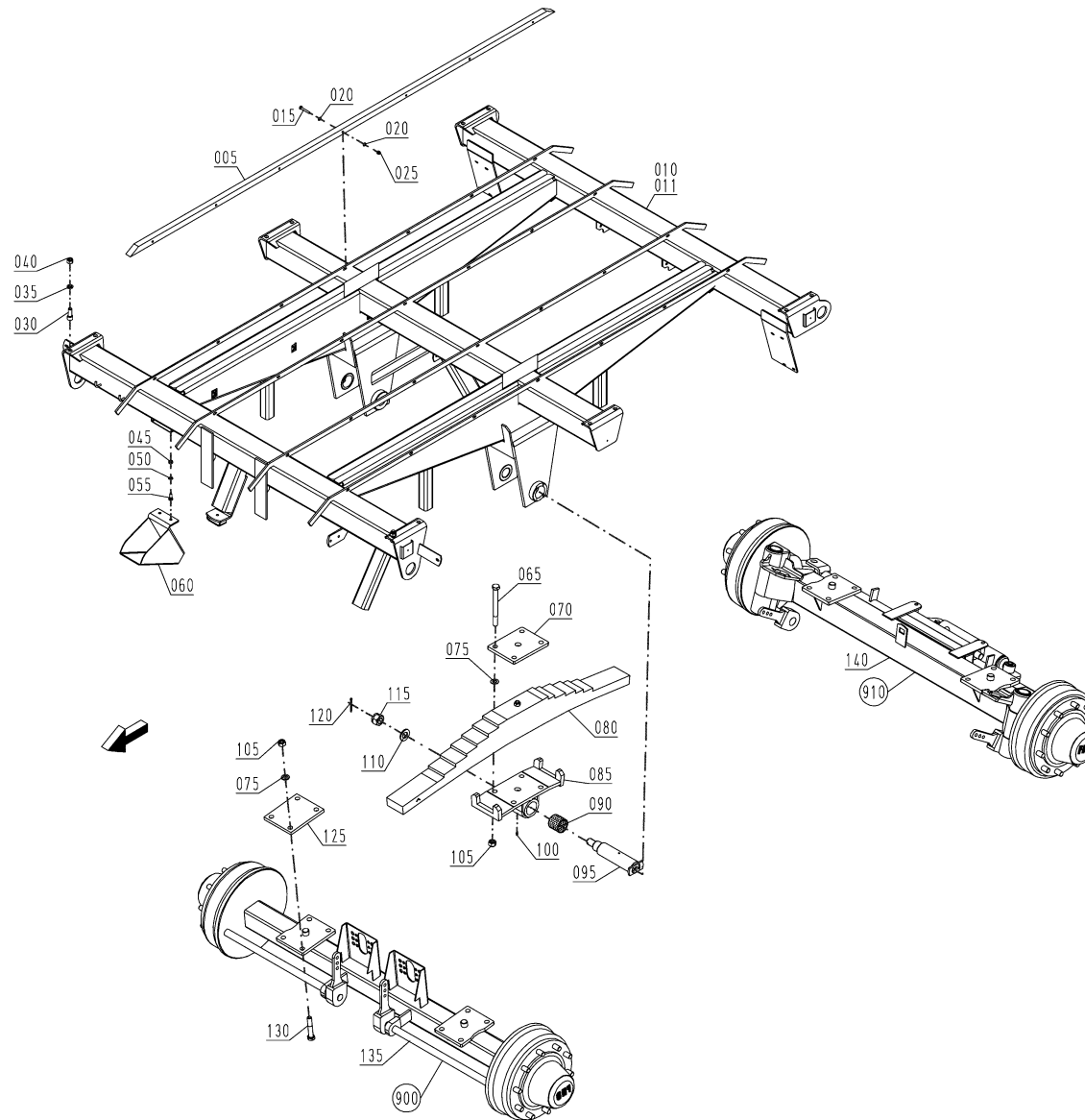
Pos.	Order No.	Pcs.	Description	Detailing	Dimension	Comment
005	74427700	1.0	axle support tot			up to YOM 2015
006	74427708	1.0	TD axle support 12t tot			since YOM 2015
010	44865800	4.0	wooden strip		30 x 30 x 2680	
015	86502117	28.0	hexagon screw ISO4017 galv		M 8 x 55	
020	86501116	56.0	washer ISO7089-A 8.4 galv			
025	86500303	28.0	hexagon nut ISO7040 galv		N M 8	
030	86500302	12.0	hexagon nut ISO7040 galv		N M 16	
035	86500758	1.0	spring washer DIN127 galv		A 16	
040	86502464	1.0	cheese-head screw ISO4762 galv		M 16 x 40	
045	86500204	2.0	hexagon nut ISO4032 galv		M 10	
050	86501106	2.0	washer ISO7089-A10.5 galv			
055	86502028	2.0	hexagon screw ISO4017 galv		M 10 x 25	
060	51529730	1.0	knife bag tot			
065	86502356	8.0	hexagon screw ISO4014 galv		M 20 x 130	
070	41525014	2.0	clamping plate		Bl 15 x 170 x 220	
075	86501111	8.0	washer ISO7089-A 21 galv			
080	86500309	8.0	hexagon nut ISO7040 galv		N M 20	
085	41525503	2.0	parabolic spring			
090	41525602	2.0	spring bearing cpl			
095	86506074	2.0	bushing / hole pattern		60,1 H9 x 65 x 60	
100	41525720	2.0	axle bolt tot			
105	86506401	2.0	lubricating nipple		M 6 x 1 H1 >GERADE<	
110	86501124	2.0	washer ISO7089-A 31 galv			
115	86500419	2.0	crown nut DIN935-M30x1.5 galv			
120	86504235	2.0	split-pin ISO1234 galv		6,3 x 55	
125	41066002	4.0	clamping plate		Bl 15 x 170 x 190	
130	86500309	16.0	hexagon nut ISO7040 galv		N M 20	
135	86501111	16.0	washer ISO7089-A 21 galv			



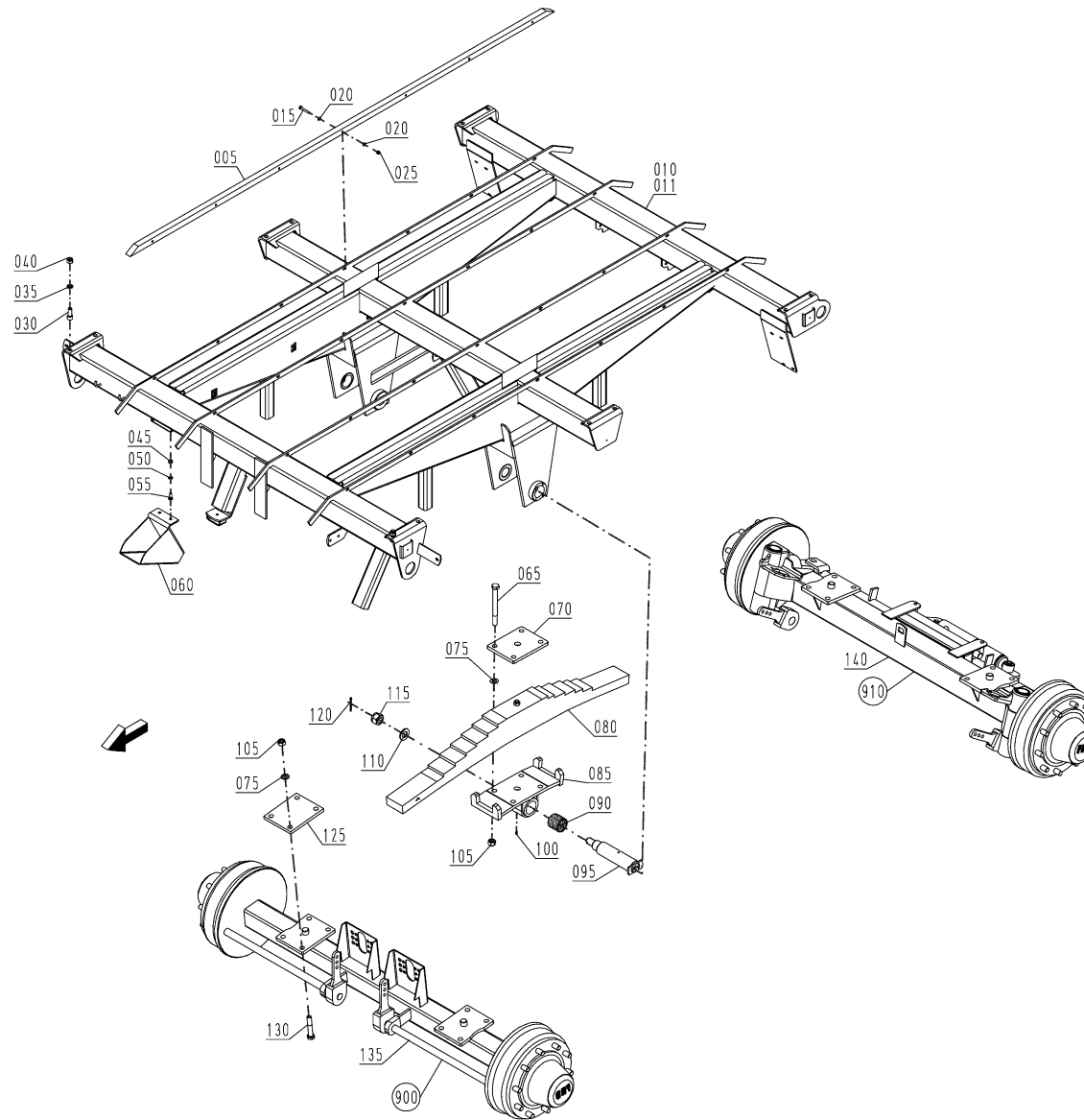
Pos.	Order No.	Pcs.	Description	Detailing	Dimension	Comment
140	86502361	16.0	hexagon screw ISO4014 galv		M 20 x 90	
145	74427704	1.0	FAD braking axle fr tot			
150	74427705	1.0	FAD braking axle re tot			



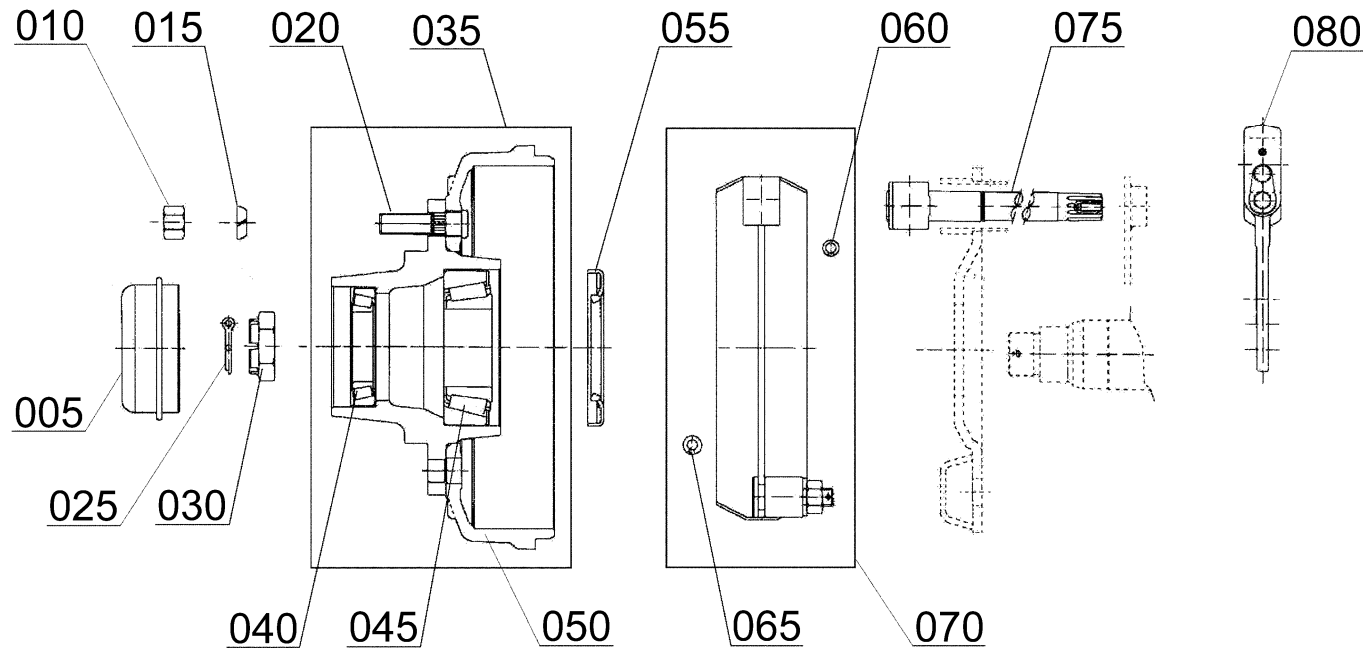
Pos.	Order No.	Pcs.	Description	Detailing	Dimension	Comment
005	87002092	2.0	hubcap DR110			
010	87002262	20.0	wheel nut w spherical galv		M 18 x 1,5	
015	86500764	20.0	Limes-type conical spring washer galv		Dr 18,5	
020	87001892	20.0	grooved bolt M18x1.5x62			
025	87001985	2.0	split-pin ISO1234 galv		6,3 x 80	
030	87002090	2.0	crown nut M45x2			
035	87003842	2.0	brake drum hub 300x90 F8			
040	86505735	2.0	tapered roller bearing single-row		32216	
045	86505753	2.0	tapered roller bearing single-row		32212	
050	87002186	2.0	brake drum 300x90 F 8			
055	87002089	2.0	sealing ring 80x140			
060	87001895	2.0	upper spring 18x4.5x170			
065	87001894	2.0	lower spring 18x4.0x170			
070	87002348	2.0	brake shoe w lining cpl			
075	87003843	1.0	camshaft		DR40 L550	
080	87002099	2.0	brake lever			
085	87003855	1.0	camshaft		DR40 L1020	



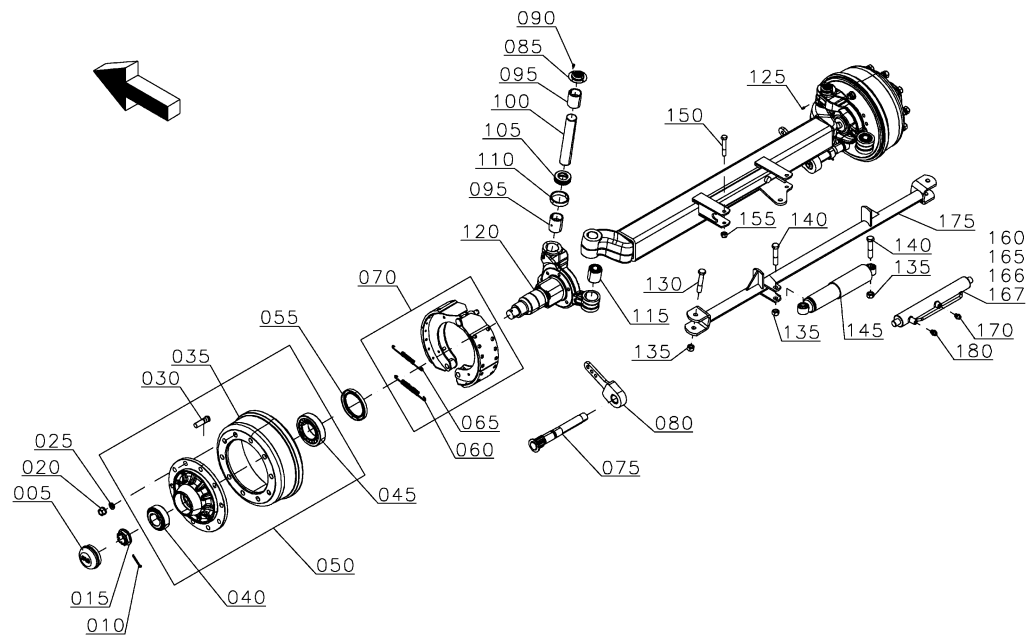
Pos.	Order No.	Pcs.	Description	Detailing	Dimension	Comment
005	44865800	4.0	wooden strip		30 x 30 x 2680	
010	74429700	1.0	axle support tot			up to YOM 2015
011	74427709	1.0	TD axle support 15t tot			since YOM 2015
015	86502117	28.0	hexagon screw ISO4017 galv		M 8 x 55	
020	86501116	56.0	washer ISO7089-A 8.4 galv			
025	86500303	28.0	hexagon nut ISO7040 galv		N M 8	
030	86502464	12.0	cheese-head screw ISO4762 galv		M 16 x 40	
035	86500758	12.0	spring washer DIN127 galv		A 16	
040	86500302	12.0	hexagon nut ISO7040 galv		N M 16	
045	86500204	2.0	hexagon nut ISO4032 galv		M 10	
050	86501106	2.0	washer ISO7089-A10.5 galv			
055	86502028	2.0	hexagon screw ISO4017 galv		M 10 x 25	
060	51529730	1.0	knife bag tot			
065	86502375	8.0	hexagon screw ISO4014 galv	ZINKLAMELLE fl zn nc L-480h	M 20 x 200	
070	41525014	2.0	clamping plate		Bl 15 x 170 x 220	
075	86501111	#	washer ISO7089-A 21 galv			
080	88001034	2.0	leaf spring 9 leaves/100x15			
085	41525709	2.0	spring bearing tot			
090	86506074	2.0	bushing / hole pattern		60,1 H9 x 65 x 60	
095	41525720	2.0	axle bolt tot			
100	86506401	2.0	lubricating nipple		M 6 x 1 H1 >GERADE<	
105	86500309	#	hexagon nut ISO7040 galv		N M 20	
110	86501124	2.0	washer ISO7089-A 31 galv			
115	86500419	2.0	crown nut DIN935-M30x1.5 galv			
120	86504235	2.0	split-pin ISO1234 galv		6,3 x 55	
125	41065003	4.0	clamping plate		Bl 15 x 170 x 210	
130	86502262	16.0	hexagon screw ISO4014 galv		M 20 x 110	
135	74410702	1.0	braking axle FAD tw1950 tot			



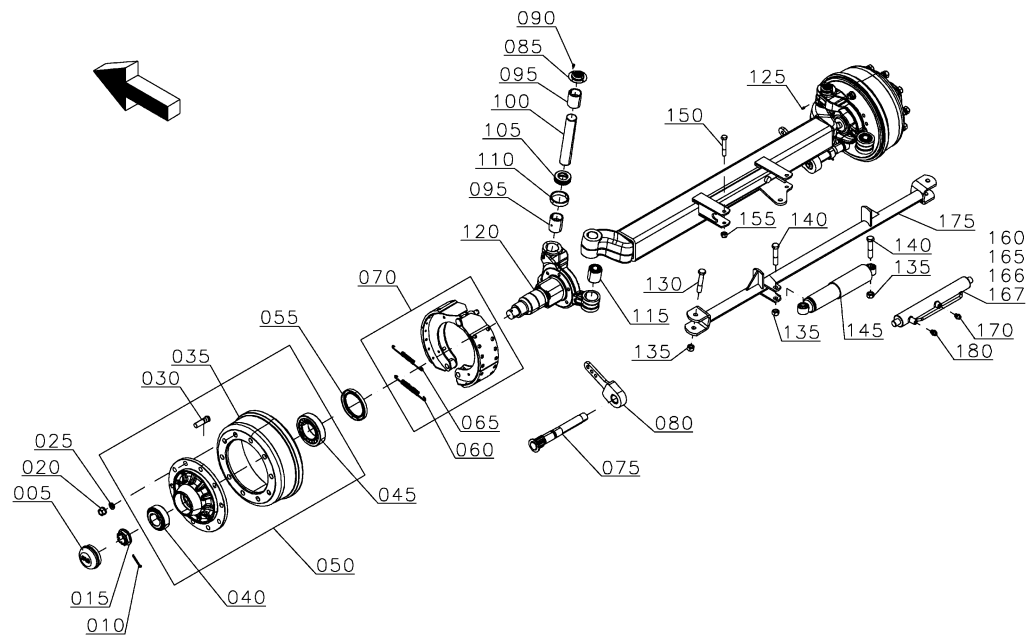
Pos.	Order No.	Pcs.	Description	Detailing	Dimension	Comment
140	74410701	1.0	steering axle FAD tw1950 tot			



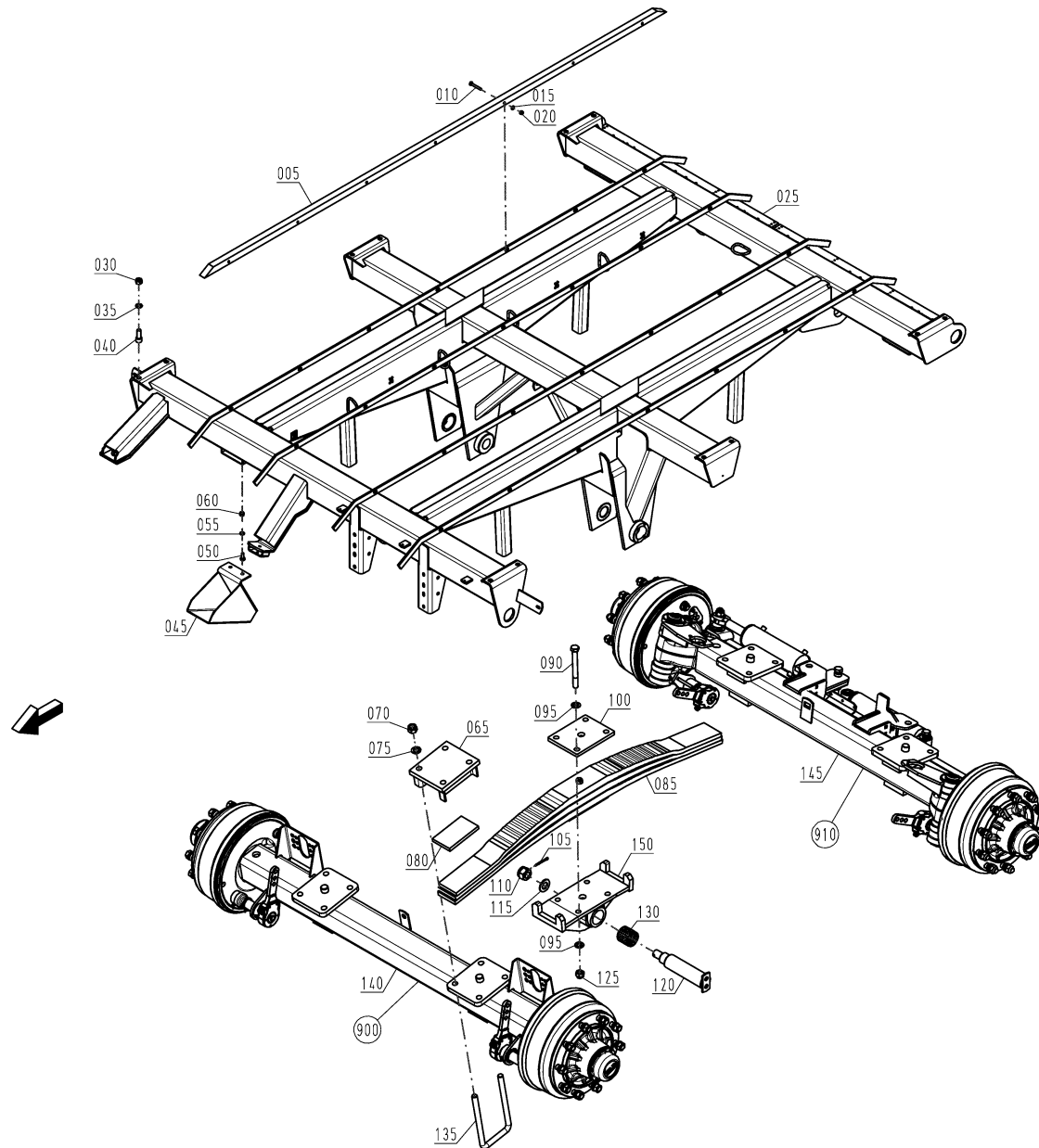
Pos.	Order No.	Pcs.	Description	Detailing	Dimension	Comment
005	87002092	2.0	hubcap DR110			
010	87002094	20.0	wheel nut w flat collar galv		M 22 x 1,5	
015	86500680	20.0	Limes-type conical spring washer galv		Dr 22,5	
020	87002093	20.0	grooved bolt M22x79			
025	87001985	2.0	split-pin ISO1234 galv		6,3 x 80	
030	87002090	2.0	crown nut M45x2			
035	87002374	2.0	brake drum / wheel hub-unit			
040	86505753	2.0	tapered roller bearing single-row		32212	
045	86505735	2.0	tapered roller bearing single-row		32216	
050	87002084	2.0	brake drum 400x80 F10			
055	87002089	2.0	sealing ring 80x140			
060	87002096	2.0	extension spring DR18,24turns DR4			
065	87002529	2.0	extension spring DR21,21turns DR4.5			
070	87002147	2.0	brake shoe w lining 400x80 cpl			
075	87002163	2.0	camshaft			
080	87002149	2.0	brake lever			



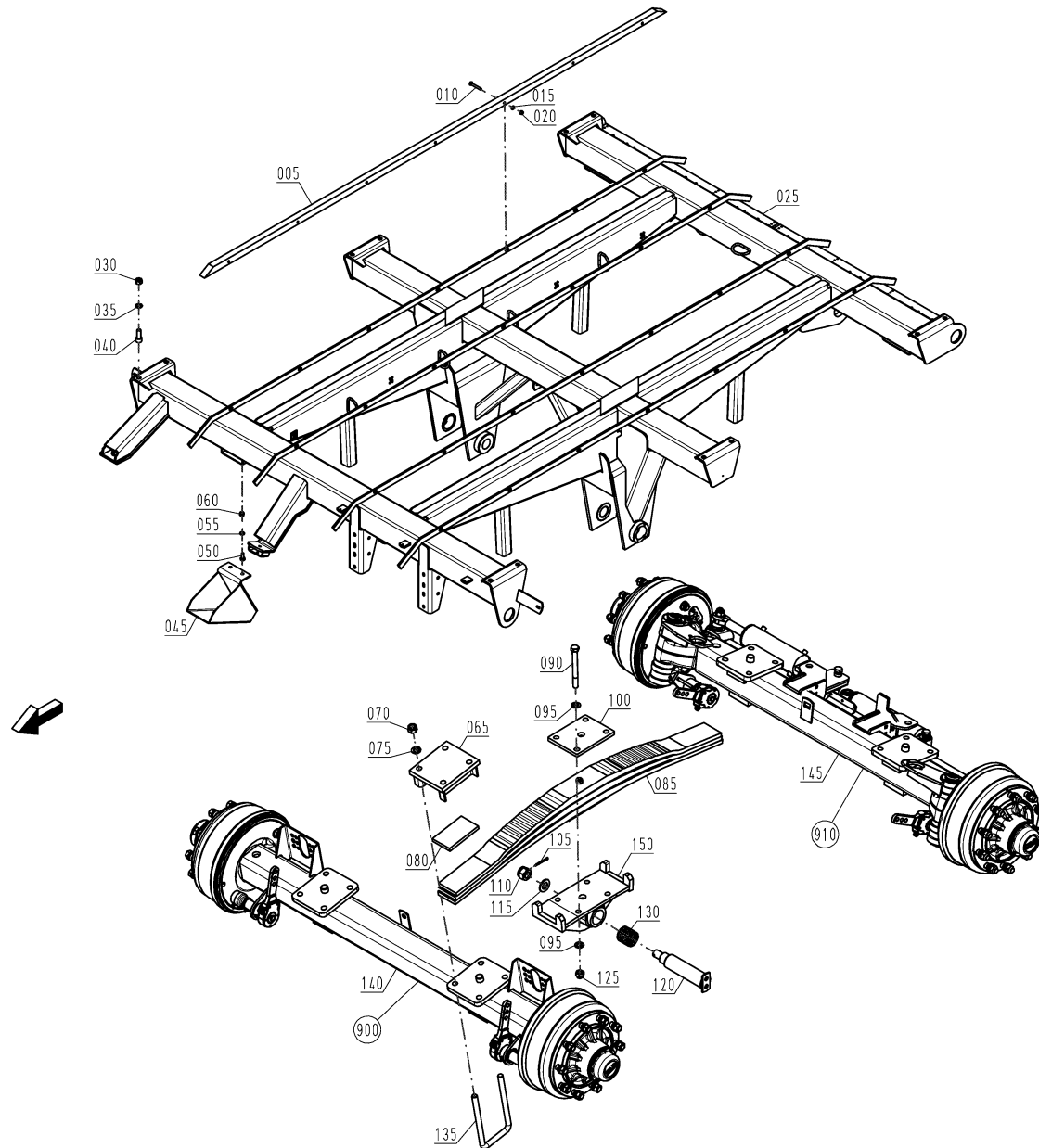
Pos.	Order No.	Pcs.	Description	Detailing	Dimension	Comment
005	87002092	2.0	hubcap DR110			
010	87001985	2.0	split-pin ISO1234 galv		6,3 x 80	
015	87002090	2.0	crown nut M45x2			
020	87002094	20.0	wheel nut w flat collar galv		M 22 x 1,5	
025	86500680	20.0	Limes-type conical spring washer galv		Dr 22,5	
030	87002093	20.0	grooved bolt M22x79			
035	87002084	2.0	brake drum 400x80 F10			
040	86505753	2.0	tapered roller bearing single-row		32212	
045	86505735	2.0	tapered roller bearing single-row		32216	
050	87002374	2.0	brake drum / wheel hub-unit			
055	87002089	2.0	sealing ring 80x140			
060	87002096	2.0	extension spring DR18,24turns DR4			
065	87002529	2.0	extension spring DR21,21turns DR4.5			
070	87002147	2.0	brake shoe w lining 400x80 cpl			
075	87002074	2.0	camshaft			
080	87002149	2.0	brake lever			
085	87002277	4.0	cap DR88			
090	86502588	16.0	cheese-head screw ISO4762 galv		M 6 x 10	
095	87002168	4.0	bushing			
100	87002178	2.0	kingpin			
105	87002165	2.0	axial deep groove ball bearing 51210			
110	87002166	4.0	sealing ring			
115	87002167	2.0	silentbloc			
120	87002215	2.0	knuckle arm w axle stub tot			
125	86506405	4.0	lubricating nipple		M 8 x 1 H1	>GERADE<
130	86502265	2.0	hexagon screw ISO4014 galv		M 20 x 120	
135	86500309	4.0	hexagon nut ISO7040 galv		N M 20	



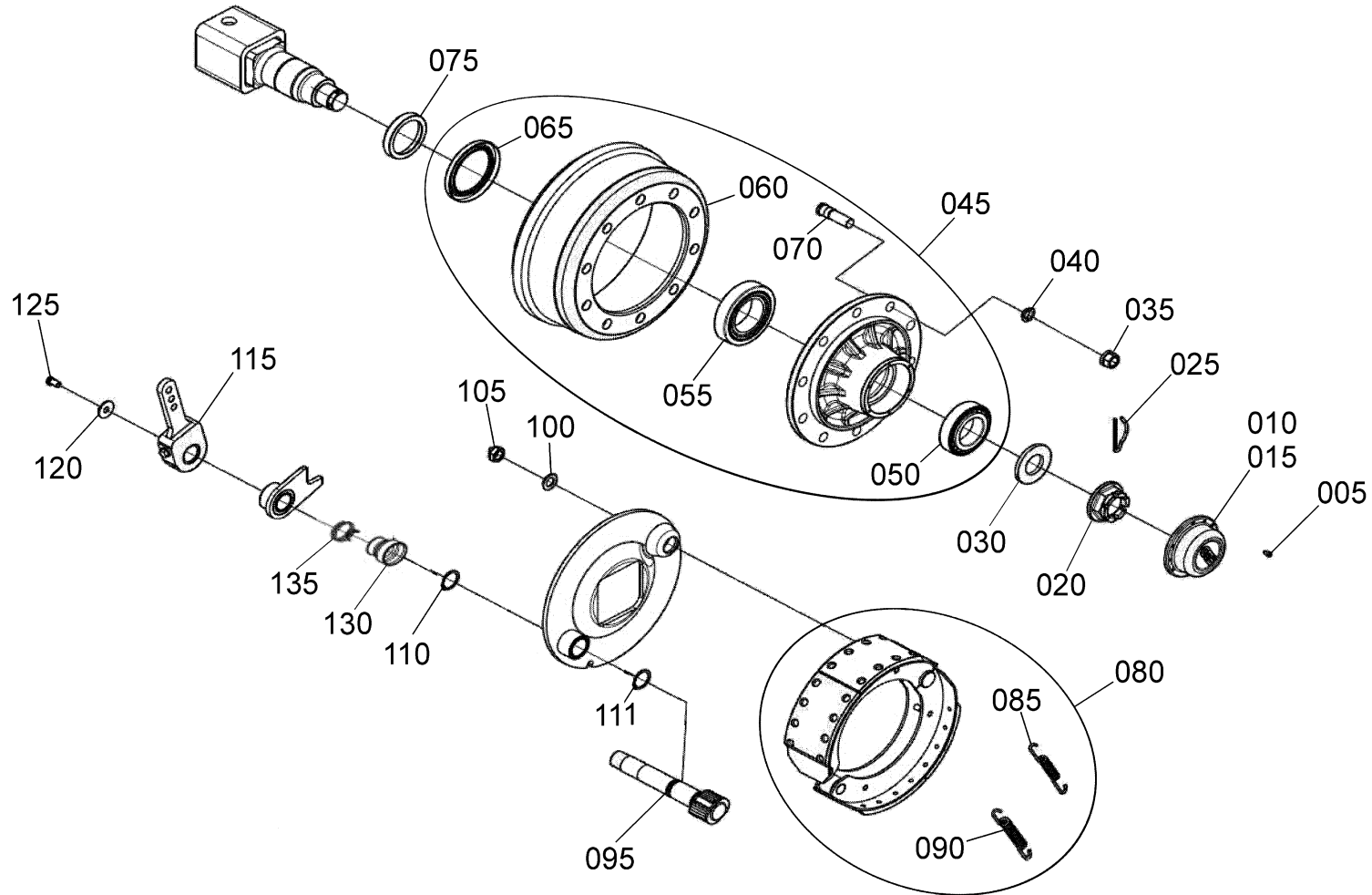
Pos.	Order No.	Pcs.	Description	Detailing	Dimension	Comment
140	86502361	2.0	hexagon screw ISO4014 galv		M 20 x 90	
145	87003625	1.0	shock absorber DR86			
150	86502109	2.0	hexagon screw ISO4014 galv		M 16 x 100	
155	86500302	2.0	hexagon nut ISO7040 galv		N M 16	
160	87002025	1.0	locking cylinder f steering axle DA			
165	87002380	1.0	seal kit f hydraulic cylinder	HYDI-Z-DW-50/30-FAD		
166	87010370	1.0	seal kit f hydraulic cylinder	HYDI-Z-DW-50/30-FAD		
167	87010374	1.0	seal kit f locking cylin DA FAD			
170	87000511	2.0	screw-in bolt straight	HYV-GE-08-L-R-3/8-ROU-CF		
175	87002214	1.0	steering rod tw1950 passive st tot	f Lenkachse HB2A1L006 (448 65 602)		
180	87004899	1.0	hydraulics-ventilator	HYV-Luefter-R-3/8		



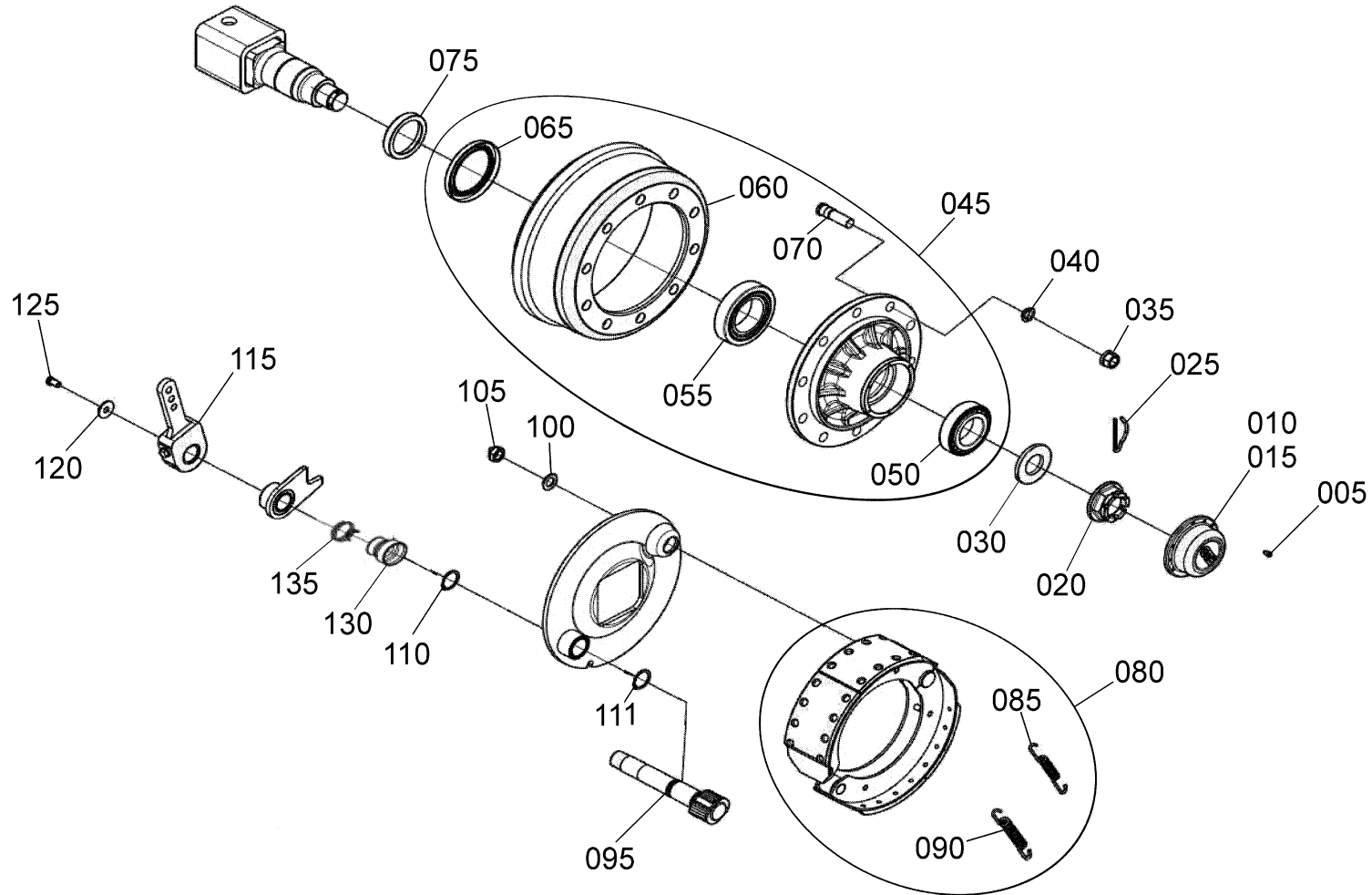
Pos.	Order No.	Pcs.	Description	Detailing	Dimension	Comment
005	44865800	4.0	wooden strip		30 x 30 x 2680	
010	86503022	28.0	round-head screw DIN603 galv		M 8 x 50	
015	86501105	28.0	washer ISO7093 galv		A 8,4	
020	86500303	28.0	hexagon nut ISO7040 galv		N M 8	
025	71629714	1.0	TD axle support 16t tot			
030	86500302	12.0	hexagon nut ISO7040 galv		N M 16	
035	86500758	12.0	spring washer DIN127 galv		A 16	
040	86502464	12.0	cheese-head screw ISO4762 galv		M 16 x 40	
045	51529730	1.0	knife bag tot			
050	86502028	2.0	hexagon screw ISO4017 galv		M 10 x 25	
055	86501106	2.0	washer ISO7089-A10.5 galv			
060	86500304	2.0	hexagon nut ISO7040 galv		N M 10	
065	30414726	4.0	support plate tot			
070	86500503	16.0	hexagon nut ISO7040 galv		N M 22	
075	86501151	16.0	washer ISO7089-A 23 galv			
080	51529505	4.0	rubber mat black		14 x 100 x 170 / 70 Shore	
085	50227502	2.0	parabolic spring			
090	86502375	8.0	hexagon screw ISO4014 galv	ZINKLAMELLE fl zn nc L-480h	M 20 x 200	
095	86501151	16.0	washer ISO7089-A 23 galv			
100	41525014	2.0	clamping plate		BI 15 x 170 x 220	
105	86504235	2.0	split-pin ISO1234 galv		6,3 x 55	
110	86500419	2.0	crown nut DIN935-M30x1.5 galv			
115	86501124	2.0	washer ISO7089-A 31 galv			
120	41525720	2.0	axle bolt tot			
125	86500309	8.0	hexagon nut ISO7040 galv		N M 20	
130	86506074	2.0	bushing / hole pattern		60,1 H9 x 65 x 60	
135	51529501	8.0	spring clamp			
140	71633701	#	braking axle FAD Bogie tot			
145	71633700	1.0	steering axle FAD bogie tot			



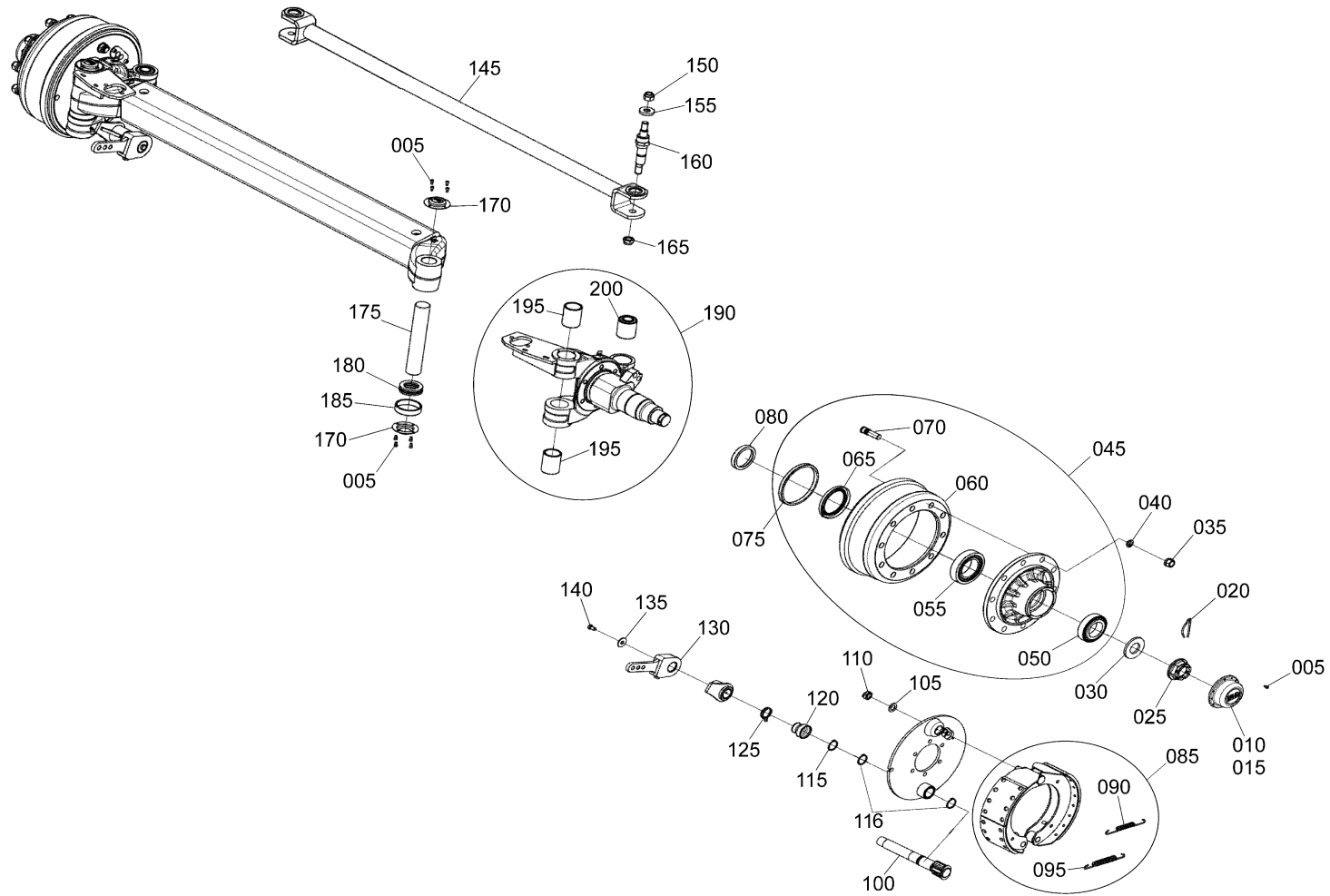
Pos.	Order No.	Pcs.	Description	Detailing	Dimension	Comment
150	51529722	2.0	spring bearing tot			



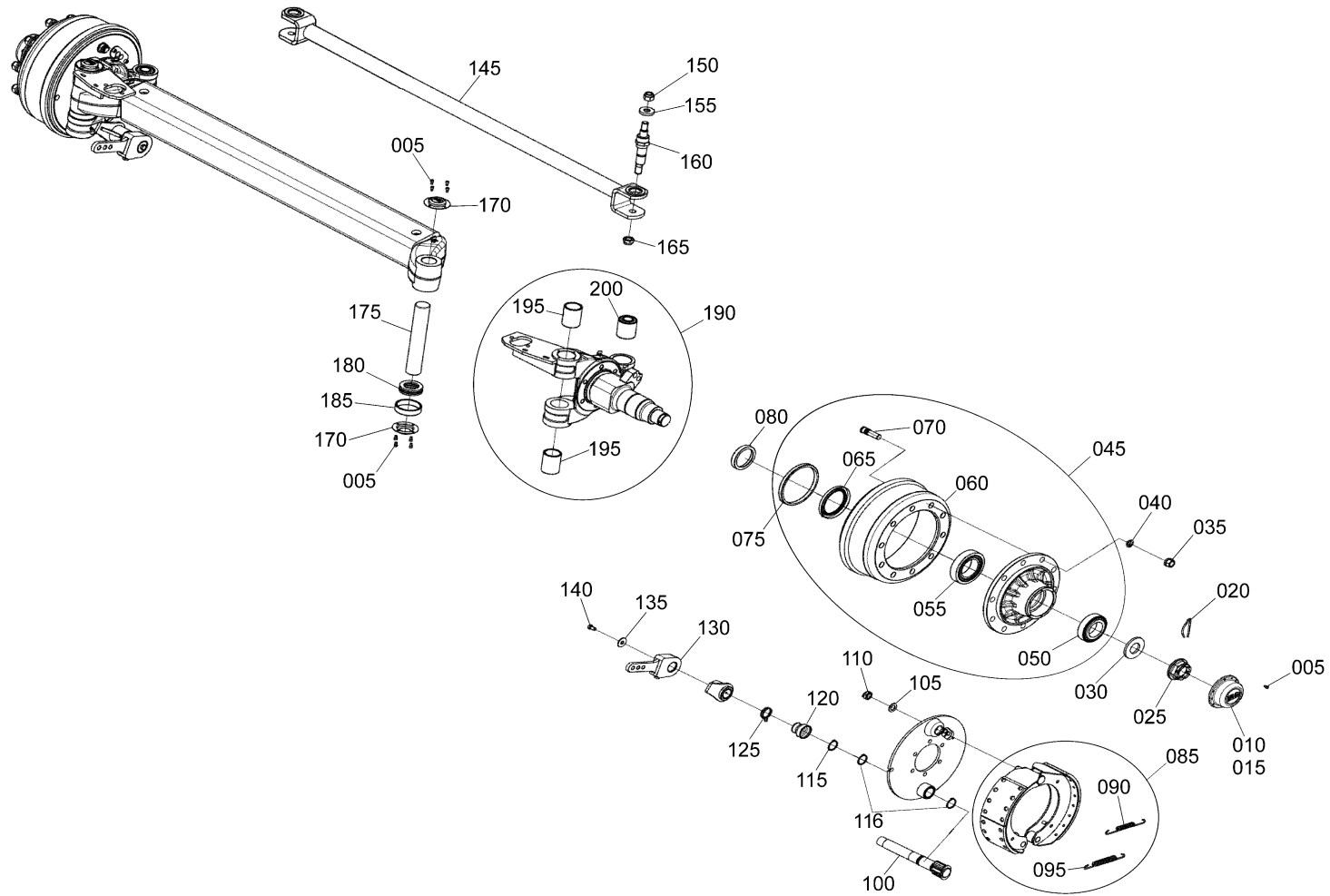
Pos.	Order No.	Pcs.	Description	Detailing	Dimension	Comment
005	86502588	12.0	cheese-head screw ISO4762 galv		M 6 x 10	
010	87002453	2.0	hubcap dr148 F6			
015	87002460	2.0	sealing ring f grease cap DR148			
020	87002090	2.0	crown nut M45x2			
025	87001985	2.0	split-pin ISO1234 galv		6,3 x 80	
030	87002034	2.0	washer 45x85x7			
035	87002094	20.0	wheel nut w flat collar galv		M 22 x 1,5	
040	86500680	20.0	Limes-type conical spring washer galv		Dr 22,5	
045	86500505	2.0	brake drum-wheel hub-assembly			
050	86505501	2.0	tapered roller bearing 33213			
055	86505100	2.0	tapered roller bearing			
060	87002457	2.0	brake drum 400x120 F10			
065	86505426	2.0	radial shaft seal		160 x 120 x 13	
070	87002093	20.0	grooved bolt M22x79			
075	87002030	2.0	shoulder ring			
080	87002455	2.0	brake shoe w lining 400x120			
085	87002522	2.0	extension spring DR21,24turns DR4.5			
090	87002523	2.0	extension spring DR18,24turns DR4			
095	87001338	2.0	camshaft			
100	86501151	2.0	washer ISO7089-A 23 galv			
105	86500400	2.0	crown nut galv		M 22x1,5	
110	86504570	2.0	circlip DIN471-AS42x1.75			
111	87040045	2.0	lock ring			
115	87002099	2.0	brake lever			
120	86501144	2.0	washer ISO7093 galv		A 15	
125	86502089	2.0	hexagon screw ISO4017 galv		M 12 x 20	
130	87003960	2.0	bushing			



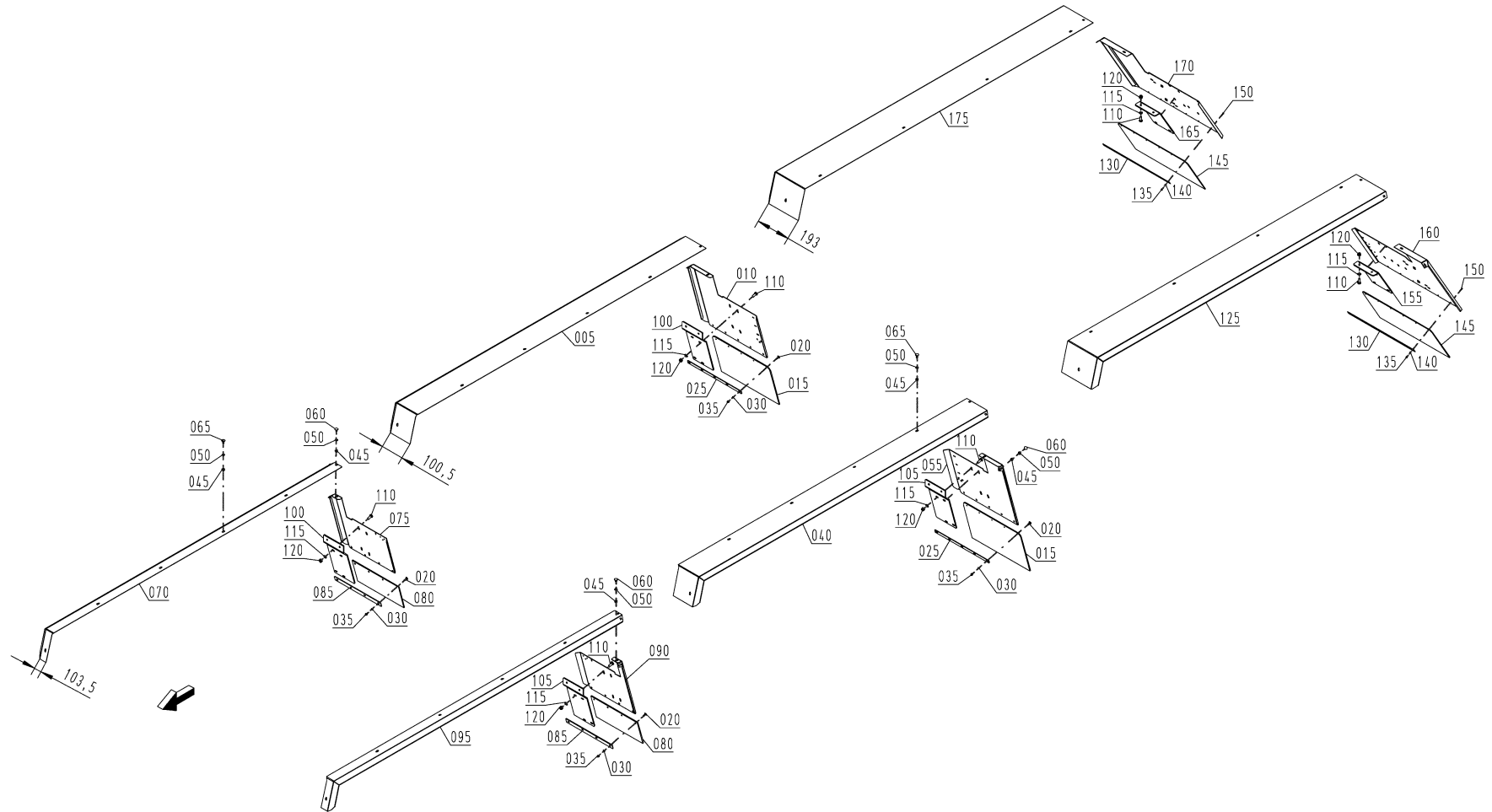
Pos.	Order No.	Pcs.	Description	Detailing	Dimension	Comment
135	87003961	2.0	spring			



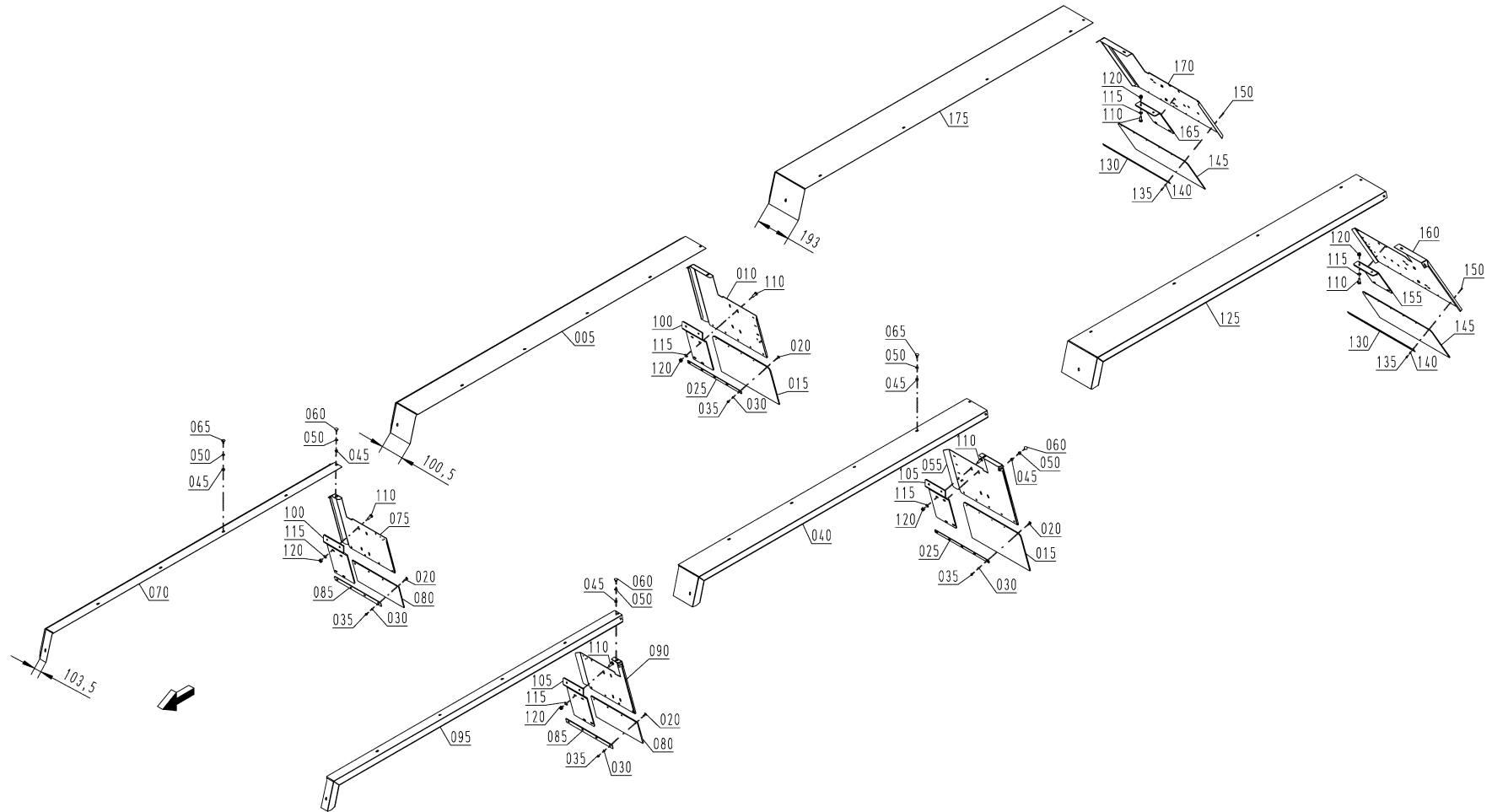
Pos.	Order No.	Pcs.	Description	Detailing	Dimension	Comment
005	86502588	12.0	cheese-head screw ISO4762 galv		M 6 x 10	
010	87002453	2.0	hubcap dr148 F6			
015	87002460	2.0	sealing ring f grease cap DR148			
020	87001985	2.0	split-pin ISO1234 galv		6,3 x 80	
025	87002090	2.0	crown nut M45x2			
030	87002034	2.0	washer 45x85x7			
035	87002094	20.0	wheel nut w flat collar galv		M 22 x 1,5	
040	86500680	20.0	Limes-type conical spring washer galv		Dr 22,5	
045	87001309	2.0	brake drum-wheel hub-assembly			
050	86505501	2.0	tapered roller bearing 33213			
055	86505100	2.0	tapered roller bearing			
060	87002457	2.0	brake drum 400x120 F10			
065	86505426	2.0	radial shaft seal		160 x 120 x 13	
070	87002093	20.0	grooved bolt M22x79			
075	31114503	2.0	magnet wheel		D 176 x 194 x 15	
080	87002030	2.0	shoulder ring			
085	87002455	2.0	brake shoe w lining 400x120			
090	87002523	2.0	extension spring DR18,24turns DR4			
095	87002522	2.0	extension spring DR21,24turns DR4.5			
100	87001314	2.0	camshaft			
105	86501151	2.0	washer ISO7089-A 23 galv			
110	86500400	2.0	crown nut galv		M 22x1,5	
115	86504570	2.0	circlip DIN471-AS42x1.75			
116	87040045	4.0	lock ring			
120	87003960	2.0	bushing			
125	87003961	2.0	spring			
130	87002099	2.0	brake lever			
135	86501144	2.0	washer ISO7093 galv		A 15	



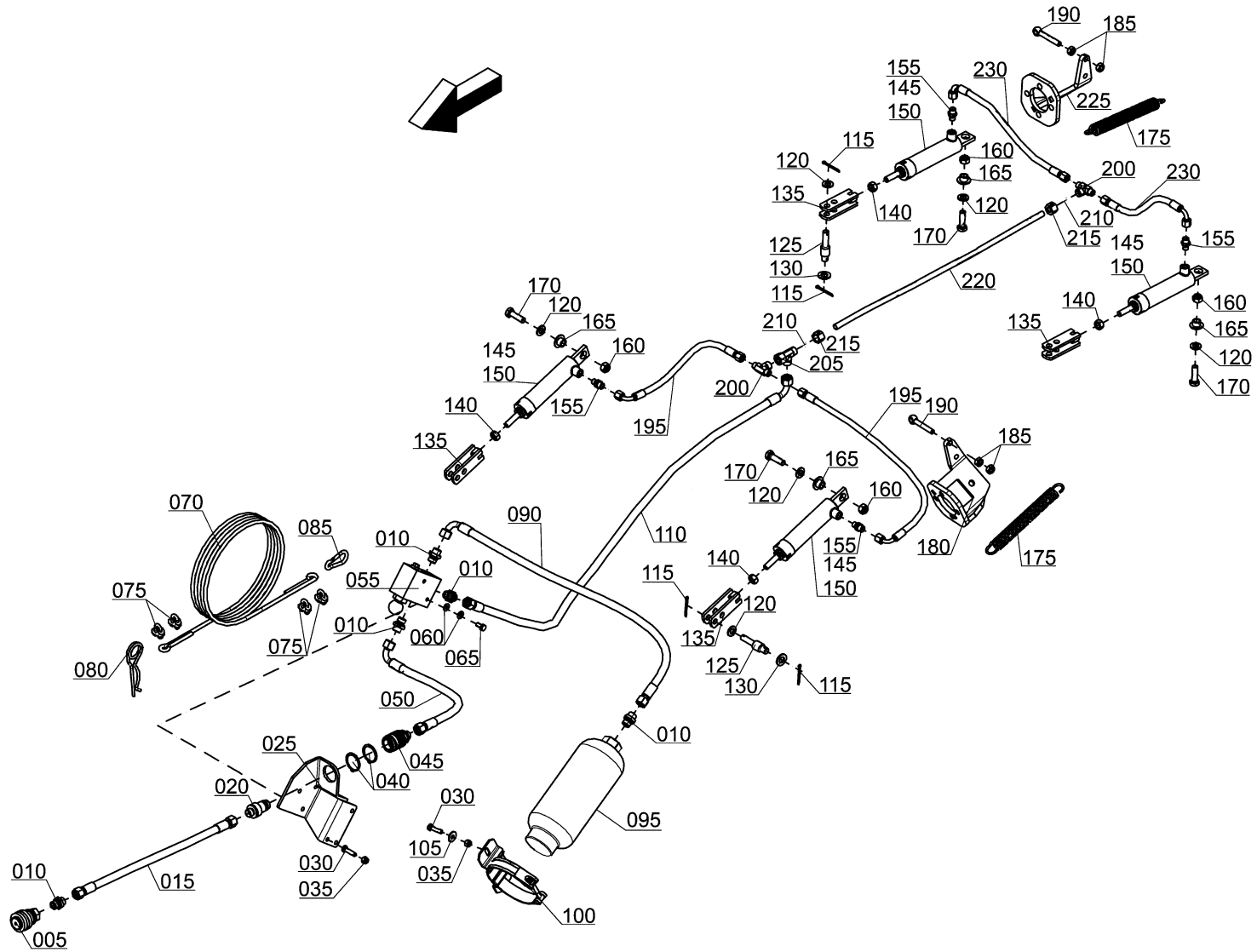
Pos.	Order No.	Pcs.	Description	Detailing	Dimension	Comment
140	86502089	2.0	hexagon screw ISO4017 galv		M 12 x 20	
145	87003962	1.0	steering rod			
150	86500315	2.0	hexagon nut ISO10512 galv		N M 20 x 1,5	
155	87004118	2.0	clamping element galv			
160	73233506	2.0	eccentric bolt			
165	86500329	2.0	hexagon nut ISO10512 galv		N M 22 x 1,5	
170	87002277	4.0	cap DR88			
175	87002178	2.0	kingpin			
180	87002165	2.0	axial deep groove ball bearing 51210			
185	87002166	2.0	sealing ring			
190	87001104	2.0	knuckle arm w axle stub			
195	87002168	4.0	bushing			
200	87002088	2.0	silentbloc			



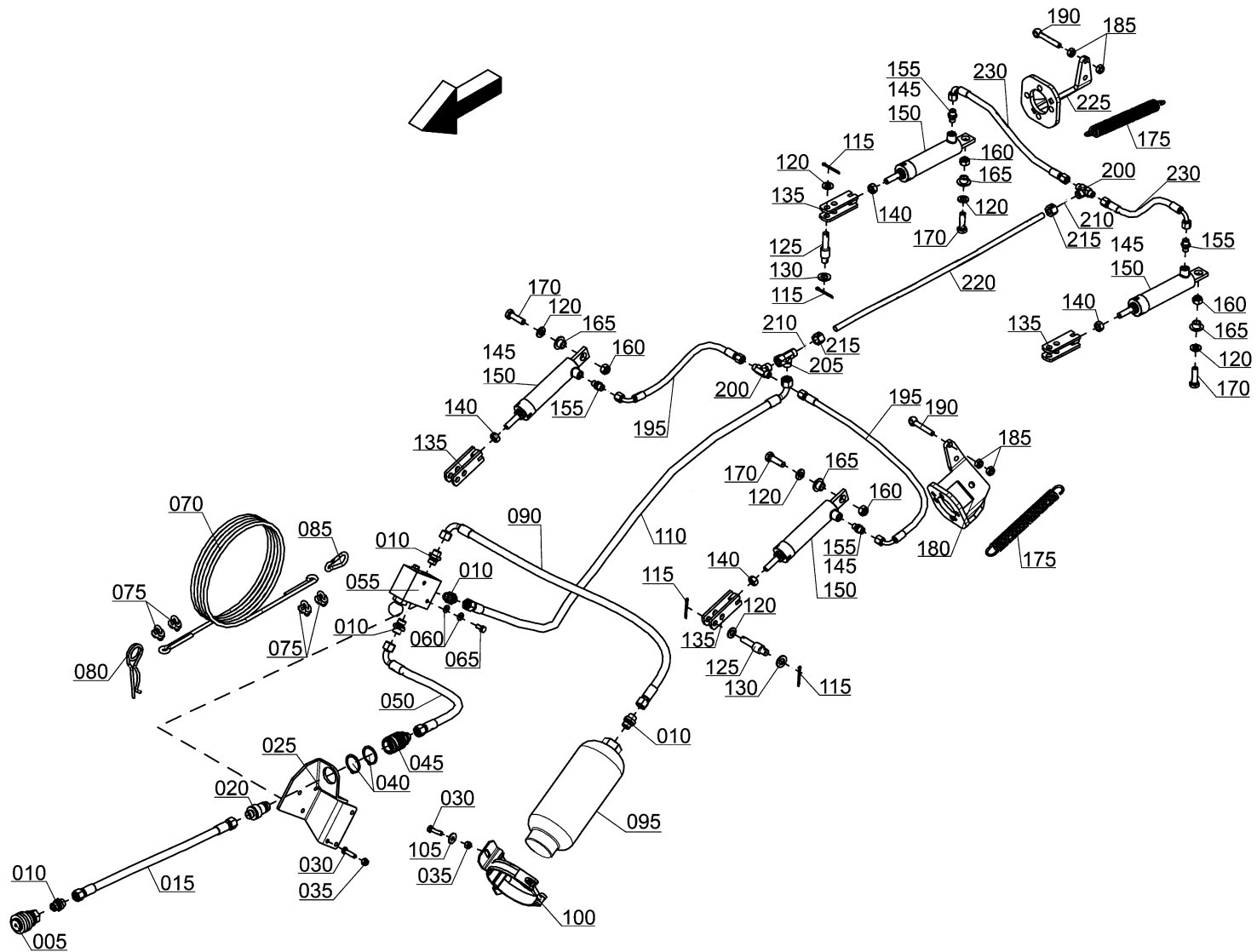
Pos.	Order No.	Pcs.	Description	Detailing	Dimension	Comment
005	74429201	1.0	wing top ri		BI 2 x 211,5 x 2492,9	/ chassis 15t,chassis 15t with passive steering
010	74429203	1.0	wing re ri		BI 2 x 529,2 x 545	/ chassis 15t,chassis 15t with passive steering
015	89005742	2.0	mud flap rubber printed 450x300			/ chassis 15t,chassis 15t with passive steering
020	86503020	#	round-head screw DIN603 galv		M 6 x 20	
025	74429204	2.0	reinforcing strip f splash guard 450		BI 3 x 20 x 430	/ chassis 15t,chassis 15t with passive steering
030	86501115	#	washer ISO7089-A 6.4 galv			
035	86500504	#	hexagon cap nut galv		M 6	
040	74429200	1.0	wing top le		BI 2 x 211,5 x 2492,9	/ chassis 15t,chassis 15t with passive steering
045	86500323	#	hexagon nut ISO10511 galv		N M 8	
050	86501116	#	washer ISO7089-A 8.4 galv			
055	74429202	1.0	wing re le		BI 2 x 529,2 x 545	/ chassis 15t,chassis 15t with passive steering
060	86502806	#	round-head screw DIN603 galv		M 8 x 15	
065	86503004	#	round-head screw DIN603 galv		M 8 x 20	
070	74427201	1.0	wing top ri		BI 2 x 106,5 x 2492,9	/ chassis 12t
075	74427203	1.0	wing re ri		BI 2 x 413,7 x 469,2	/ chassis 12t
080	41568500	2.0	mud flap		6 x 170 x 370	/ chassis 12t
085	41568003	2.0	clamping strip		BI 6 x 30 x 370	/ chassis 12t
090	74427202	1.0	wing re le		BI 2 x 413,7 x 469,2	/ chassis 12t
095	74427200	1.0	wing top le		BI 2 x 106,5 x 2492,9	/ chassis 12t
100	74427212	1.0	wing support ri		BI 5 x 160 x 322,4	
105	74427211	1.0	wing support le		BI 5 x 160 x 322,4	
110	86502028	4.0	hexagon screw ISO4017 galv		M 10 x 25	
115	86501106	4.0	washer ISO7089-A10.5 galv			
120	86500304	4.0	hexagon nut ISO7040 galv		N M 10	
125	71629201	1.0	wing le		BI 2 x 291 x 2499,9	/ chassis 18t
130	89005599	2.0	reinforcing strip f splash guard 550			/ chassis 18t
135	86500566	12.0	cap nut galv		M 5	/ chassis 18t
140	86501101	24.0	washer ISO7089-A galv		5,3	/ chassis 18t
145	89005598	2.0	mud flap rubber 550x300			/ chassis 18t



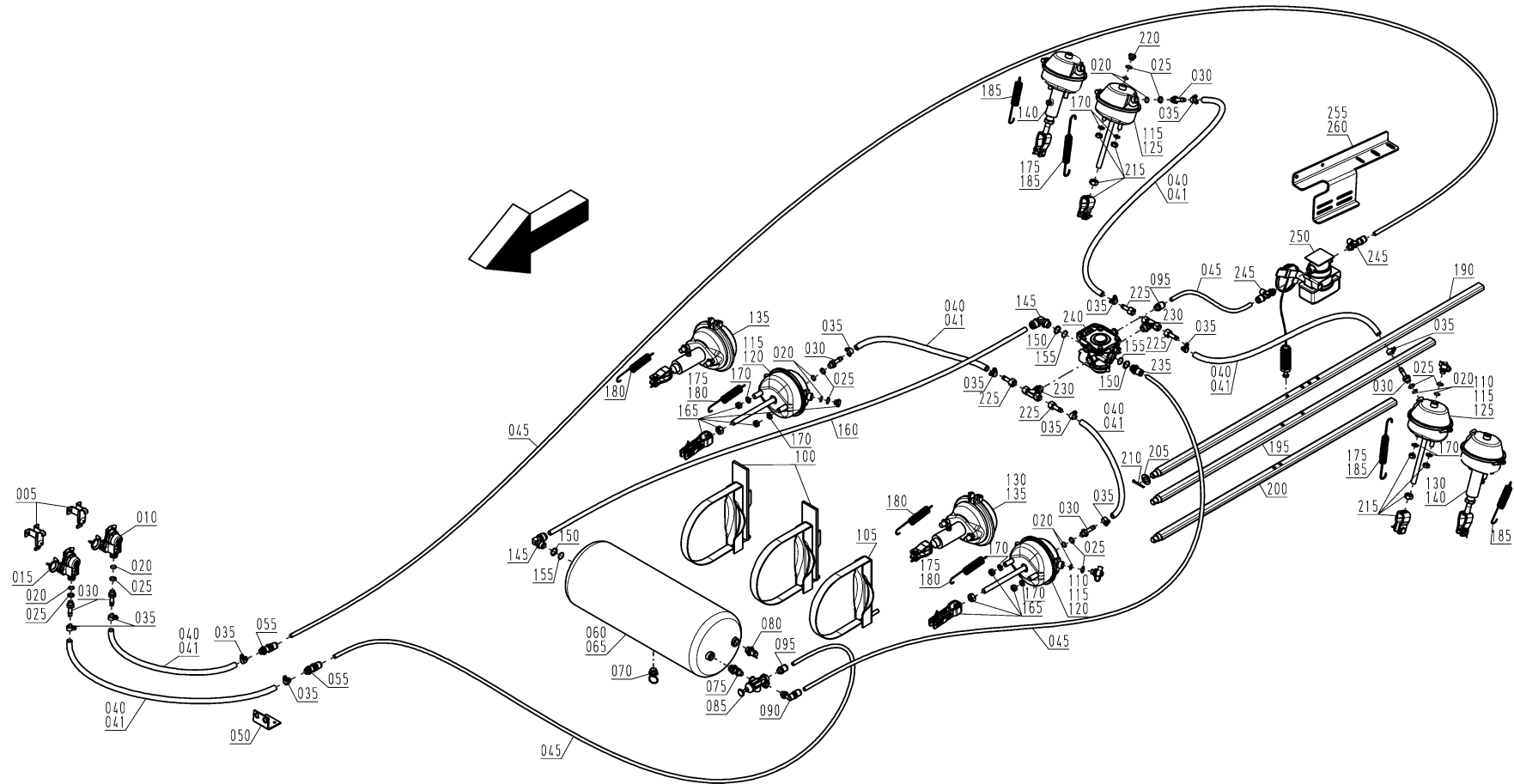
Pos.	Order No.	Pcs.	Description	Detailing	Dimension	Comment
150	86502003	12.0	hexagon screw ISO4017 galv		M 5 x 16	/ chassis 18t
155	71629220	1.0	mounting sheet le		Bl 5 x 160 x 271,3	/ chassis 18t
160	72833202	1.0	wing re le		Bl 2 x 600,5 x 737,6	/ chassis 18t
165	71629221	1.0	mounting sheet ri		Bl 5 x 160 x 271,3	/ chassis 18t
170	72833203	1.0	wing re ri		Bl 2 x 600,5 x 737,6	/ chassis 18t
175	71629202	1.0	wing ri		Bl 2 x 291 x 2499,9	/ chassis 18t



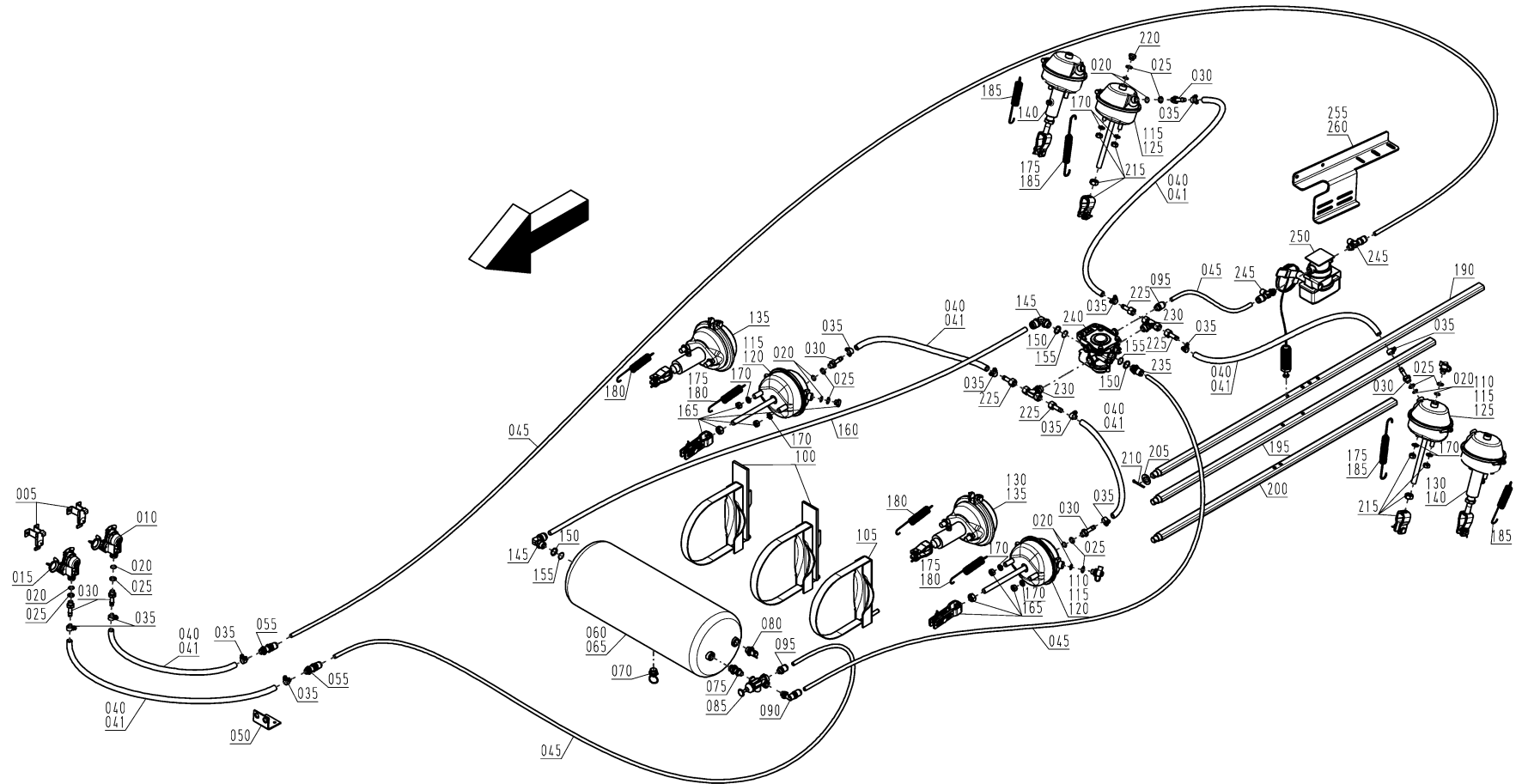
Pos.	Order No.	Pcs.	Description	Detailing	Dimension	Comment
005	87000422	1.0	coupling box IG M18x1.5			
010	87000458	5.0	screw-in bolt straight	HYV-GE-12-L-M-18x1.5-ROU-CF		
015	87001072	1.0	hydraulic hose	HYS-1SN-10x2300-AO12L-AO12L		
020	87000411	1.0	plug-in coupling connector	HYKU-SKS-H-12L-GR3-CF		
025	41064700	1.0	valve holder tot			
030	86502016	5.0	hexagon screw ISO4017 galv		M 8 x 30	
035	86500303	5.0	hexagon nut ISO7040 galv		N M 8	
040	86504567	2.0	circlip DIN471-A38x1.75			
045	87000407	1.0	plug-in coupling sleeve	HYKU-SKM-H-12L-GR3-CF		
050	87000822	1.0	hydraulic hose	HYS-1SN-10x400-AO12L-AO12L90		
055	10015502	1.0	emergency brake valve mech			
060	86501116	4.0	washer ISO7089-A 8.4 galv			
065	86502013	2.0	hexagon screw ISO4017 galv		M 8 x 16	
070	87006018	1.0	rope PP		Dr 8 / Meterware	
075	87003443	4.0	wire-rope clip f rope DR6			
080	86504405	1.0	clip connector 6.3 DIN11024 galv double		DR 6,3	
085	86507151	1.0	snap hook galv		Nr. 245 / 70 x 7 mm	
090	87000845	1.0	hydraulic hose	HYS-1SN-10x1000-AO12L-AO12L90		
095	87008807	1.0	hydraulic accumulator	HYSPE-ME-1.65-210-40		
100	87008806	1.0	joint bushing console HY-ROS			
105	86501105	2.0	washer ISO7093 galv		A 8,4	
110	87009845	1.0	hydraulic hose	HYS-1SN-10x6900-AO12L-AO12L90		
115	86504203	#	split-pin ISO1234 galv		4 x 40	
120	86501108	#	washer ISO7089-A 13 galv			
125	41564100	#	brake lever bolt galv		Rd 20 x 78	
130	86501107	2.0	washer ISO7089-A 15 galv			



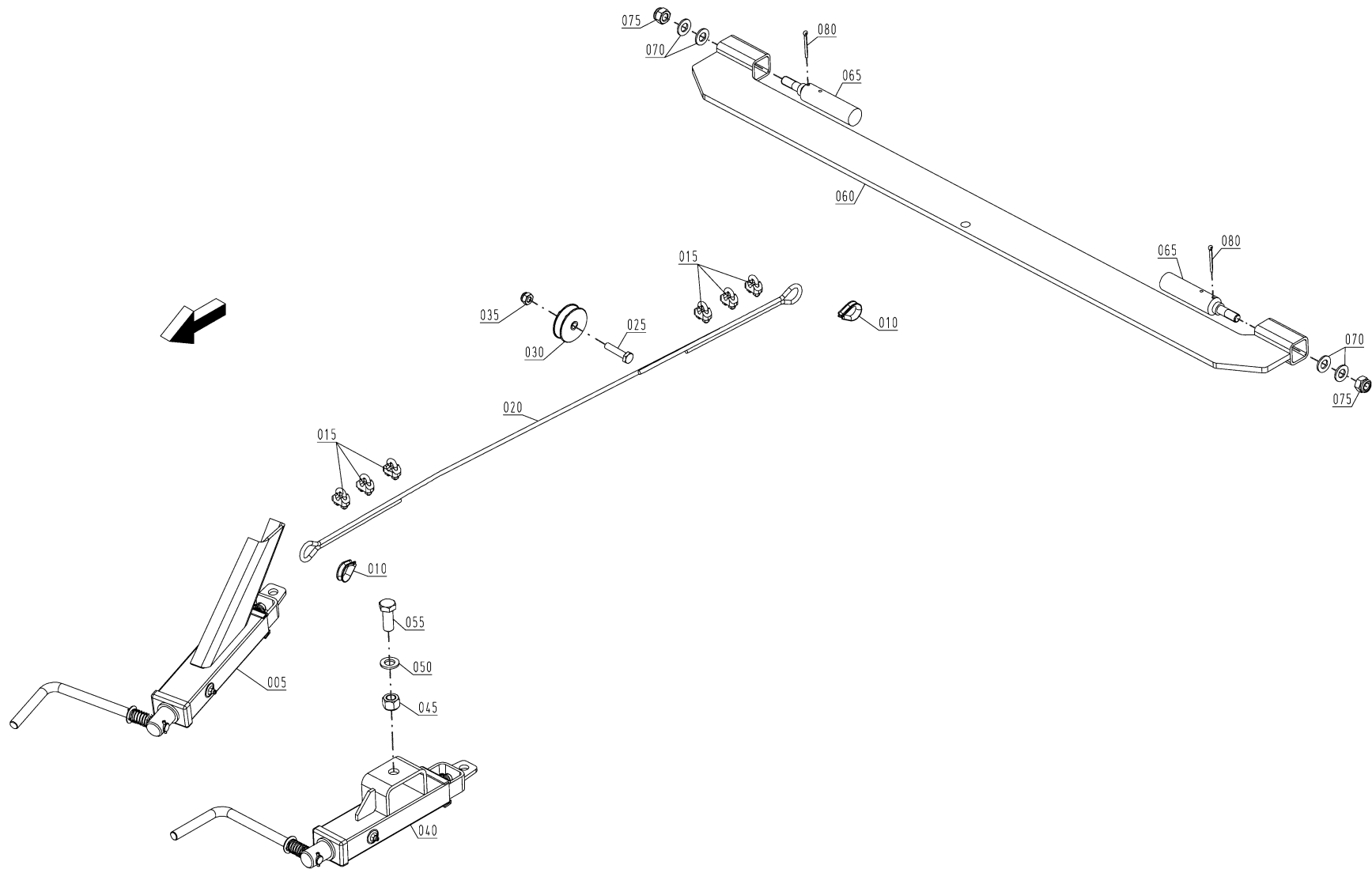
Pos.	Order No.	Pcs.	Description	Detailing	Dimension	Comment
135	41564702	4.0	fork tot			
140	86500205	4.0	hexagon nut ISO4032 galv		M 12	
145	41564501	#	brake cylinder DR25			
150	87001408	1.0	seal kit f hydraulic cylinder	HYDI-Z-EW-25-SHW		
155	87000459	4.0	screw-in bolt straight	HYV-GE-08-L-M-12x1.5-ROU-CF		
160	86500301	4.0	hexagon nut ISO7040 galv		N M 12	
165	24303101	4.0	button f loop galv		Rd 30 h9 x 15	
170	86502043	4.0	hexagon screw ISO4017 galv		M 12 x 40	
175	47614502	2.0	extension spring galv		DR 4 x DR 23 x 230	
180	50464700	1.0	cylinder holder le tot			
185	86500204	4.0	hexagon nut ISO4032 galv		M 10	
190	86503424	2.0	eyebolt galv		LBM 10 x 70	
195	87000926	2.0	hydraulic hose	HYS-1SN-06x800-AO08L-AO08L90		
200	87000520	2.0	tee reducing coupling	HYV-TR-08/12/08-L-ROU-CF		
205	87000469	1.0	L-shaped standpipe fitting	HYV-EVL-12-L-ROU-CF		
210	87000588	2.0	progressive stop ring	HYV-PSR-12-L/S-CF		
215	87000561	2.0	union nut	HYV-M-12-L-CF		
220	86810047	#	precision steel tube seamless white galv		Ro 12 x 1,5 /HL 6000	
225	50464701	1.0	cylinder holder ri tot			
230	87000859	2.0	hydraulic hose	HYS-1SN-06x3900-AO08L-AO08L90		



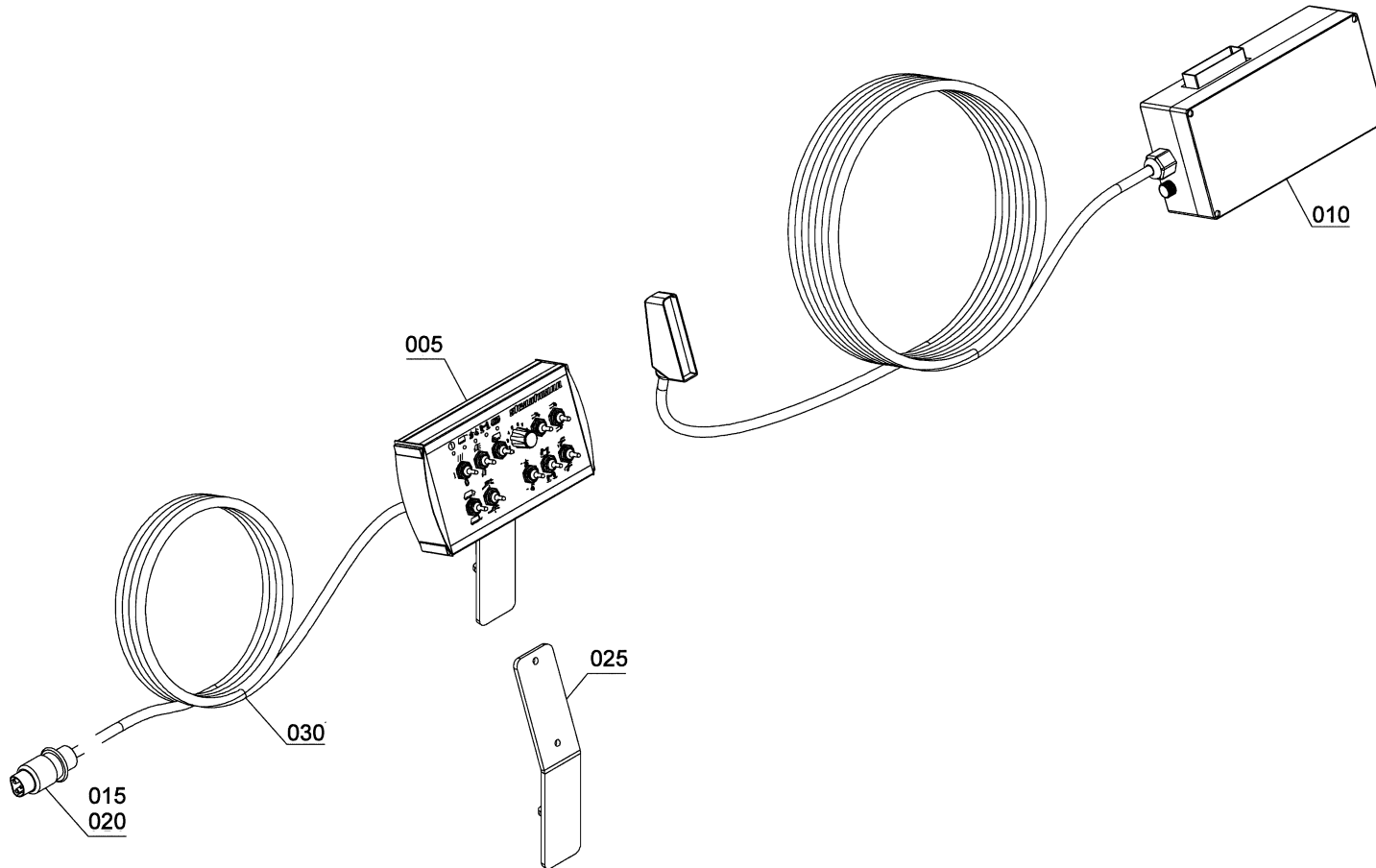
Pos.	Order No.	Pcs.	Description	Detailing	Dimension	Comment
005	88002105	2.0	dummy coupling			
010	88002103	1.0	hose coupling brake w filter M16			
015	88002104	1.0	hose coupling w filter M16			
020	88001643	#	O-ring 16x155			
025	88001644	#	thrust ring M16x1.5			
030	88001685	6.0	hose nipple f hose 11x3.5			
035	88001650	12.0	hose clip		S18/12 W1 SZ 1-tlg	
040	88001672	#	brake hose S11		40m Rolle	up to YOM 2014
041	88001615	#	brake hose wrapped		11x3,5	since YOM 2014
045	88001669	#	plastic tube R12x1,5		DR 12 x 1,5	
050	50465001	1.0	holder galv		Bl 4 x 70 x 105	
055	88002107	2.0	straight bulkhead fitting S11 K12			
060	88001518	1.0	compressed air tank 30l DR246x700			/ chassis 12t
065	88001688	1.0	compressed-air reservoir 40l DR246x915			/ chassis 15t,chassis 15t with passive steering,chassis 18t
070	88001520	1.0	drain valve M22x1.5 type B			
075	88002152	1.0	through bulkhead fitting straight			
080	88001627	1.0	banjo bolt w test connection M22x1.5			
085	88002111	1.0	release valve pre-assembled M16			
090	88002190	1.0	threaded elbow joint M16 K12			
095	88002189	2.0	threaded elbow joint M16 K12			
100	41567702	2.0	container holder tot			/ chassis 12t
105	88001519	2.0	tensioning strap w console DR246			/ chassis 15t,chassis 15t with passive steering,chassis 18t
110	88001662	2.0	diaphragm cylinder type24			/ chassis 12t
115	88001689	4.0	diaphragm cylinder type12			/ chassis 15t,chassis 15t with passive steering
120	88001540	2.0	diaphragm cylinder type16			/ chassis 18t
125	88001544	2.0	diaphragm cylinder type20			/ chassis 18t
130	87010508	2.0	brake cylinder kombi 24/35			/ chassis 12t
135	87010500	2.0	brake cylinder kombi 16/25			/ chassis 15t,chassis 15t with passive steering,chassis 18t



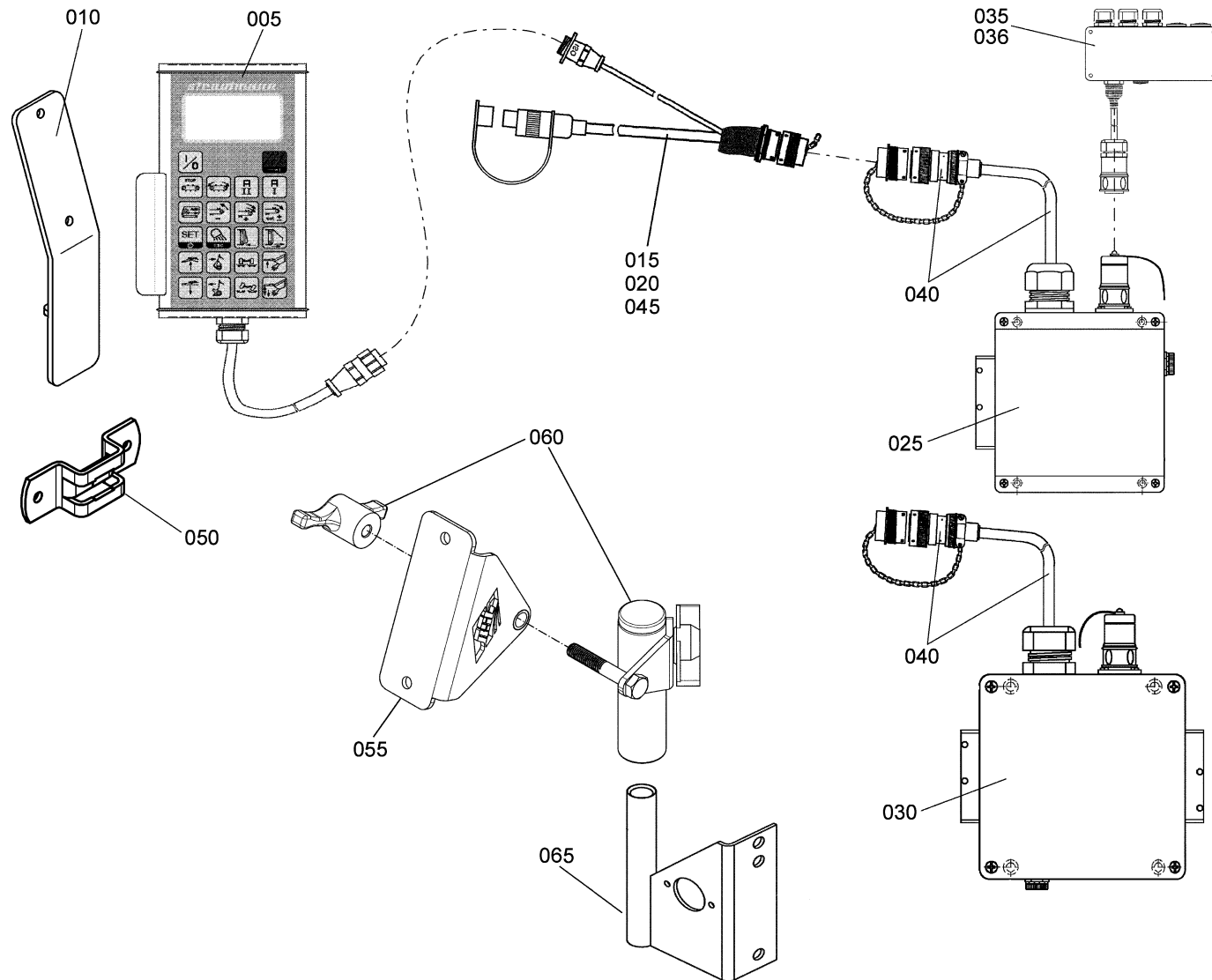
Pos.	Order No.	Pcs.	Description	Detailing	Dimension	Comment
140	87010503	2.0	brake cylinder kombi 24/30	DLZ-KB-Typ24-D30		/ chassis 15t,chassis 15t with passive steering,chassis 18t
145	88002518	1.0	angle screw-in plug connector			
150	88001505	6.0	thrust ring M22x1.5			
155	88001506	6.0	O-ring 22x1.5			
160	88001605	1.0	plastic tube R15x1,5		DR 15 x 1,5	
165	88002135	2.0	accessories kit oblong hole perf fork			
170	86500755	#	spring washer DIN127 galv		A 12	
175	88002082	#	return spring sho 148x26x2.8			/ chassis 12t,chassis 15t,chassis 15t with passive steering
180	87001801	2.0	extension spring			/ chassis 18t
185	41567500	2.0	return spring f brake compensator			/ chassis 18t
190	31062701	1.0	actuating rod tot			/ chassis 15t,chassis 15t with passive steering,chassis 18t
195	50465700	1.0	actuating rod tot			/ chassis 12t,chassis 15t,chassis 15t with passive steering,chassis 18t
200	44861701	1.0	actuating rod tot			/ chassis 12t
205	86501111	1.0	washer ISO7089-A 21 galv			
210	86504201	1.0	split-pin ISO1234 galv		5 x 40	
215	88002157	#	accessories kit fork head			
220	88002057	#	screwed plug M16x1.5			
225	88001630	4.0	hose nipple galv			/ chassis 15t,chassis 15t with passive steering,chassis 18t
230	88002151	2.0	T-shaped screwed coupling M22x1.5			
235	88002502	1.0	straight screw-in plug connector			
240	88002109	1.0	trailer brake valve pre-assembled			
245	88002191	2.0	T-shaped screwed coupling w test con	DLV-LEE-RST-16x1,5-12/12		
250	88002121	1.0	ALB regulator mech M16 pre-assembled			
255	71667200	1.0	valve holder		BI 5 x 256,1 x 441	/ chassis 18t
260	41066202	1.0	valve holder		BI 5 x 303 x 441	/ chassis 12t,chassis 15t,chassis 15t with passive steering



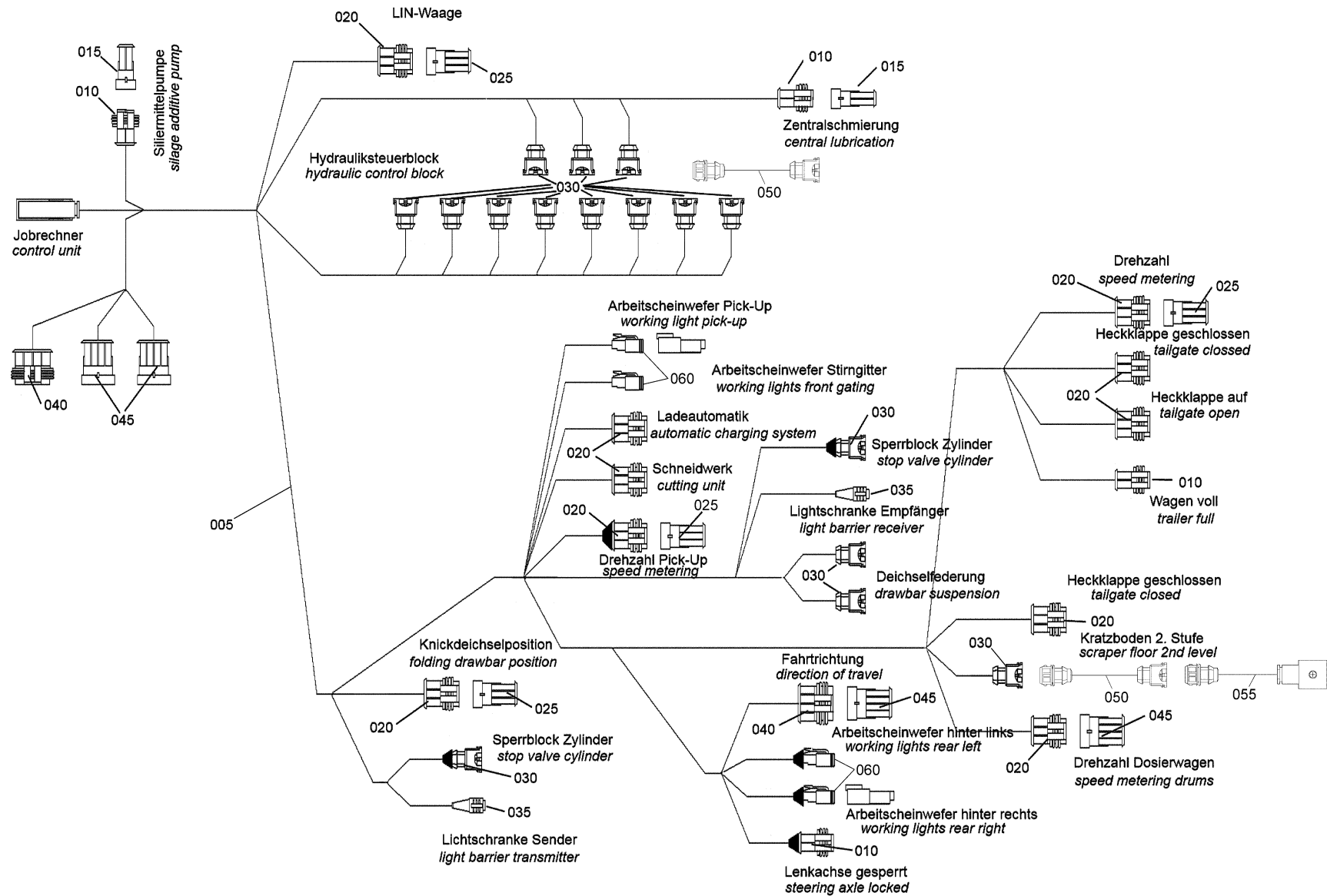
Pos.	Order No.	Pcs.	Description	Detailing	Dimension	Comment
005	41066711	1.0	parking brake crank handle tot			up to YOM 2015
010	87003480	2.0	thimble f rope DR6	ähnlich DIN 6899	6,0 / 7 / 28 / 18	
015	87003443	6.0	wire-rope clip f rope DR6			
020	86506991	#	steel rope		Dr 6,5mm / 6x19 + WSC	
025	86502087	1.0	hexagon screw ISO4017 galv		M 10 x 45	
030	18126500	1.0	rope pulley		Rd 60 x 19	
035	86500304	1.0	hexagon nut ISO7040 galv		N M 10	
040	71663700	1.0	parking brake tot			since YOM 2015
045	86500302	1.0	hexagon nut ISO7040 galv		N M 16	since YOM 2015
050	86501110	1.0	washer ISO7089-A 17 galv			since YOM 2015
055	86502071	1.0	hexagon screw ISO4017 galv		M 16 x 40	since YOM 2015
060	71629700	1.0	parking brake rocker tot			/ chassis 18t
065	51529102	2.0	sliding shaft		Rd 30 x 160	/ chassis 18t
070	86501107	4.0	washer ISO7089-A 15 galv			/ chassis 18t
075	86500306	2.0	hexagon nut ISO7040 galv		N M 14	/ chassis 18t
080	86504203	2.0	split-pin ISO1234 galv		4 x 40	/ chassis 18t



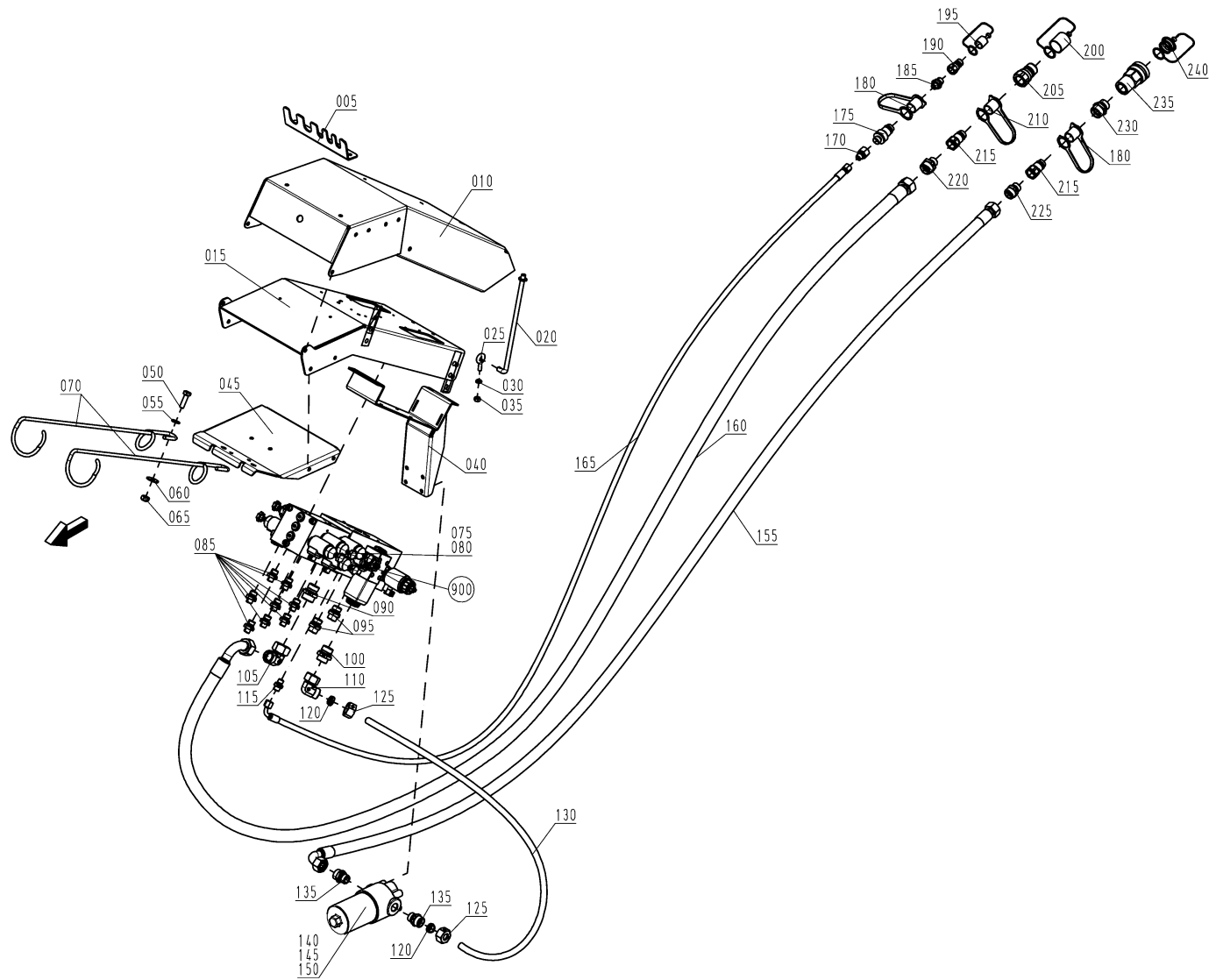
Pos.	Order No.	Pcs.	Description	Detailing	Dimension	Comment
005	41870626	1.0	easy-to-use control set	EL_STG_KMF_LW Bedienteil 20pol		
010	41870627	1.0	easy-to-use control set	EL_STG_KMF_LW Leistungsteil 20pol		
015	87008571	1.0	pin housing / accessories	EL_EKM_SGH_3 pol DIN 9680		
020	87008584	2.0	strain relief 2-ear clamp			
025	51570701	1.0	holder galv tot			
030	87008676	1.0	retrofitting 3-pin DIN9680 cpl	EL_KKB_ASK_Nachruestung 3pol DIN9680 kpl		



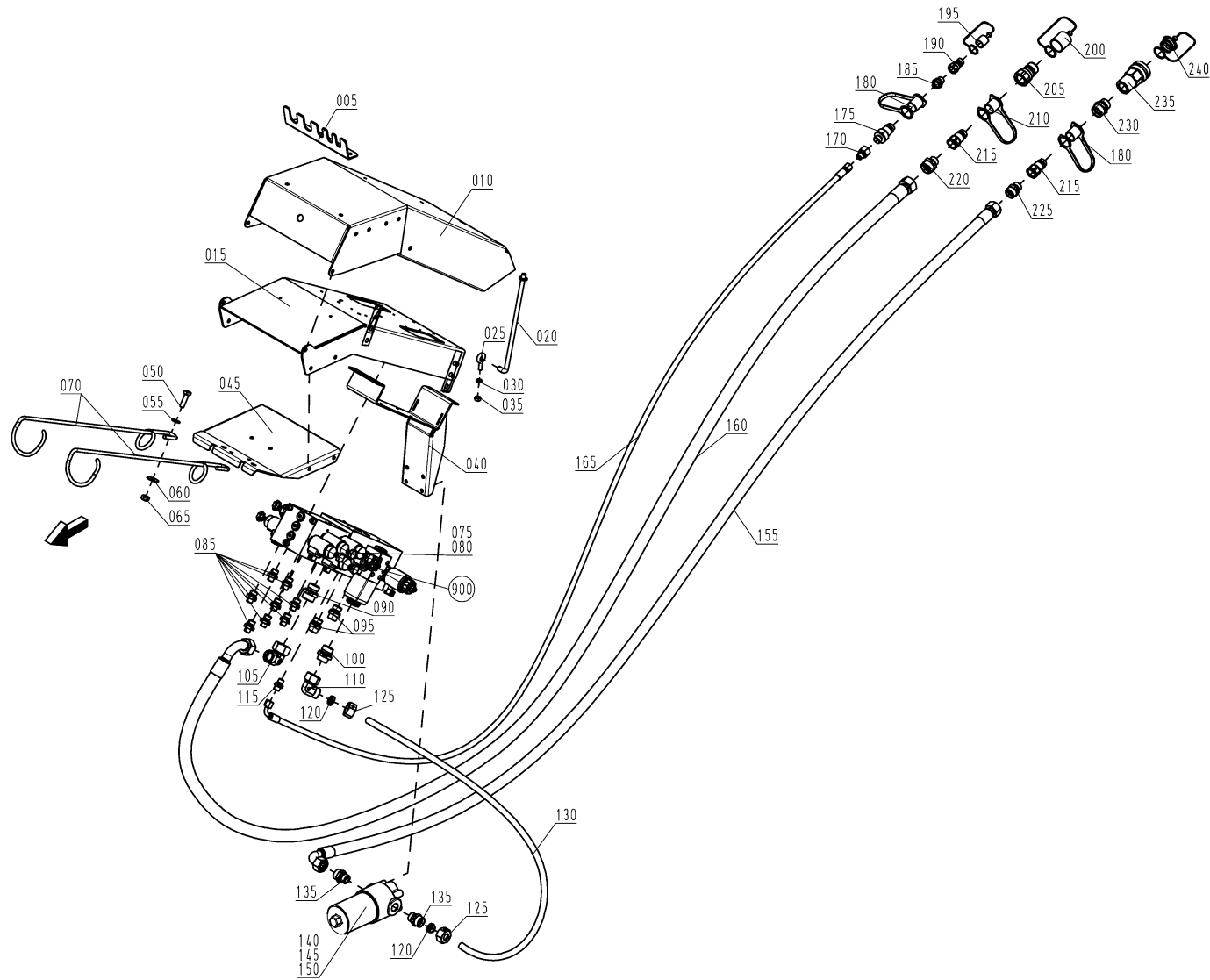
Pos.	Order No.	Pcs.	Description	Detailing	Dimension	Comment
005	57509500	1.0	ISOBUS control system	EL_STG_IB_FO 120 universal		
010	51570701	1.0	holder galv tot			
015	87011560	1.0	connecting cable	EL_KKB_ASK_ISO-BUS		
020	87011863	1.0	connecting cable	EL_KKB_ASK_ISO-BUS	Sonderlaenge 11m	
025	87008921	1.0	ISOBUS control system	EL_STG_ISO_Jobrechner LW		
030	87008922	1.0	ISOBUS control system	EL_STG_ISO_Jobrechner LW erw		
035	51570517	1.0	LIN module	EL_STG_IB_LIN Modul		
036	87011981	1.0	control system	EL_STG_UEB_LIN Modul LED		
040	87011870	1.0	connecting cable	EL_KKB_ASK_ISO JR 2.7m 9pol		
045	87008925	1.0	add-on socket	EL_KKB_ASK_Nachrueststeckdo se ISOBUS		
050	87001505	1.0	plug-in pocket Sibra galv		BI 5 x 50 x 185	
055	86513500	1.0	support tot			
060	86503760	1.0	holder			
065	86503762	1.0	support			



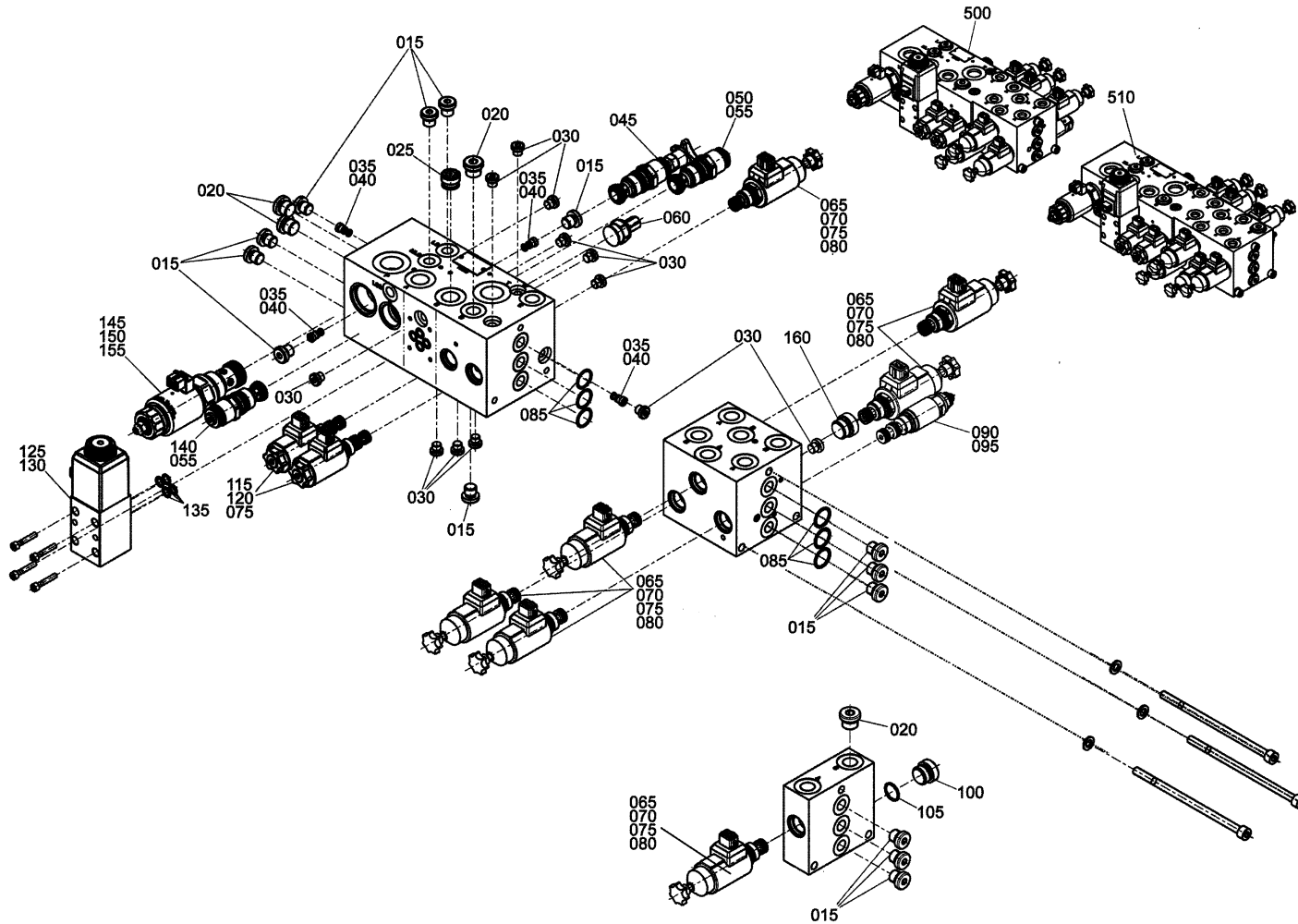
Pos.	Order No.	Pcs.	Description	Detailing	Dimension	Comment
005	57570645	1.0	cable harness forage trailer	EL_KKB_LW_ISOBUS GV II		
010	87008835	#	repair kit	EL_EKM_REP_SS 2pol kpl		
015	89006501	#	pin housing / accessories	EL_EKM_SGH_Blindstecker SS 2pol		
020	87008836	#	repair kit	EL_EKM_REP_SS 3pol kpl		
025	89006502	#	casing / accessories	EL_EKM_GEH_SS Blindstecker 3 pol		
030	87008896	#	repair kit	EL_EKM_REP_JPT 2pol		
035	87006802	#	cable			
040	87008837	#	repair kit	EL_EKM_REP_SS 4pol kpl		
045	89006503	#	casing / accessories	EL_EKM_GEH_SS Blindstecker 4 pol		
050	87011999	3.0	adapter cable	EL_KKB_ADP_JPT Loeschdiode		
055	87011856	1.0	adapter cable	EL_KKB_ADP_Hirschm - JPT		
060	87011950	4.0	repair kit	EL_EKM_REP_Deutsch DT 2pol		



Pos.	Order No.	Pcs.	Description	Detailing	Dimension	Comment
005	41070206	1.0	hose holder		Bl 3 x 92,8 x 215	
010	74422208	1.0	hydraulics protective device		Bl 2 x 552,3 x 843,5	
015	74470700	1.0	ramp tot			
020	51570702	1.0	support tot			
025	86503680	2.0	eyebolt galv		M 8 x 20 / "ARTIKEL 48"	
030	86500753	2.0	spring washer DIN127 galv		A 8	
035	86500203	2.0	hexagon nut ISO4032 galv		M 8	
040	74470701	1.0	valve holder tot			
045	74470201	1.0	valve holder		Bl 3 x 314,4 x 326	
050	86502030	2.0	hexagon screw ISO4017 galv		M 10 x 35	
055	86501106	2.0	washer ISO7089-A10.5 galv			
060	86501136	2.0	washer ISO7093 galv		A 10,5	
065	86500304	1.0	hexagon nut ISO7040 galv		N M 10	
070	51570510	2.0	hose holder		Dr 8 - 1050	
075	73570512	1.0	control block 90l f passive ste			/ chassis 15t, chassis 15t with passive steering
080	73570513	1.0	control block 90l f forced st			
085	87000511	8.0	screw-in bolt straight	HYV-GE-08-L-R-3/8-ROU-CF		
090	87000584	1.0	screw-in bolt straight	HYV-GE-22-L-R-3/4-ROU-CF		
095	87000484	2.0	screw-in bolt straight	HYV-GE-15-L-R-1/2-ROU-CF		
100	87000574	1.0	screw-in bolt straight	HYV-GE-18-L-R-3/4-ROU-CF		
105	87000594	1.0	standpipe elbow fitting	HYV-EVW-22-L-ROU-CF		
110	87000571	1.0	standpipe elbow fitting	HYV-EVW-18-L-ROU-CF		
115	86501088	1.0	screw-in bolt straight	HYV-GE-08-L-R-1/4-ED-ROU-CF		
120	87000635	2.0	progressive stop ring	HYV-PSR-18-L-CF		
125	87000663	2.0	union nut	HYV-M-18-L-CF		
130	86810062	#	precision steel tube seamless white galv		Ro 18 x 1,5 /HL 6000	
135	87000527	2.0	screw-in bolt straight	HYV-GE-18-L-M-22x1.5-ROU-CF		
140	87008886	1.0	in-line filter			
145	87008887	1.0	filter element		Dr 54 x 115	
150	86507588	1.0	O-ring		67,95 x 2,62	

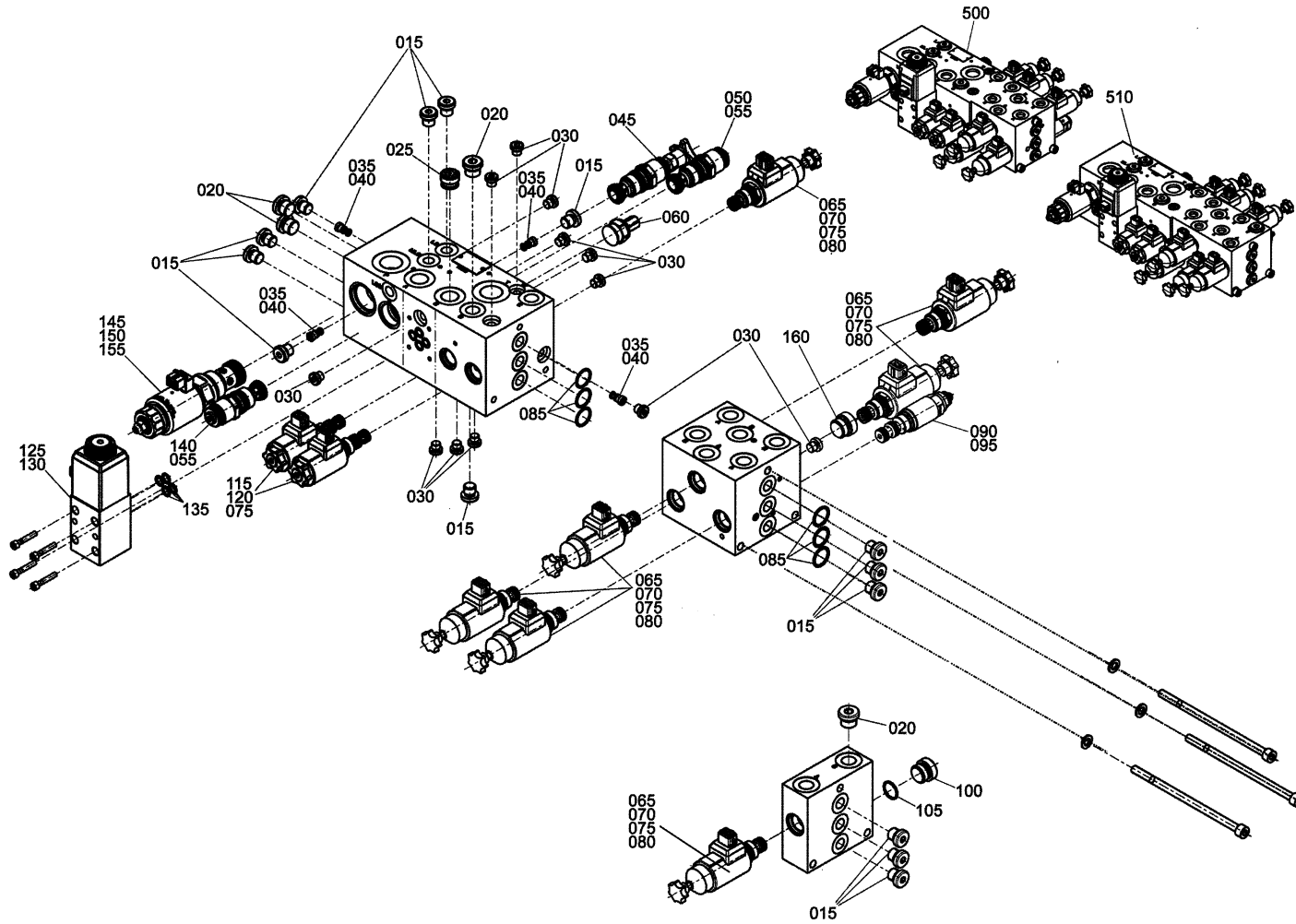


Pos.	Order No.	Pcs.	Description	Detailing	Dimension	Comment
155	87009826	1.0	hydraulic hose	HYS-2SN-16x2800-AO18L-AO18L90		
160	87004562	1.0	hydraulic hose	HYS-2SN-19x3000-AO22L-AO22L90		
165	87030466	1.0	hydraulic hose	HYS-1SN-06x2900-AO08L-AO08L90		
170	87000781	1.0	cone reducing fitting w taper	HYV-RED-12/08-L-ROU-CF		
175	87000411	1.0	plug-in coupling connector	HYKU-SKS-H-12L-GR3-CF		
180	87000406	2.0	dust protection cover	HYKU-ST-SKS-SK-GR3-ROT-KS		
185	87000511	1.0	screw-in bolt straight	HYV-GE-08-L-R-3/8-ROU-CF		
190	87000772	1.0	plug-in coupling connector	HYKU-SKS-IR-3/8-GR2-CF		
195	87006442	1.0	dust protection cover	HYKU-ST-SKS-SK-GR2-ROT-GU		
200	87001506	1.0	dust protection cover	HYKU-ST-SKS-SK-GR4-ROT-GU		
205	87000771	1.0	plug-in coupling connector	HYKU-SKS-IR-3/4-GR4-CF		
210	87000419	1.0	dust protection cover	HYKU-ST-SKS-SK-GR3-BLAU-KS		
215	87000416	2.0	plug-in coupling connector	HYKU-SKS-IM-22x1.5-GR3-CF		
220	87000585	1.0	screw-in bolt straight	HYV-GE-22-L-M-22x1.5-ROU-CF		
225	87000527	1.0	screw-in bolt straight	HYV-GE-18-L-M-22x1.5-ROU-CF		
230	87000584	1.0	screw-in bolt straight	HYV-GE-22-L-R-3/4-ROU-CF		
235	87000773	1.0	plug-in coupling sleeve	HYKU-SKM-IR-3/4-GR4-CF		
240	87008888	1.0	dust protection cover	HYKU-ST-SKM-SK-GR4-BLAU-GU		



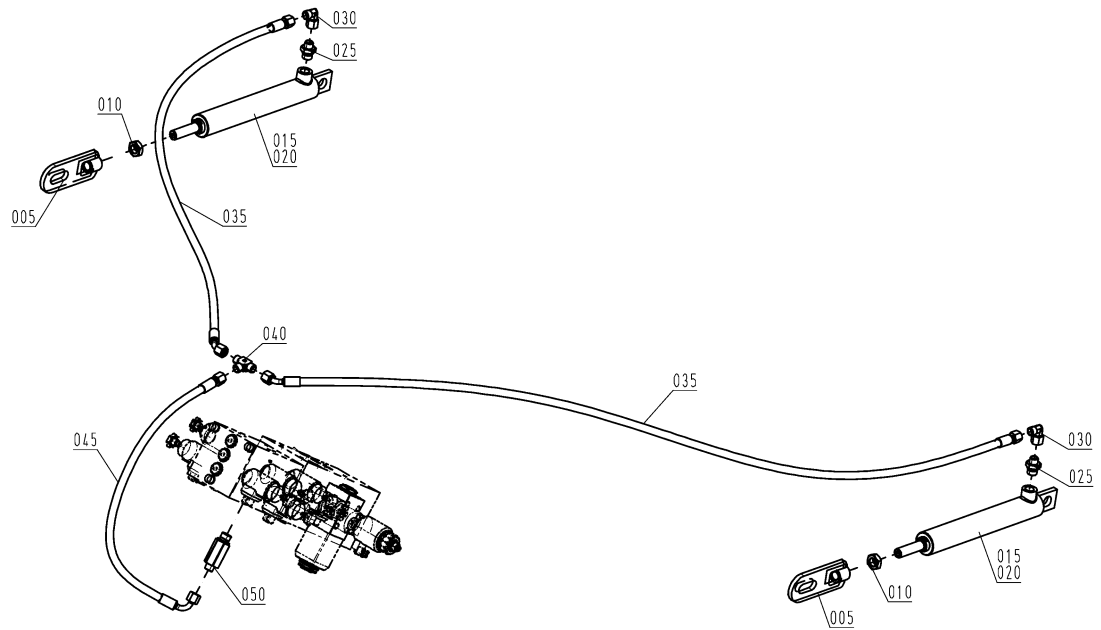
Zusatzscheibe EW für Nachlaufenkung
additional hydr element SA for follow-up steering

Pos.	Order No.	Pcs.	Description	Detailing	Dimension	Comment
015	86501406	11.0	plug f threaded ports	HYV-VSTI-R-1/4-ED-CF		
020	86503215	4.0	plug f threaded ports	HYV-VSTI-R-3/8-ED-CF		
025	57570552	1.0	check valve			
030	86503216	12.0	plug f threaded ports	HYV-VSTI-R-1/8-ED-CF		
035	57570536	#	shuttle valve cartridge			
040	86501061	#	seal kit f control block	HYDI-SB-Wechselventilpatrone-Buch		
045	57570516	1.0	pressure regulator			
050	57570525	1.0	bypass pressure regulator cartridge			
055	86501053	1.0	seal kit f control block	HYDI-SB-Bypass-Druckwaagepatro		
060	57570524	1.0	safety valve			
065	57570518	#	2/2-way magnetic valve			
070	86501058	#	seal kit f control block	HYDI-SB-2/2-Wegeventil-Bucher		
075	57570548	#	solenoid			
080	57570523	#	actuator			
085	57570533	6.0	O-ring			
090	57570521	1.0	3-way pressure reducing valve			
095	86501060	1.0	seal kit f control block	HYDI-SB-3 WegeDruckreduzierer		
100	57570515	1.0	dummy plug			
105	86507603	1.0	O-ring		17,17x1,78 N90	
115	57570549	2.0	3/2-way valve			
120	86501054	1.0	seal kit f control block	HYDI-SB-2/2-Wegeventil-Bucher		
125	57570550	1.0	4/2-dc slide valve			
130	86501059	1.0	seal kit f control block	HYDI-SB-4/2-Wegeventil-Bucher		
135	86507604	4.0	O-ring		9,25x1,78 N90	
140	57570526	1.0	bypass pressure regulator cartridge			
145	57570551	1.0	proportioning diaphragm			
150	73570508	1.0	spindle f valve MVRPS			
155	57570553	1.0	seal kit f control block	HYDI-SB-Proportionalventil Bucher		

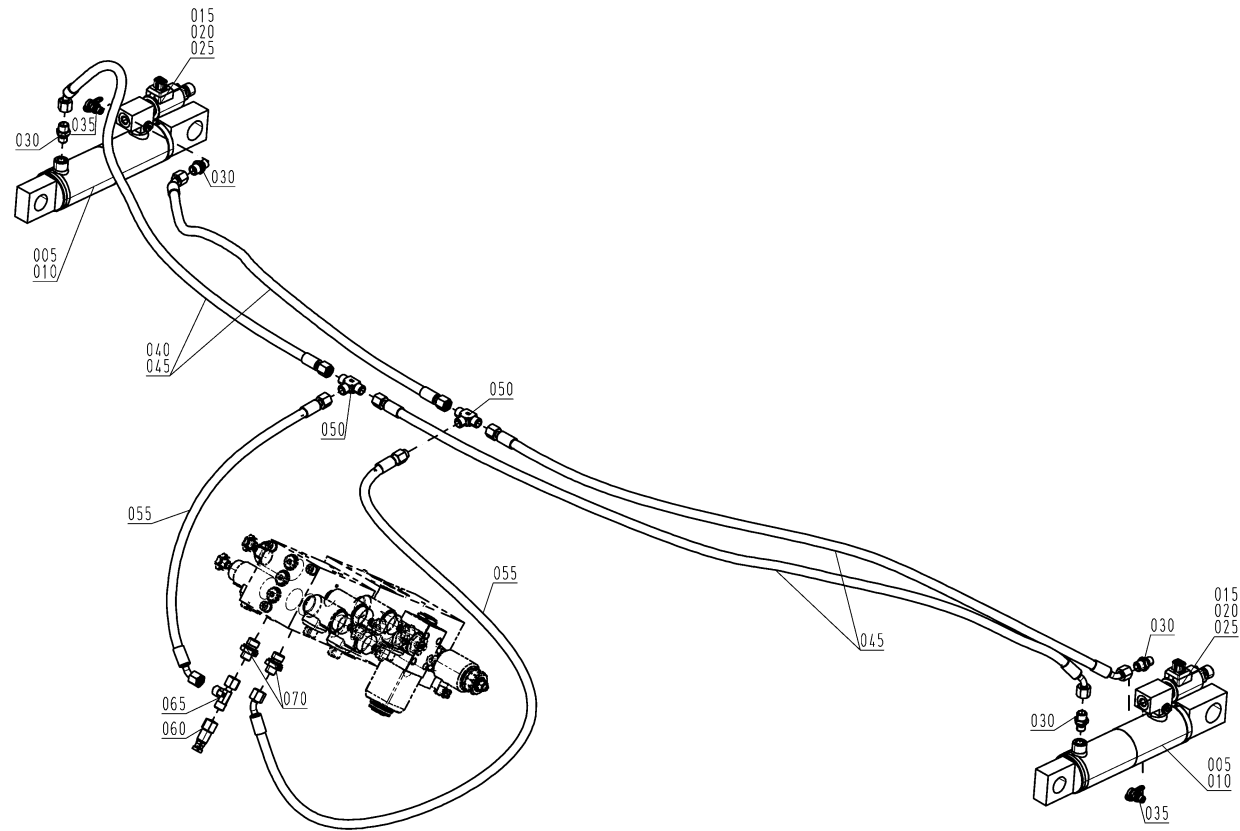


Zusatzscheibe EW für Nachlaufenkung
additional hydr element SA for follow-up steering

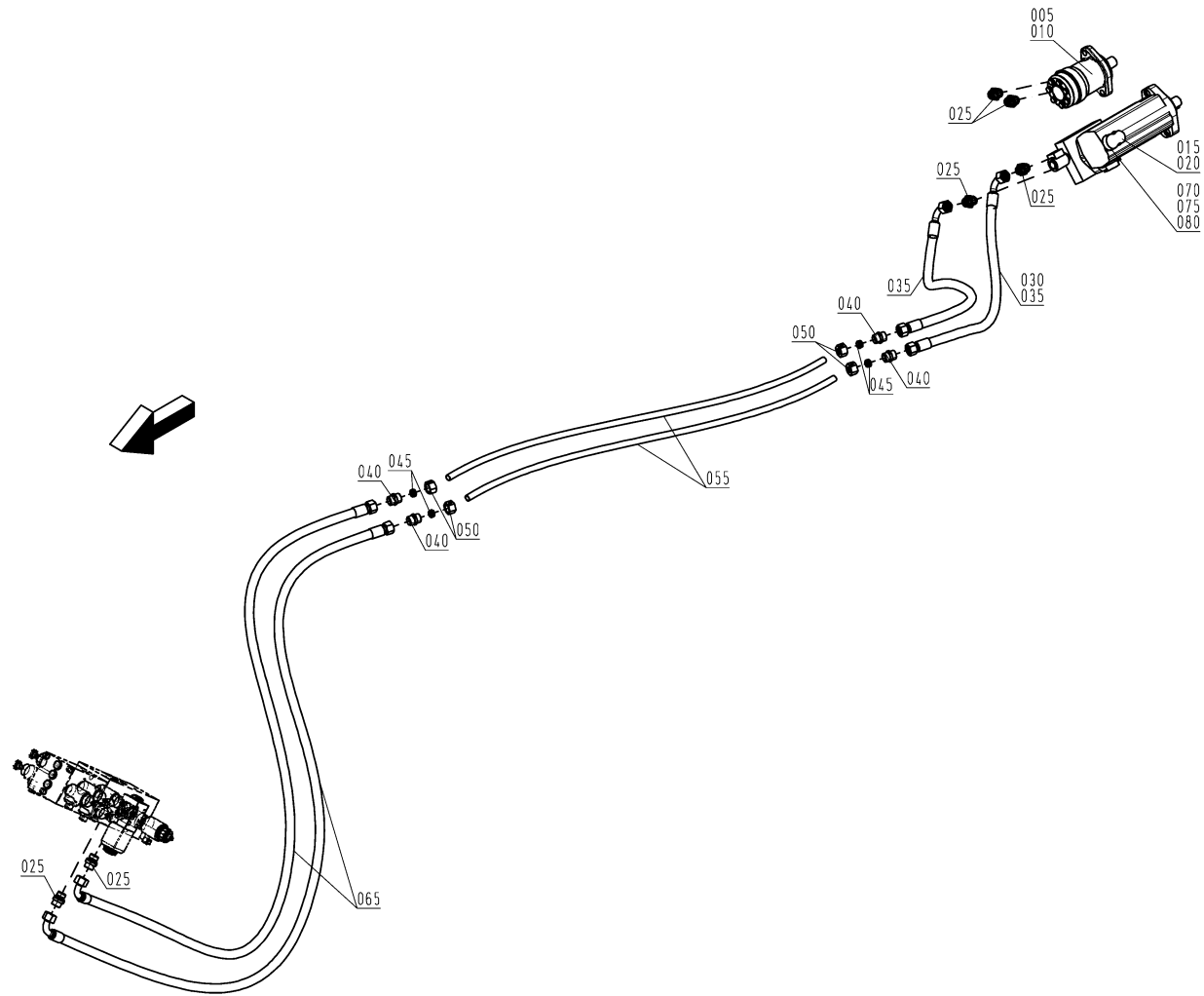
Pos.	Order No.	Pcs.	Description	Detailing	Dimension	Comment
500	73570512	1.0	control block 90l f passive ste			
510	73570513	1.0	control block 90l f forced st			



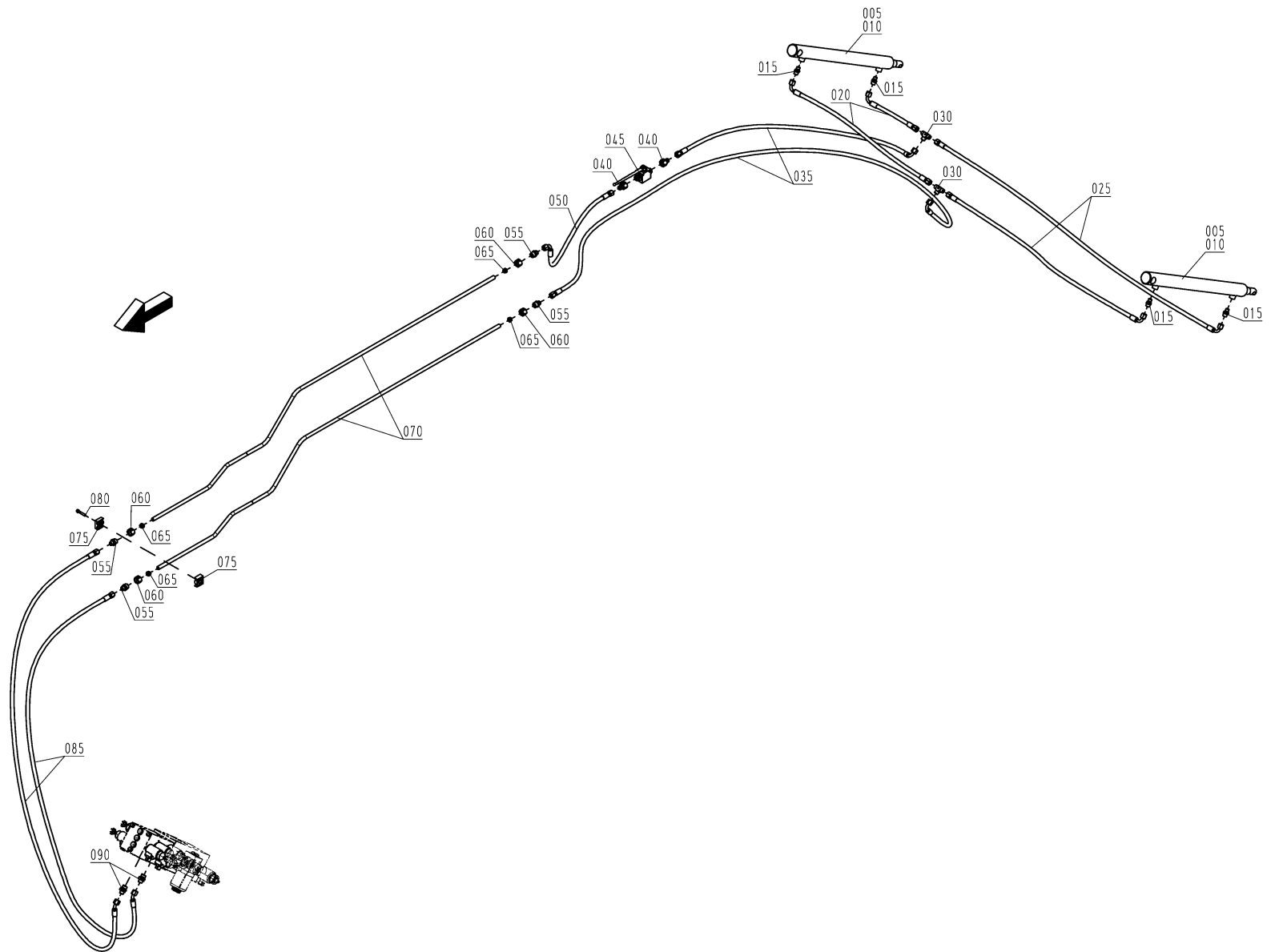
Pos.	Order No.	Pcs.	Description	Detailing	Dimension	Comment
005	73514717	2.0	lift lug tot galv			
010	86500002	2.0	hexagon nut flat-shaped		M 16	
015	36565500	2.0	hydraulic cylinder SA	HYZ-EW-025-355-195		
020	87001408	1.0	seal kit f hydraulic cylinder	HYDI-Z-EW-25-SHW		
025	87000463	2.0	screw-in bolt straight	HYV-GE-08-L-M-16x1.5-ROU-CF		
030	86501165	2.0	angle nozzle w taper	HYV-EW-08-L-ROU-CF		
035	87040243	2.0	hydraulic hose	HYS-1SN-06x1700-AO08L-AO08L45		
040	87000517	1.0	T-nozzle	HYV-T-08-L-ROU-CF		
045	87000847	1.0	hydraulic hose	HYS-1SN-06x500-AO08L-AO08L90		
050	87012804	1.0	double throttle 8LG3/8			



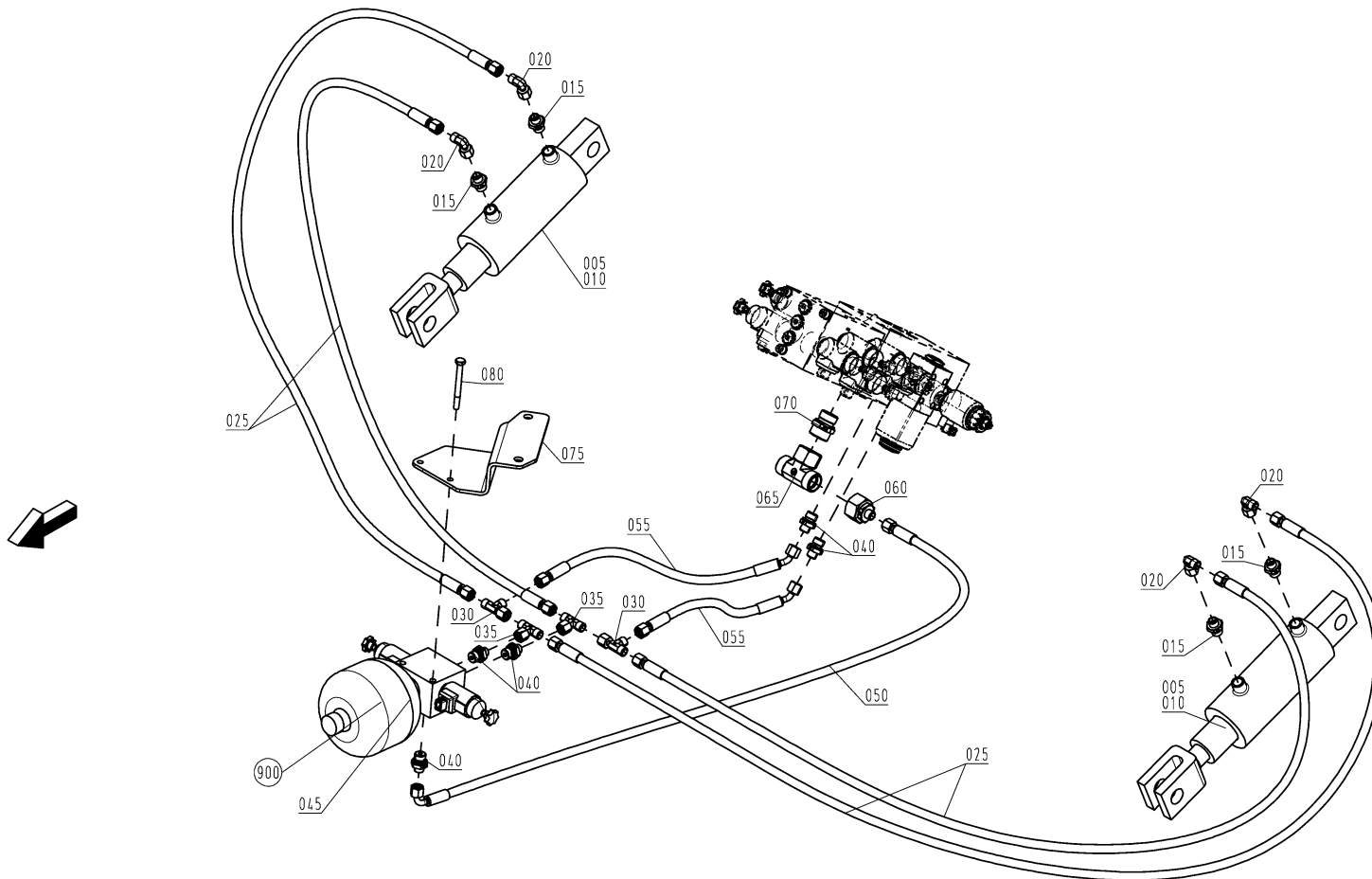
Pos.	Order No.	Pcs.	Description	Detailing	Dimension	Comment
005	73536502	2.0	hydraulic cylinder DA	HYZ-DW-050/025-310-120		
010	87003943	1.0	seal kit f hydraulic cylinder			
015	87009195	1.0	2/2-directional seat valve			
020	54015506	1.0	solenoid			
025	87009150	1.0	Hydac emergency hand operation			
030	87000459	4.0	screw-in bolt straight	HYV-GE-08-L-M-12x1.5-ROU-CF		
035	87001770	2.0	test port w plug-in coupling	HYV-EMA1-M-10x1-CF		
040	87004553	2.0	hydraulic hose	HYS-1SN-06x2450-AO08L-AO08L45		
045	87001095	4.0	hydraulic hose	HYS-1SN-06x2300-AO08L-AO08L45		
050	87000517	2.0	T-nozzle	HYV-T-08-L-ROU-CF		
055	87009748	2.0	hydraulic hose	HYS-1SN-06x700-AO08L-AO08L45		
060	87008784	1.0	test port w plug-in coupling f cones	HYV-VKA1-08-L-CF		
065	87000500	1.0	L-shaped standpipe fitting	HYV-EVL-08-L-ROU-CF		
070	87000511	2.0	screw-in bolt straight	HYV-GE-08-L-R-3/8-ROU-CF		



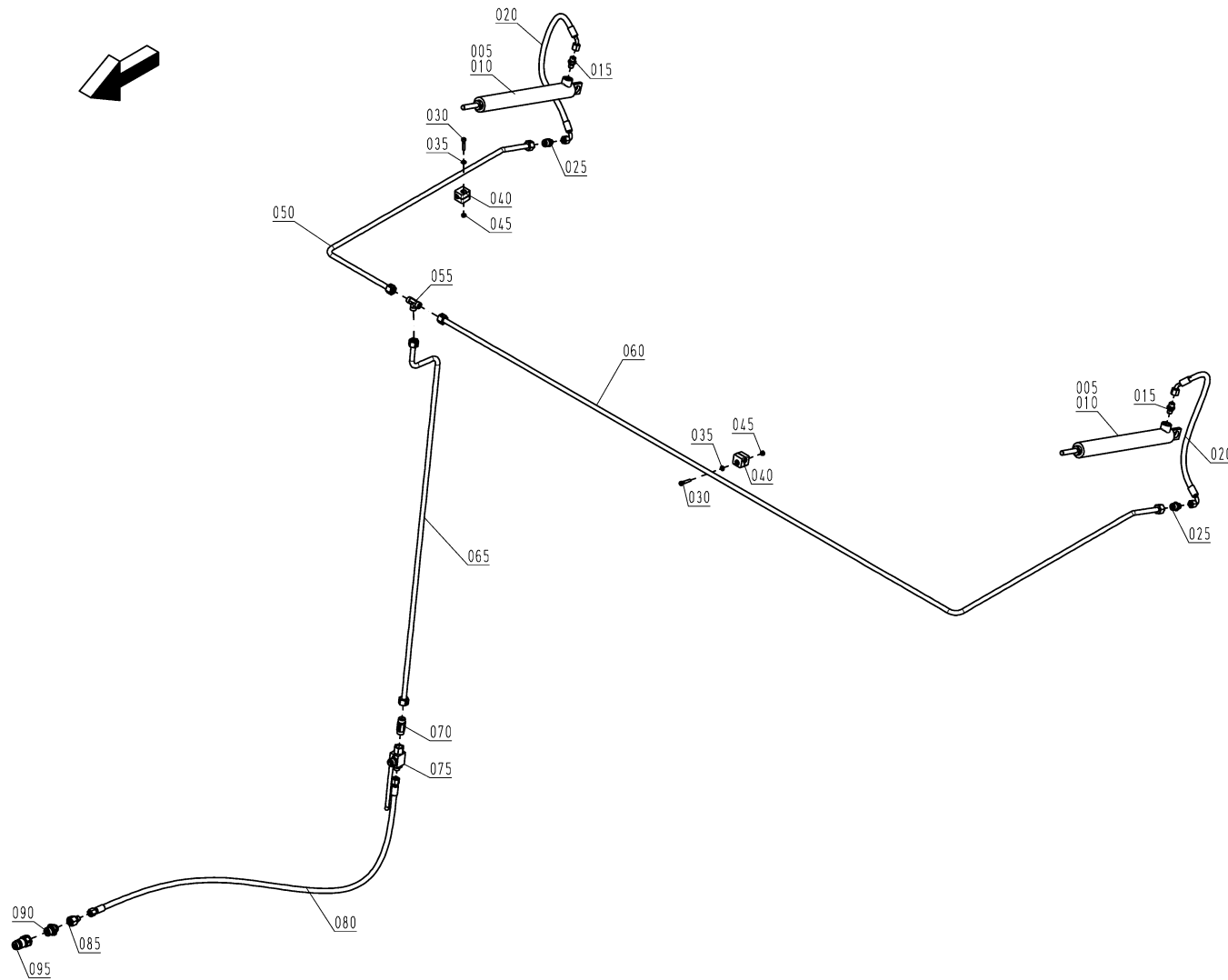
Pos.	Order No.	Pcs.	Description	Detailing	Dimension	Comment
005	87000069	1.0	hydraulic motor	HYM-B-1-ZR-125-OMP-X	OMP 125-25-2Loch	
010	87010315	1.0	seal kit f hydraulic motor	HYDI-M-OMP/OMR-25er_Welle-Danfoss		
015	87000064	1.0	2-stage hydraulic motor			
020	87010327	1.0	seal kit f hydraulic motor	HYDI-M-2-Stufen-Fluitronics		
025	87000484	4.0	screw-in bolt straight	HYV-GE-15-L-R-1/2-ROU-CF		
030	87000994	1.0	hydraulic hose	HYS-2SN-12x700-AO15L-AO15L90		
035	87000921	#	hydraulic hose	HYS-2SN-12x800-AO15L-AO15L90		
040	87000483	4.0	connector straight	HYV-G-15-L-ROU-CF		
045	87000643	4.0	progressive ring	HYV-DPR-15-L-CF		
050	87000642	4.0	union nut	HYV-M-15-L-CF		
055	86810050	#	precision steel tube seamless white galv		Ro 15 x 1,5 /HL 6000	
060	87000833	2.0	hydraulic hose	HYS-2SN-12x2000-AO15L-AO15L90		
065	87000973	2.0	hydraulic hose	HYS-2SN-12x2300-AO15L-AO15L90		
070	87009183	1.0	screw-in valve		SV08 - 30 - 0 - N	
075	87008919	1.0	USB-stick 8GB 2.0	STRAUTMANN	80x40x20	
080	87009184	1.0	solenoid			



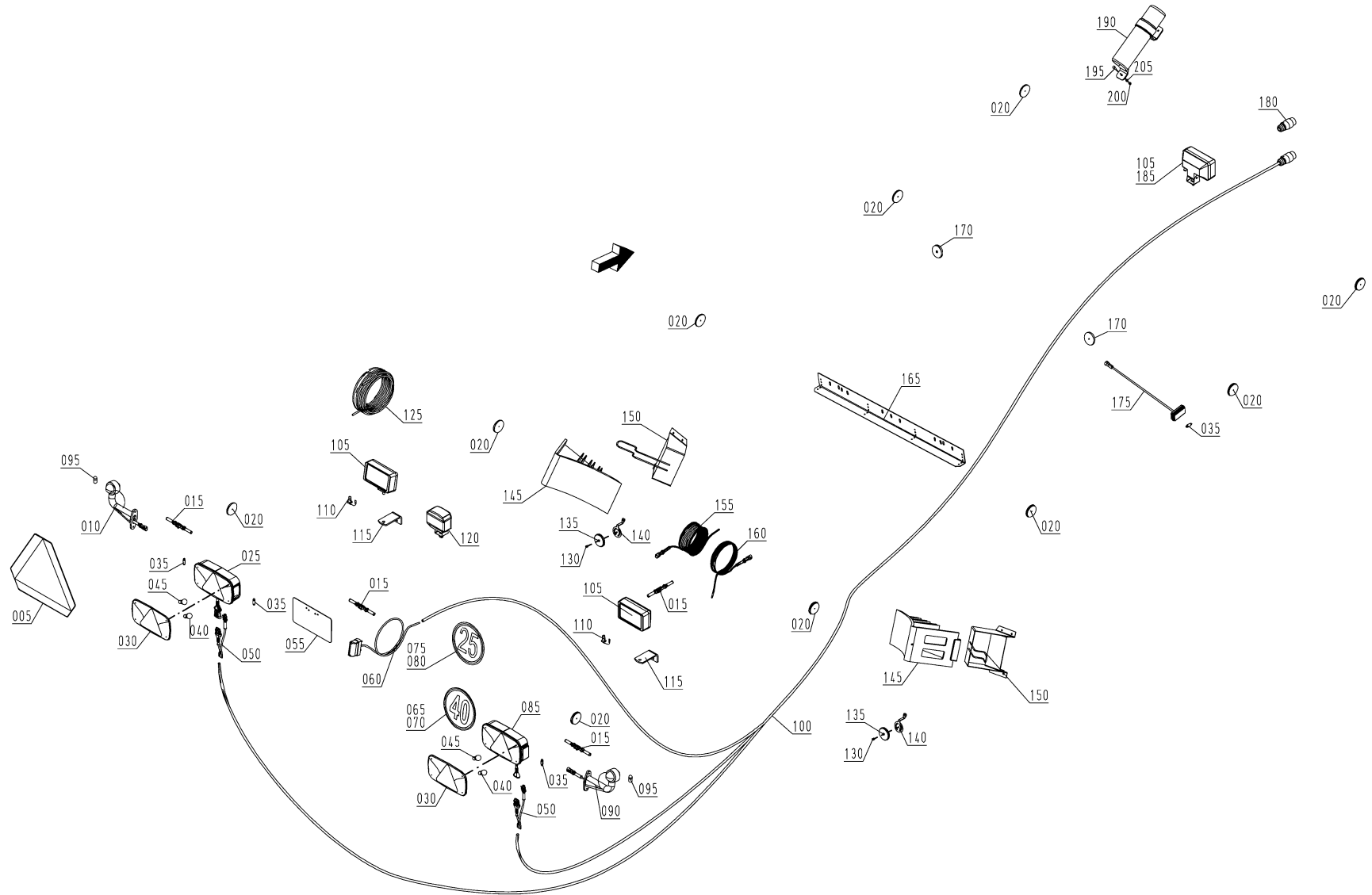
Pos.	Order No.	Pcs.	Description	Detailing	Dimension	Comment
005	43651502	2.0	hydraulic cylinder DA	HYZ-DW-35/25-585-415		
010	87001360	1.0	seal kit f hydraulic cylinder	HYDI-Z-DW-35/25-SHW		
015	87000459	4.0	screw-in bolt straight	HYV-GE-08-L-M-12x1.5-ROU-CF		
020	87000847	2.0	hydraulic hose	HYS-1SN-06x500-AO08L-AO08L90		
025	87000813	2.0	hydraulic hose	HYS-1SN-06x1800-AO08L-AO08L90		
030	87000517	2.0	T-nozzle	HYV-T-08-L-ROU-CF		
035	87000831	2.0	hydraulic hose	HYS-1SN-06x1300-AO08L-AO08L90		
040	87000464	2.0	tapered reducing screwed connection	HYV-KOR-12/08-L-ROU-CF		
045	31046502	1.0	ball-type stop cock galv	HYK-BKH-12L-DN10-CF-PN500		
050	87009740	1.0	hydraulic hose	HYS-1SN-06x400-AO08L-AO08L90		
055	87000475	4.0	reducing coupling straight	HYV-GR-12/08-L-ROU-CF		
060	87000561	4.0	union nut	HYV-M-12-L-CF		
065	87000588	4.0	progressive stop ring	HYV-PSR-12-L/S-CF		
070	86810047	#	precision steel tube seamless white galv		Ro 12 x 1,5 /HL 6000	
075	87001521	#	Stauff clamp double 112/12PP			
080	86502503	#	cheese-head screw ISO4762 galv		M 6 x 35	
085	87001095	2.0	hydraulic hose	HYS-1SN-06x2300-AO08L-AO08L45		
090	87000511	2.0	screw-in bolt straight	HYV-GE-08-L-R-3/8-ROU-CF		



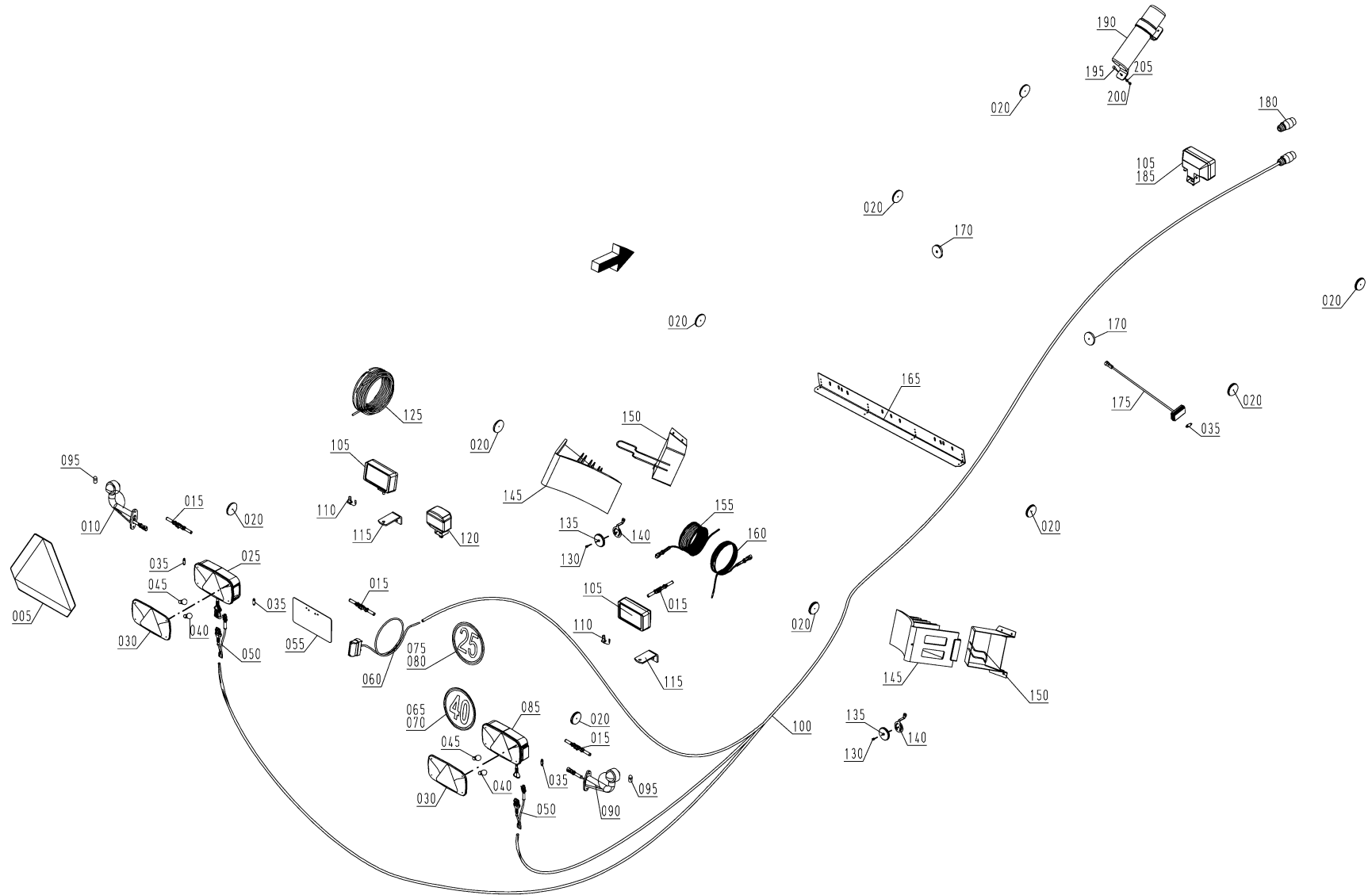
Pos.	Order No.	Pcs.	Description	Detailing	Dimension	Comment
005	74484500	2.0	hydraulic cylinder DA	HYZ-DW-070/050-385-100		
010	87001438	1.0	seal kit f hydraulic cylinder	HYDI-Z-DW-70/50-SHW		
015	87000463	4.0	screw-in bolt straight	HYV-GE-08-L-M-16x1.5-ROU-CF		
020	87000461	4.0	standpipe elbow fitting	HYV-EVW-08-L-ROU-CF		
025	87009817	4.0	hydraulic hose	HYS-1SN-06x500-AO08L-AO08L		
030	87000500	2.0	L-shaped standpipe fitting	HYV-EVL-08-L-ROU-CF		
035	87000474	2.0	T-screwed connection w shaft	HYV-EVT-08-L-ROU-CF		
040	87000511	5.0	screw-in bolt straight	HYV-GE-08-L-R-3/8-ROU-CF		
045	73270500	1.0	control block cpl			
050	87000920	1.0	hydraulic hose	HYS-1SN-06x300-AO08L-AO08L90		
055	87030021	2.0	hydraulic hose	HYS-1SN-06x350-AO08L-AO08L45		
060	86501160	1.0	cone reducing fitting w taper	HYV-RED-22/08-L-ROU-CF		
065	86501164	1.0	T-nozzle w taper	HYV-ET-22-L-ROU-CF		
070	87000584	1.0	screw-in bolt straight	HYV-GE-22-L-R-3/4-ROU-CF		
075	74470286	1.0	holder drawbar suspension		BI 5 x 162 x 213,2	
080	86502026	2.0	hexagon screw ISO4014 galv		M 8 x 80	



Pos.	Order No.	Pcs.	Description	Detailing	Dimension	Comment
005	24463500	2.0	hydraulic cylinder SA	HYZ-EW-025-45-270		
010	87001318	1.0	seal kit f hydraulic cylinder	HYDI-Z-EW-25-SHW		
015	87000459	2.0	screw-in bolt straight	HYV-GE-08-L-M-12x1.5-ROU-CF		
020	87030442	2.0	hydraulic hose	HYS-1SN-06x400-AO08L45-AO08L90		
025	87000475	2.0	reducing coupling straight	HYV-GR-12/08-L-ROU-CF		
030	86502445	#	cheese-head screw ISO4762 galv		M 6 x 30	
035	86501115	#	washer ISO7089-A 6.4 galv			
040	87001524	#	Stauff clamp 112PP			
045	86500202	#	hexagon nut ISO4032 galv		M 6	
050	74457606	1.0	hydr pipe line			
055	87000478	1.0	T-nozzle	HYV-T-12-L-ROU-CF		
060	74457607	1.0	hydr pipe line			
065	74457605	1.0	hydr pipe			
070	43307501	1.0	one-way check valve galv			
075	87000312	1.0	stop-cock galv		8L mit Bremergriff	
080	87001318	1.0	seal kit f hydraulic cylinder	HYDI-Z-EW-25-SHW		
085	87000781	1.0	cone reducing fitting w taper	HYV-RED-12/08-L-ROU-CF		
090	87000702	1.0	screw-in bolt straight	HYV-GE-12-L-M-22x1.5-ROU-CF		
095	87000416	1.0	plug-in coupling connector	HYKU-SKS-IM-22x1.5-GR3-CF		



Pos.	Order No.	Pcs.	Description	Detailing	Dimension	Comment
005	87012550	1.0	warning triangle panel f CH			
010	87005832	1.0	clearance lamp/banana-shaped le			
015	87008835	#	repair kit	EL_EKM_REP_SS 2pol kpl		
020	87005801	#	side reflectors		Dr 60	
025	87011896	1.0	lamp	EL_BEL_LEU_MFL li inkl SML		
030	87011915	1.0	repair kit	EL_BEL_REP_MFL Lichtscheibe klar		
035	87006986	#	lighting	EL_BEL_GLP_12V/5W soffitte C5W		
040	87006832	2.0	lighting	EL_BEL_GLP_12V 21W/5W		
045	87011916	2.0	lighting	EL_BEL_GLP_Blinker gelb 12V/21W		
050	51806503	2.0	connecting cable	EL_KKB_ASK_Y-Verteiler SS 4pol		
055	87005809	1.0	license plate white	4 Bohrungen	245 x 135 x 2 mm	
060	87011971	1.0	lamp	EL_BEL_LEU_Kennzeichenleuchte	240 x 130 x 82	
065	87007084	1.0	speed sign	GSS_40km/h D	Dr 200mm	
070	87012553	1.0	speed sign	GSS_40km/h CH	Dr 200mm	
075	87005811	1.0	speed sign	GSS_25km/h D	Dr 200mm	
080	87012552	1.0	speed sign	GSS_25km/h CH	Dr 200mm	
085	87011899	1.0	lamp	EL_BEL_LEU_MFL re inkl SML		
090	87005835	1.0	clearance lamp/banana-shaped ri			
095	87005836	1.0	lighting	EL_BEL_GLP_12V/5W/BA15s		
100	51806509	1.0	connecting cable	EL_KKB_ASK_Beleuchtung m Vorb SML		
105	87006852	3.0	additional lighting	EL_BEL_ZUS_Arbeitsscheinwerfer		
110	87005846	2.0	lighting	EL_BEL_GLP_12V/55W/H3		
115	50406001	2.0	lug		Bl 6 x 50 x 140	
120	88004576	1.0	work light	EL_BEL_ASW_LED Powerbeam 1000		
125	89005535	#	PVC control cable		2 x 1,50mm ²	



Pos.	Order No.	Pcs.	Description	Detailing	Dimension	Comment
130	86503835	2.0	blind rivet		Dr 4,8 x 9,0	
135	87005805	2.0	reflector Dr60 red			
140	74427206	2.0	reflector bracket		Bl 2 x 62 x 113,4	
145	55206504	2.0	plastic chock G46			
150	87004334	2.0	holder for chock G46 galv			
155	51570647	1.0	switch cable	EL_KKB_SLT_SS 2 pol l=5000		
160	51570648	1.0	switch cable	EL_KKB_SLT_SS 2pol l=1500		
165	57570204	1.0	hose holder axle support		Bl 2 x 115 x 1000	
170	87005845	2.0	reflector white			
175	87011912	1.0	lamp	EL_BEL_LEU_Begrenzung weiss		
180	87006744	1.0	pin housing / accessories	EL_EKM_SGH_Beleuchtung 7 pol		
185	89006504	2.0	work light	EL_BEL_ASW_LED 12-36V 20W		
190	88001524	1.0	box f operating instructions			
195	86502008	2.0	hexagon screw ISO4017 galv		M 6 x 20	
200	86500202	2.0	hexagon nut ISO4032 galv		M 6	
205	86501115	2.0	washer ISO7089-A 6.4 galv			

Verfasser	Freigeber	Freigabedatum	Sprache
Marta Szwargot	AxF	27.10.2015	EN

Zuordnung	
PG	Ladewagen
WG	Zelon CFS
Modell	2501 / 2501 DO / 2901 / 2901 DO / 3301 / 3301 DO